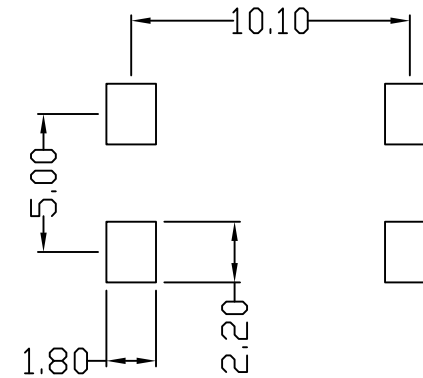
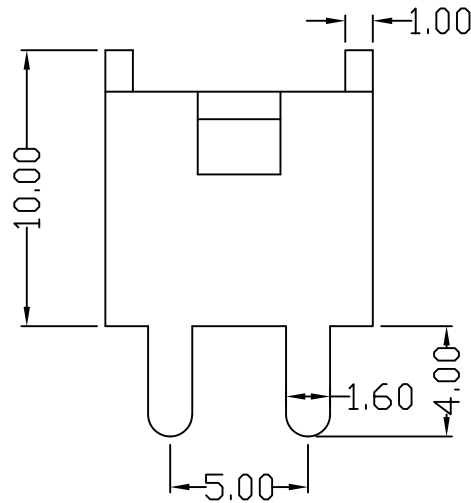
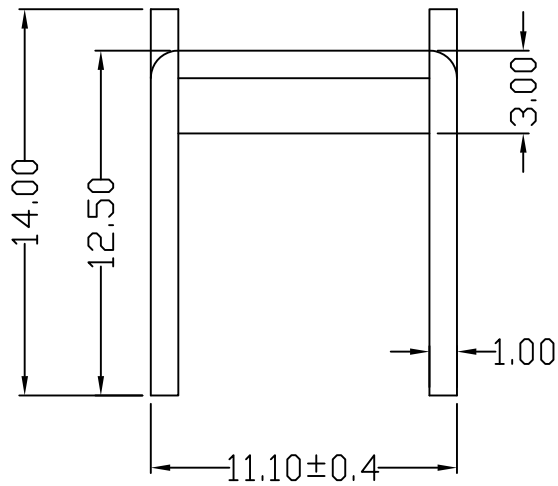
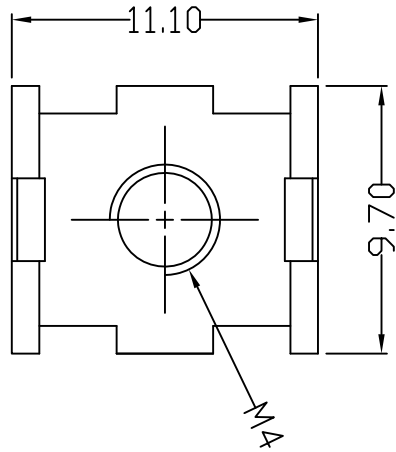


| 序号/Rev No | 名称/Title | 材料/Material | 文件编号/File No |
|-----------|---------------|------------------|--------------|
| 1 | 端子/Pin Header | Brass, Sn Plated | |
| 2 | 螺母/Nut | CPCC | |
| | | | |
| | | | |



PCB LAYOUT

注/Note

额定电流/Rated Current (A) : 50

额定扭矩/Rated torque (N · m) : 2.0

螺孔/Screw hole: M4

| 未注公差/Undeclared tolerance | | | | | | | | | | | | | | | |
|------------------------------------|-------------|--------------|---------------|--------------|---------------|---------------|---------------|---------------|---------------|---------------|---------------|----------------|-----------------|-----------------|-----------------|
| Plastic parts Dimension(mm) | 0 ~ 1 | 1 ~ 3 | 3 ~ 6 | 6 ~ 10 | 10 ~ 15 | 15 ~ 22 | 22 ~ 30 | 30 ~ 40 | 40 ~ 53 | 53 ~ 70 | 70 ~ 90 | 90 ~ 120 | 120 ~ 160 | 160 ~ 200 | 200 ~ 250 |
| Solder needle length Dimension(mm) | 1 ~ 6 | 6 ~ 10 | 10 ~ 15 | | | | | | | | | | | | |
| | ±0.10 | ±0.11 | ±0.12 | ±0.14 | ±0.17 | ±0.20 | ±0.24 | ±0.28 | ±0.33 | ±0.40 | ±0.50 | ±0.60 | ±0.75 | ±0.95 | ±1.15 |
| | ±0.3 | ±0.35 | ±0.45 | | | | | | | | | | | | |

| 设计/Designed by | 绘图/Drawing by | 审核/Checked by | 批准/Approved by |
|----------------|---------------|---------------|----------------|
| | | | |
| | | 图名/Title | 文件编号/File No. |
| | | XYMV41040 | QJ/XYT-M101100 |
| | | 版本/VER | 00 |
| | | 备注/Remark | 单位/Units: mm |

| 序号/RevNo. | 更改记录/Revision note | 签名/Signature | 日期/Date |
|-----------|--------------------|--------------|---------|
| | | | |