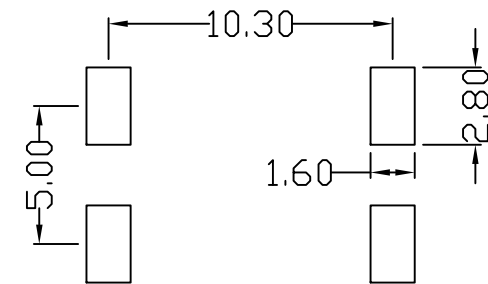
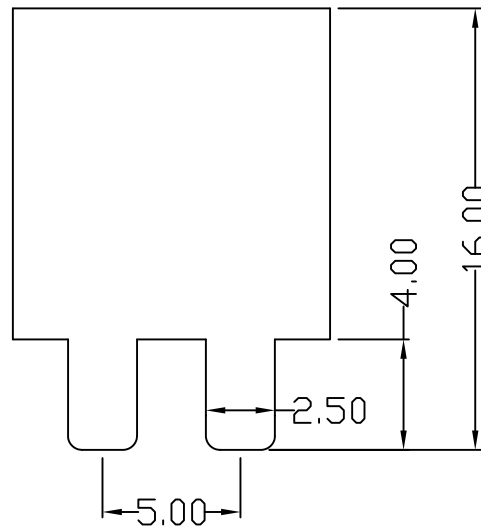
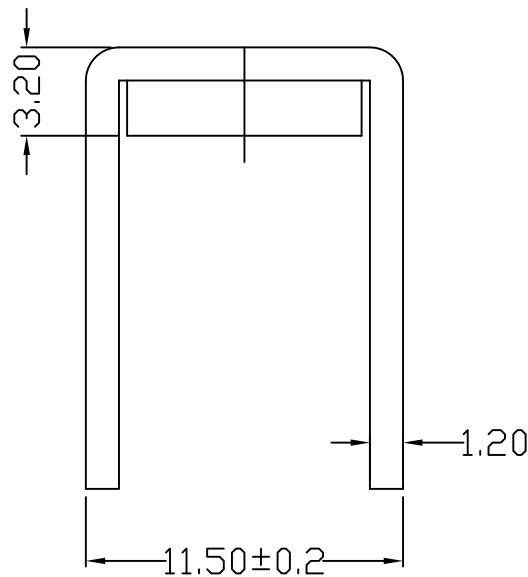
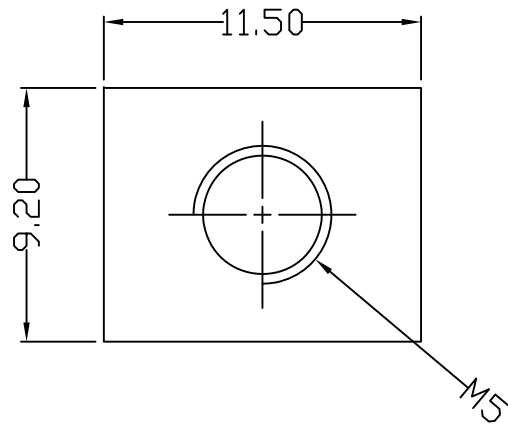


| 序号/Rev No | 名称/Title      | 材料//Material          | 文件编号/File No |
|-----------|---------------|-----------------------|--------------|
| 1         | 端子/Pin Header | red copper, Sn Plated |              |
| 2         | 螺母/Nut        | CPCC                  |              |
|           |               |                       |              |
|           |               |                       |              |



PCB LAYOUT

注/Note

额定电流/Rated Current (A): 80

额定扭矩/Rated torque (N · m): 3.6

螺孔/Screw hole: M5

| 未注公差/Undeclared tolerance          |             |              |               |              |               |               |               |               |               |               |               |                |                 |                 |                 |
|------------------------------------|-------------|--------------|---------------|--------------|---------------|---------------|---------------|---------------|---------------|---------------|---------------|----------------|-----------------|-----------------|-----------------|
| Plastic parts Dimension(mm)        | 0<br>~<br>1 | 1<br>~<br>3  | 3<br>~<br>6   | 6<br>~<br>10 | 10<br>~<br>15 | 15<br>~<br>22 | 22<br>~<br>30 | 30<br>~<br>40 | 40<br>~<br>53 | 53<br>~<br>70 | 70<br>~<br>90 | 90<br>~<br>120 | 120<br>~<br>160 | 160<br>~<br>200 | 200<br>~<br>250 |
| Solder needle length Dimension(mm) | 1<br>~<br>6 | 6<br>~<br>10 | 10<br>~<br>15 |              |               |               |               |               |               |               |               |                |                 |                 |                 |
|                                    | ±0.10       | ±0.11        | ±0.12         | ±0.14        | ±0.17         | ±0.20         | ±0.24         | ±0.28         | ±0.33         | ±0.40         | ±0.50         | ±0.60          | ±0.75           | ±0.95           | ±1.15           |
|                                    | ±0.3        | ±0.35        | ±0.45         |              |               |               |               |               |               |               |               |                |                 |                 |                 |

| 设计/Designed by | 绘图/Drawing by | 审核/Checked by | 批准/Approved by |
|----------------|---------------|---------------|----------------|
|                |               |               |                |
|                |               | 图名/Title      | 文件编号/File No.  |
|                |               | XYMV42010     | QJ/XYT-M101400 |
|                |               | 版本/VER        | 00             |
|                |               | 备注/Remark     | 单位/Units: mm   |

| 序号/RevNo. | 更改记录/Revision note | 签名/Signature | 日期/Date |
|-----------|--------------------|--------------|---------|
|           |                    |              |         |