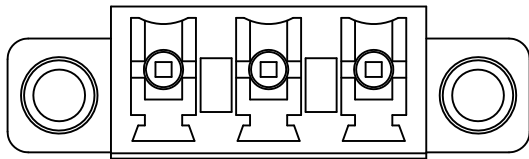
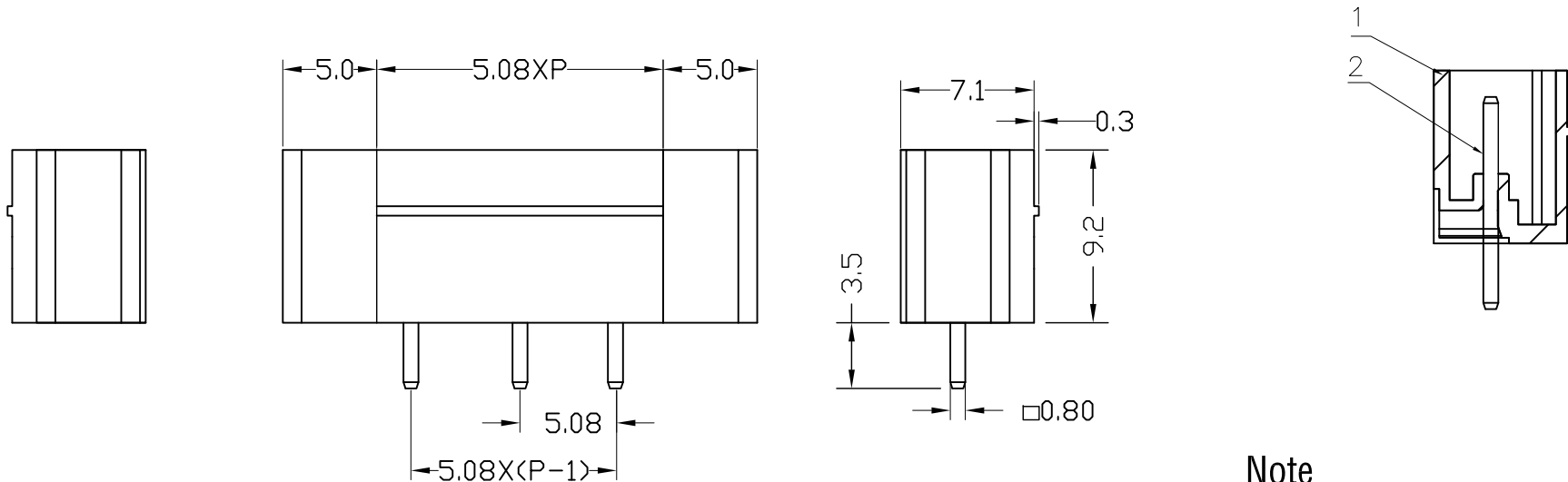


序号/NO	名称/TITLE	图纸号/DWG. NO.	材料/MATERIAL
1	XY2500VK-塑壳		PA66(UL94-V0)
2	焊锡针		Brass,Sn Plated
2	螺母		Brass,Sn Plated



Note

Poles: P=(2P~12P)

Pitch: 5.08mm

Use and Performance

Rated voltage:300V

Rated current:8A

Withstanding voltage:AC2000V/Min

Ambient temperature:-40℃~+105℃

未注公差/Undeclared tolerance															
Plastic parts Dimension(mm)	0 ~ 1	1 ~ 3	3 ~ 6	6 ~ 10	10 ~ 15	15 ~ 22	22 ~ 30	30 ~ 40	40 ~ 53	53 ~ 70	70 ~ 90	90 ~ 120	120 ~ 160	160 ~ 200	200 ~ 250
Solder needle length Dimension(mm)	±0.10	±0.11	±0.12	±0.14	±0.17	±0.20	±0.24	±0.28	±0.33	±0.40	±0.50	±0.60	±0.75	±0.95	±1.15
	±0.3	±0.35	±0.45												

设计/Designed by	绘图/Drawing by	审核/Checked by	批准/Approved by
		图名/Title	文件编号/File No.
		XY2500VKS-5.08	QJ/XYT-A102800
		版本/VER	00
		备注/Remark	单位/Units: mm

序号/RevNo.	更改记录/Revision note	签名/Signature	日期/Date