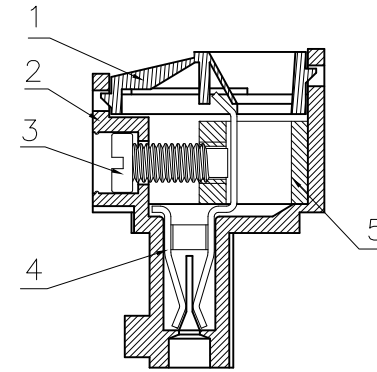


序号/NO	名称/TITLE	图纸号/DWG. NO.	材料/MATERIAL
1	XY2500K-塑盖		PA66(UL94-V0)
2	XY2500K-塑盖		PA66(UL94-V0)
3	XY2500F-C 螺丝		M2,Steel,Zinc Plated
4	XY2500F-C 端子		Phosphor Bronze,Nickel Plated
5	XY2500F-C 铜方块		Brass,Nickel Plated
6	耳朵螺丝		Brass,Nickel Plated



**Note**

Poles: P=(2P~12P)

Pitch: 5.08mm

**Use and Performance**

Rated voltage:300V

Rated current:8A

Withstanding voltage:AC2000V/Min

Ambient temperature:-40℃~+105℃

未注公差/Undeclared tolerance															
Plastic parts Dimension(mm)	0	1	3	6	10	15	22	30	40	53	70	90	120	160	200
	±0.10	±0.11	±0.12	±0.14	±0.17	±0.20	±0.24	±0.28	±0.33	±0.40	±0.50	±0.60	±0.75	±0.95	±1.15
Solder needle length Dimension(mm)															

设计/Designed by	绘图/Drawing by	审核/Checked by	批准/Approved by
		图名/Title	文件编号/File No.
		XY2500KS-5.08	QJ/XYT-A102500
		版本/VER	00
		备注/Remark	单位/Units: mm

序号/RevNo.	更改记录/Revision note	签名/Signature	日期/Date