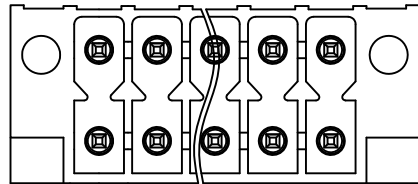
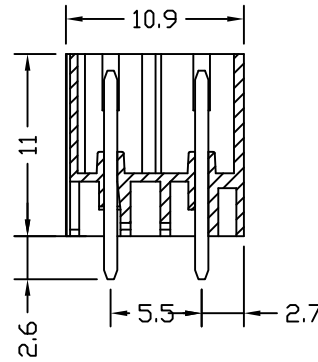
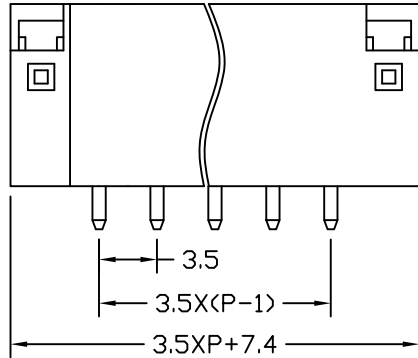


序号/Rev No	名称/Title	材料//Material	文件编号/File No
1	XY2500VHCS-3.5塑壳	PA66 (UL94V-0)	QJ/XYT-A202500
2	直针 0.8X12.6mm	铜 (镀锡)	QJ/XYT-A300700



Note

Poles: $P=2 \times (2P \sim 20P)$

Pitch: 3.5mm

Use and Performance

Wire range: 28-16AWG, 1.5mm²

Strip length: 9-10mm

Rated voltage: 300V

Rated current: 8A

Withstanding voltage: AC2500V/Min

Ambient temperature: -40 °C ~ +105 °C

未注公差/Undeclared tolerance															
Plastic parts Dimension(mm)	0 ~ 1	1 ~ 3	3 ~ 6	6 ~ 10	10 ~ 15	15 ~ 22	22 ~ 30	30 ~ 40	40 ~ 53	53 ~ 70	70 ~ 90	90 ~ 120	120 ~ 160	160 ~ 200	200 ~ 250
Solder needle length Dimension(mm)	1 ~ 6	6 ~ 10	10 ~ 15												
	±0.10	±0.11	±0.12	±0.14	±0.17	±0.20	±0.24	±0.28	±0.33	±0.40	±0.50	±0.60	±0.75	±0.95	±1.15
	±0.3	±0.35	±0.45												

设计/Designed by	绘图/Drawing by	审核/Checked by	批准/Approved by
		图名/Title	文件编号/File No.
		XY2500VHCG-3.5	QJ/XYT-A101600
		版本/VER	00
		备注/Remark	单位/Units: mm

XINLAIYA 新莱亚电子
XINLAIYA ELECTRONIC CO., LTD

序号/RevNo.	更改记录/Revision note	签名/Signature	日期/Date