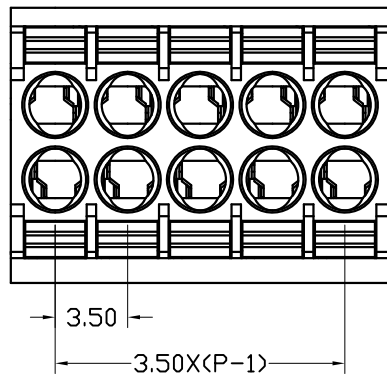
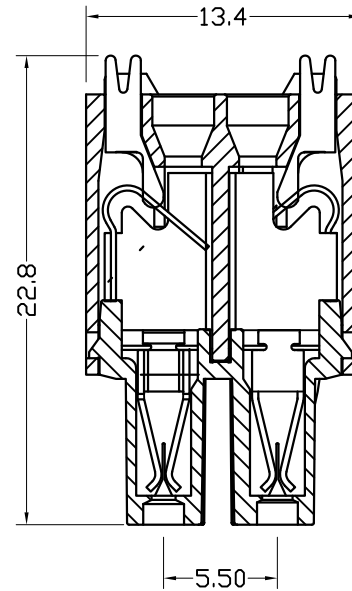
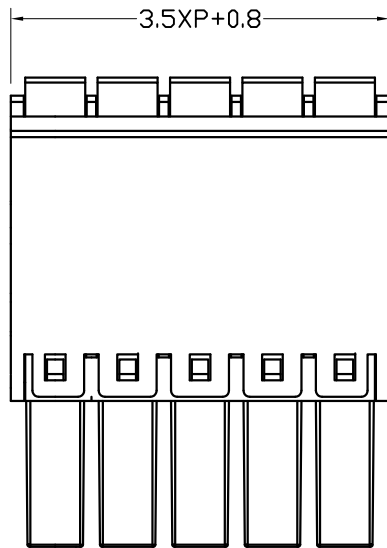


序号/Rev No	名称/Title	材料/Material	文件编号/File No
1	XY2500KNH-3.5塑壳	PA66 (UL94V-0)	QJ/XYT-A201900
2	XY2500KNH-3.5下盖	PA66 (UL94V-0)	QJ/XYT-A202200
3	XY2500KN按钮	PA66 (UL94V-0)	QJ/XYT-A200600
4	XY2500KN端子	铜+不锈钢 (镀锡)	QJ/XYT-A300300



Note

Poles: P=2x(2P~20P)

Pitch: 3.5mm

Use and Performance

Wire range:28~16AWG, 1.5mm²

Strip length:9~10mm

Rated voltage:300V

Rated current:8A

Withstanding voltage:AC2500V/Min

Ambient temperature:-40℃~+105℃

Undeclared tolerance:DIN16901-140B

未注公差/Undeclared tolerance:DIN 16901-140B

尺寸(mm) Dimension(mm)	0 1	1 3	3 6	6 10	10 15	15 22	22 30	30 40	40 53	53 70	70 90	90 120	120 160	160 200	200 250
	±0.10	±0.11	±0.12	±0.14	±0.17	±0.20	±0.24	±0.28	±0.33	±0.40	±0.50	±0.60	±0.75	±0.95	±1.15

设计/Designed by	绘图/Drawing by	审核/Checked by	批准/Approved by
			图名/Title
			文件编号/File No.
			QJ/XYT-A101200
			版本/VER
			00
			备注/Remark
			单位/Units:
			mm

序号/RevNo.	更改记录/Revision note	签名/Signature	日期/Date