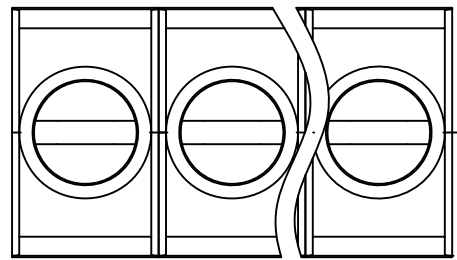
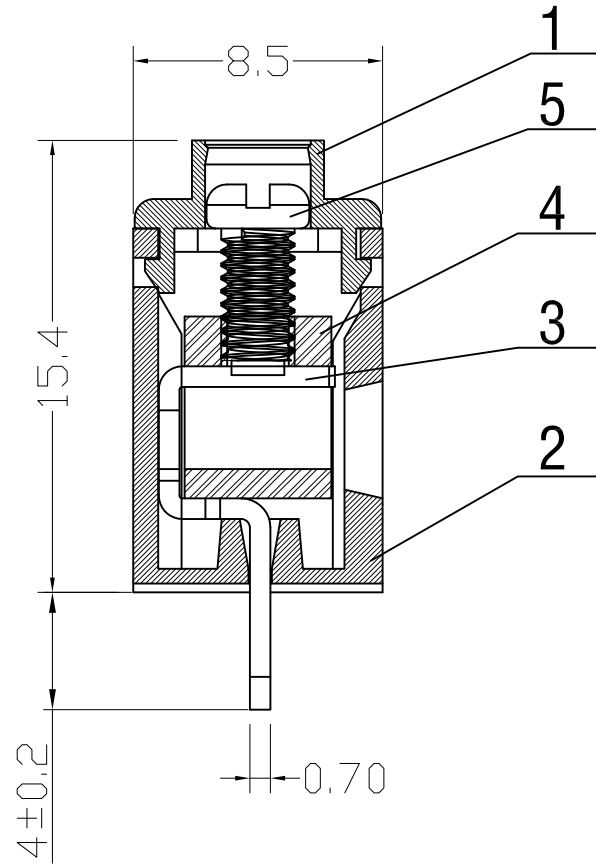
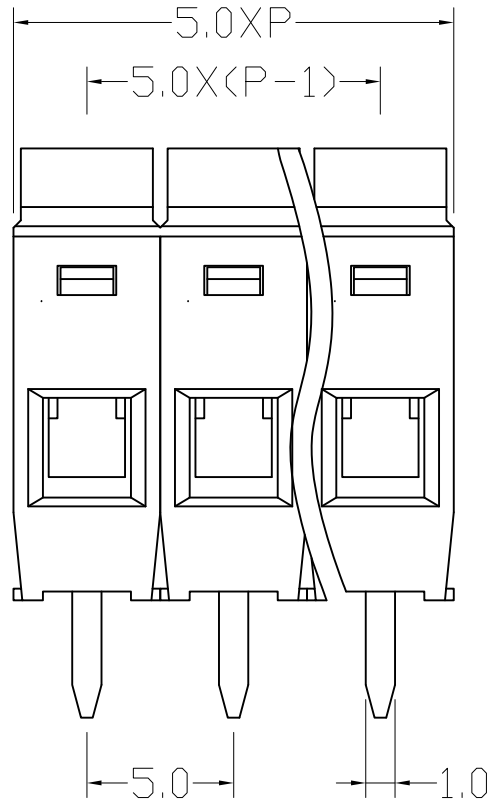


序号/RevNo.	名称/Title	文件编号/File No.
1	XY169 上盖	QJ/XYT-2195101
2	XY169 塑壳	QJ/XYT-2195102
3	XY169 铜方块	QJ/XYT-2140102
4	XY169 端子	QJ/XYT-2195103
5	XY169 螺丝	QJ/XYT-2195104



300V 15A 22-14AWG 0.5-2.5mm<sup>2</sup>  
Poles: 1P-24P  
Pitch: 5.0mm

**Materials**

Housing: PA66(UL 94V-0)  
Wire Cage: Brass, Nickel Plated  
Solder Pin: Brass, Tin Plated  
Screw: M2.5, Steel, Zinc Plated  
Torque: 0.4N.m

设计/Designed by	绘图/Drawing by	审核/Checked by	批准/Approved by
		图名/Title	文件编号/File No.
		XY169	QJ/XYT-2195100
		版本/Version	A0
备注/Remark		单位/Units: mm	

序号/RevNo.	更改记录/Revision note	签名/Signature	日期/Date