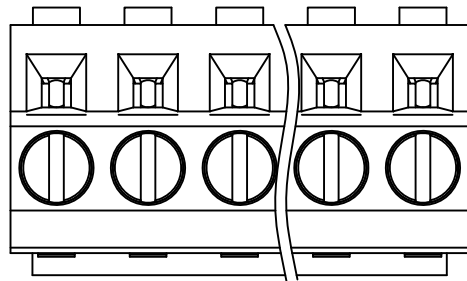
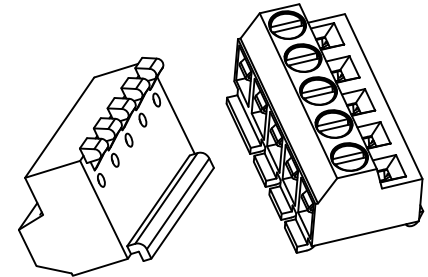
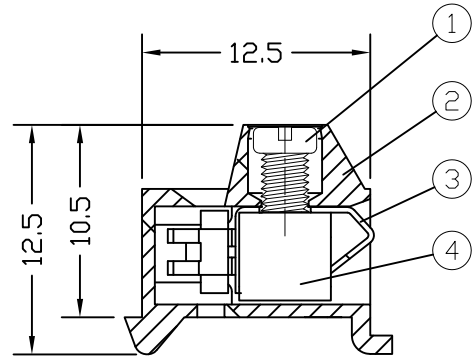
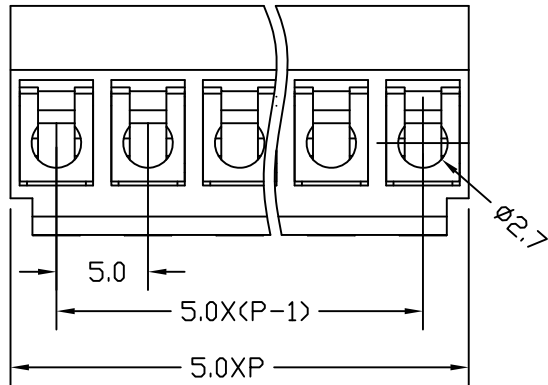
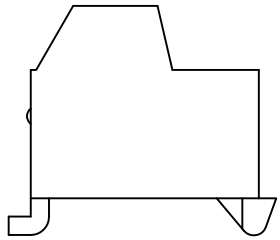


序号/RevNo.	名称 /Title	文件编号 /File No.
1	XY334W一字螺丝 (老XY301一字螺丝,M2.6)	QJ/XYT-D100100
2	XY334W塑壳	QJ/XYT-B101700
3	XY334弹片	QJ/XYT-2134102
4	XY334铜方块	QJ/XYT-2134103



Note

300V 10A 28-14AWG 1.5mm²

Poles: (2P,3P-24P)

Pitch: 5.0mm(.197")

Materials

Housing: PA66(UL 94V-0)


Wire Cage: Brass,Ni Plated

Clamping: Phosphor Bronze,Sn Plated

Screw: M2.6,Steel,Zn Plated

Torque: 0.4N.m

未注公差/Undeclared tolerance															
尺寸(mm) Dimension(mm)	0 ~ 1	1 ~ 3	3 ~ 6	6 ~ 10	10 ~ 15	15 ~ 22	22 ~ 30	30 ~ 40	40 ~ 53	53 ~ 70	70 ~ 90	90 ~ 120	120 ~ 160	160 ~ 200	200 ~ 250
	±0.10	±0.11	±0.12	±0.14	±0.17	±0.20	±0.24	±0.28	±0.33	±0.40	±0.50	±0.60	±0.75	±0.95	±1.15

设计/Designed by	绘图/Drawing by	审核/Checked by	批准/Approved by	未注公差 General Tolerance	
		图名/File name	文件编号/File No.	x.	x.°
		XY334W-5.0 产品图	QJ/XYT-A100800	.x	.x°
		页序/Sheet		.xx	.xx°
备注/Remark				.xxx	.xx°
				单位/Units: mm	