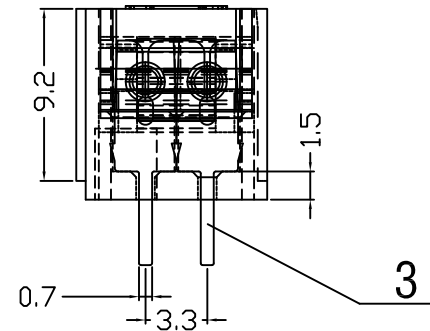
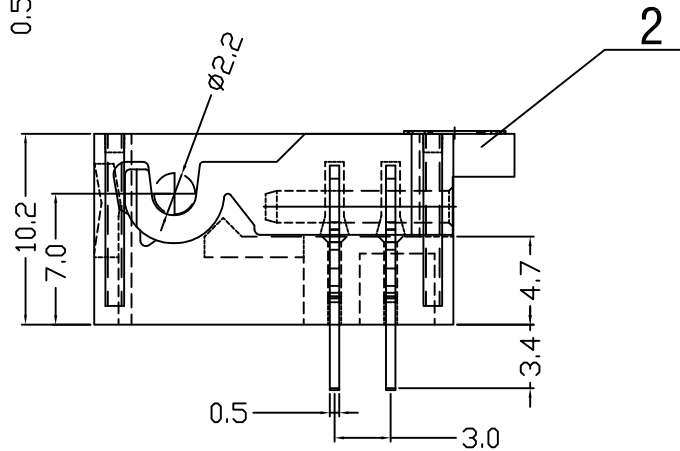
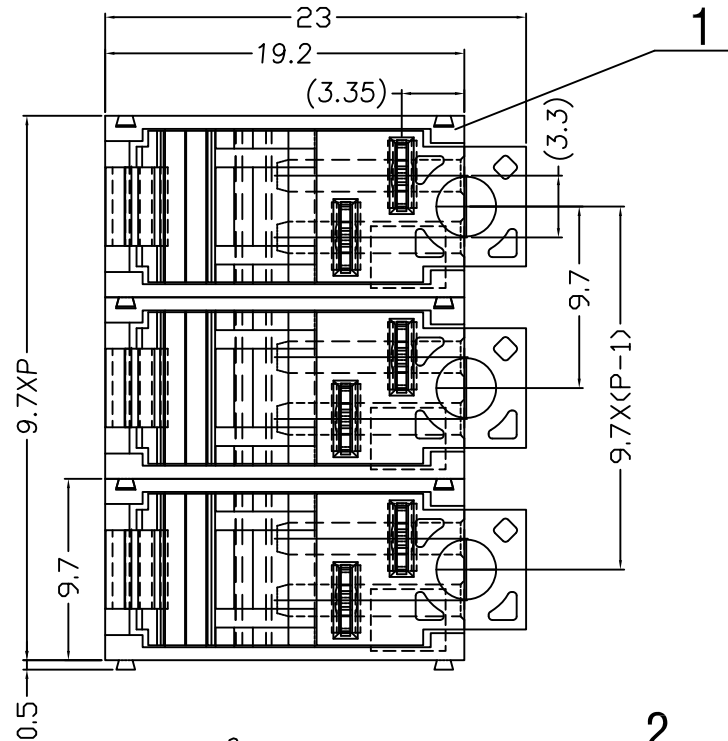


序号/RevNo.	名称/Title	文件编号/File No.
1	AN主体	
2	AN盖板	
3	AN端子	



Poles: 1P-12P
 Pitch: 3.5mm
 Voltage Rating: 300V
 Current Rating: 8A
 Wire range: 28-22AWG 0.2mm
 Housing: PA66(UL 94V-0)&PC
 Solder Pin: Brass, Tin Plated

2

设计/Designed by	绘图/Drawing by	审核/Checked by	批准/Approved by	未注公差 General Tolerance	
		图名/File name	文件编号/File No.	x. ±0.3	x.° ±2°
		AN产品图		.x ±0.2	.x° ±1°
		页序/Sheet		.xx ±0.1	.xx° ±0.5°
备注/Remark				.xxx ±0.05	单位/Units: mm