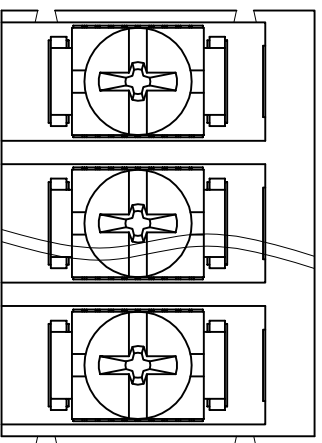



300V 10A 22-16AWG 1.5mm²
 Poles: (2P, 3P, 4P)
 Pitch: 6.35mm (.250")

Materials

Housing: PA66 (UL 94V-0)
 Solder Pin: Brass, Tin Plated
 Screw: M3, Steel, Nickel Plated
 Torque: 0.4N.m



设计/Designed by	绘图/Drawing by	审核/Checked by	批准/Approved by	未注公差 General Tolerance	
				X. ±0.2	X.° ±2°
				.X ±0.1	.X° ±1°
				.XX ±0.05	.XX° ±0.5°
				.XXX ±0.01	
 新莱亚电子 XINLAIYA ELECTRONIC CO., LTD				图名/File name	文件编号/File No.
				XY816VS	
				产品图	
备注/Remark				页序/Sheet	
				单位/Units:	mm