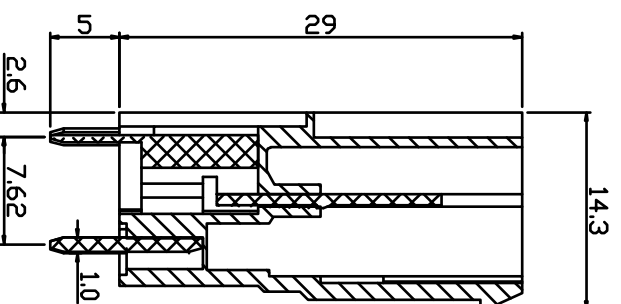
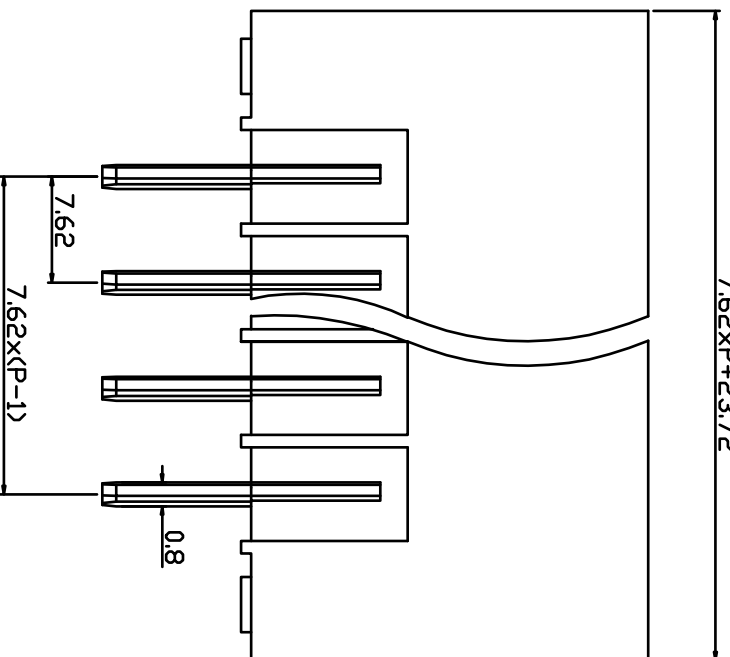


7.62xP+23.72



300V 30A

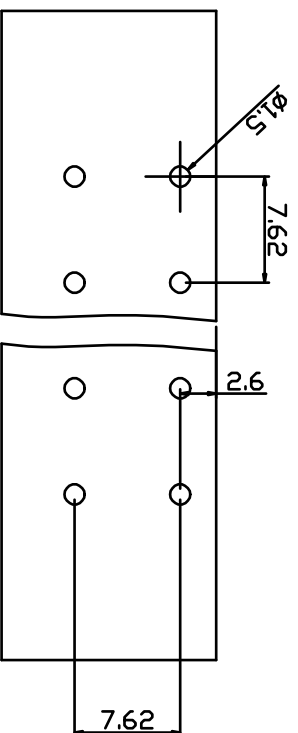
Poles: 2P-12P

Pitch: 7.62 (.300")

Materials

Housing: PA66 (UL 94V-0)

Contact: Copper alloy, Sn plated



PCB

序号/Serial No.

更改记录/Revision note

签名/Signature

日期/Date

设计/Designed by

绘图/Drawing by

审核/Checked by

批准/Approved by

公差/General Tolerance

图名/File name

文件编号/File No.

XY2500SVM-7.62

页序/Sheet

.x ±0.2 .x° ±2°

.x ±0.1 .x° ±1°

.xxx ±0.05 .xx° ±0.5°

.xxx ±0.01

单位/Unit to: mm

新莱亚电子

XILAIYAN ELECTRONIC CO., LTD

备注/Remark

单位/Unit to: mm