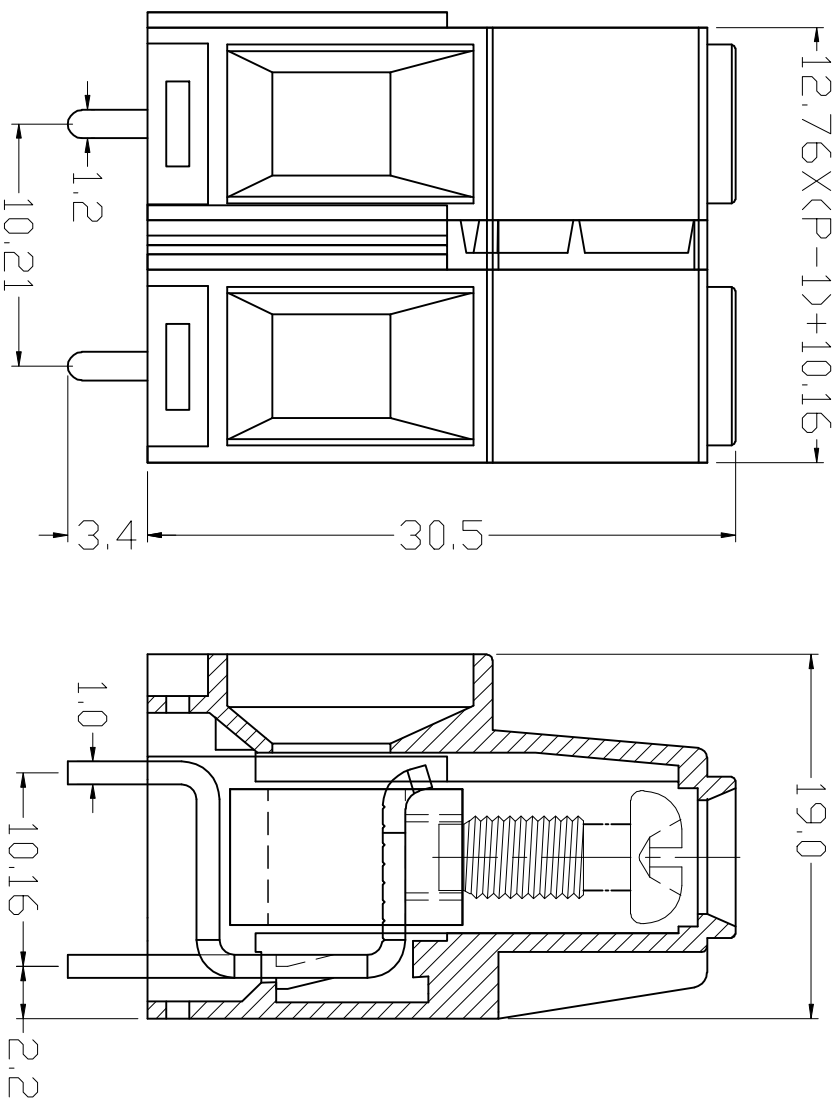


300V 52A 20-6AWG 2.5mm²
 Poles: 2P-24P
 Pitch: 12.76mm (.500")

Materials

Housing: PA66 (UL 94V-0)
 Solder Pin: Brass, Tin Plated
 Screws: M4.5, steel, A3, Zn plated
 Cage: Zinc alloy, Nickel Plated



序号/Rev.No. 更改记录/Revision note 签名/Signature 日期/Date

设计/Designed by	绘图/Drawing by	审核/Checked by	批准/Approved by	未注公差 General Tolerance	
				±0.2	±°
				±0.1	±°
				±0.05	±°
				±0.01	±0.5°
图名/Title		文件编号/Title No.			
XY136-12.76		页序/Sheet			
备注/Remark				单位/Units: mm	

新莱亚电子
 XINYIYADA ELECTRONIC CO., LTD