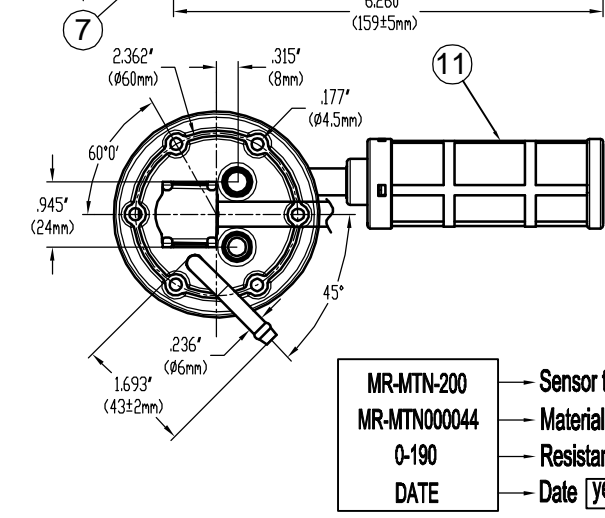
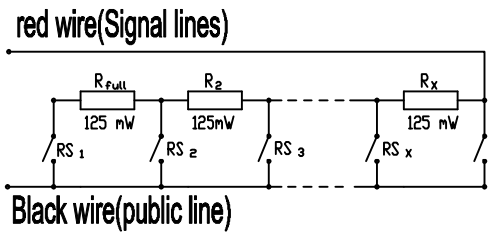
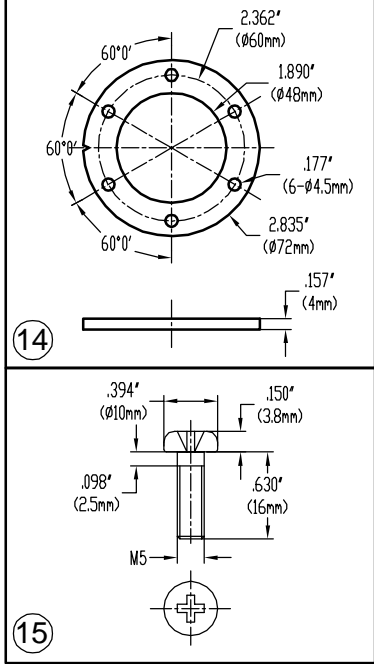
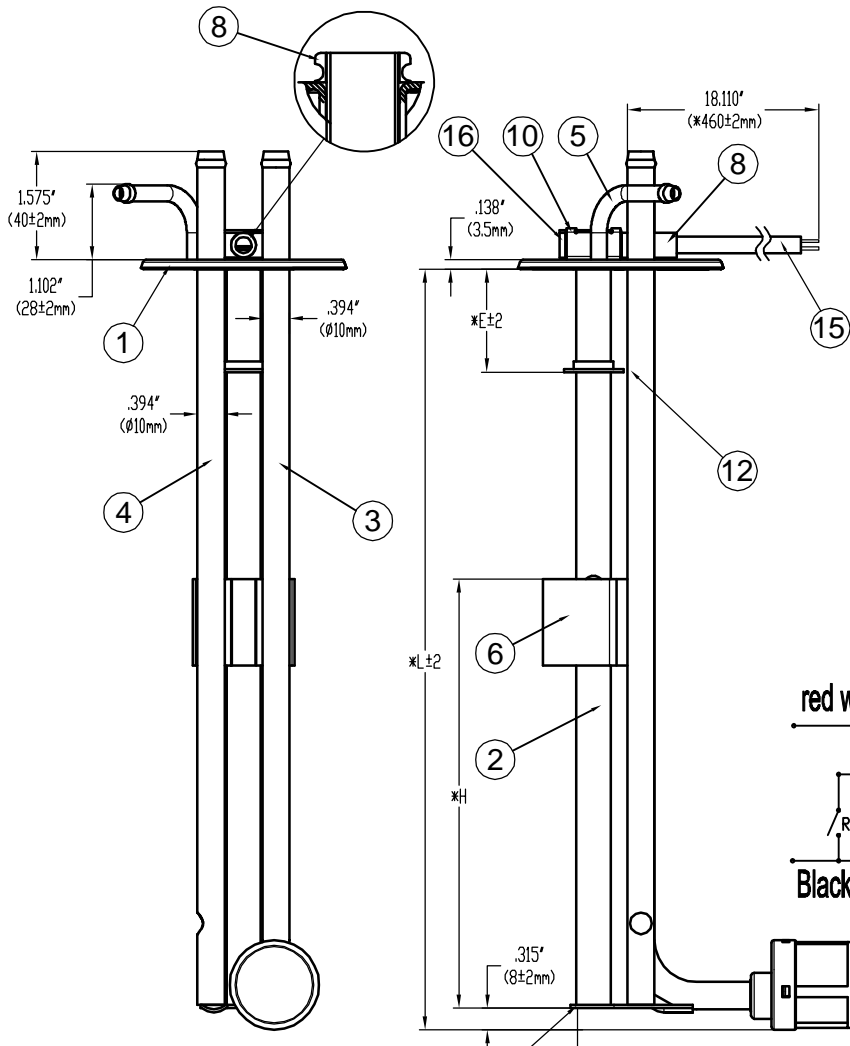


Specification

Customer		Name	Fuel tank sensor	Type	MR-MTN-200
----------	--	------	------------------	------	------------



16	Rubber Cover	NBR	
15	Wire	PVC	red/black
14	Screw	SUS304	M5*16
13	Gasket	NBR	
12	Floating ball block slice	SUS304	
11	Filter	Plastic	
10	Card buckle	SUS304	
9	Aluminum cover	ALU	
8	Tube joint	SUS304	
7	Bracket piece	SUS304	
6	Float	NBR	
5	Breather pipe	SUS304	
4	Return oil tube	SUS304	
3	Suction tubing	SUS304	
2	Tube	SUS304	∅12.7*0.6
1	Flange piece	SUS304	
NO.	Name	Material	Note

MR-MTN-200 → Sensor type and length
 MR-MTN000044 → Material no.
 0-190 → Resistance
 DATE → Date [year] [W] [weeks]

MR-MTN000044	
MR-MTN-200	
E=10	
R000019	
H(mm)	R(ohm)
> 166	192
166	159
145	129
124	109
103	89

Tolerance class	From 0.5	Over 3	Over 6	Over 30	Over 120	Over 400	82	69
	Up to 3	Up to 6	Up to 30	Up to 120	Up to 400	Up to 1000	61	51
ISO 2768 c	±0.2	±0.3	±0.5	±0.8	±1.2	±2	42	0

<h2 style="margin: 0;">Ningbo Holleywin Export&Import Trade Co., LTD.</h2>	APP	CHK	DSG	Remark	Scale	Page
				RoHS	1:1	1/1