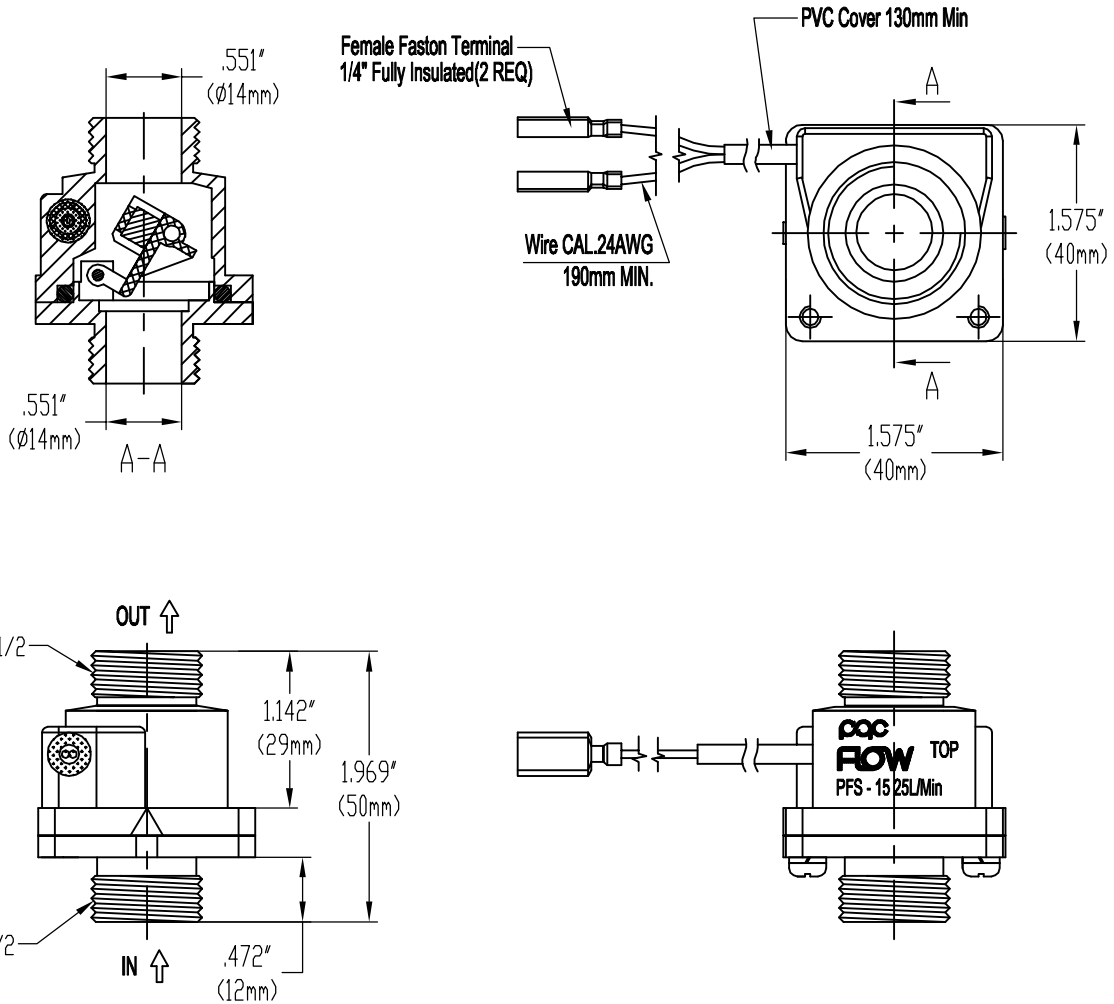


Specification

Customer		Name	Flow Switch	Type	MR-4050-G1/2
----------	--	------	-------------	------	--------------

Unit: mm DIM Tolerance: ±0.3



Electrical Characteristic			Technical Characteristic		
1	Contact form	NO (Normally Open)	1	Start-up Volume (min) :	1.5L/min
2	Max Contact Rating	70 W	2	Operate Volume (max) :	50L/min
3	Max Switch Voltage	250V AC	3	Standard Operate Pressure:	0.1~0.8MPa
4	Max Switch Current	1.0 A	4	Suffering Pressure:	1.5MPa
5	Max Contact Resistance	200mΩ	5	Operate Temperature:	0~+100℃
6	Min Insulation Resistance	10 ¹⁰ Ω	6	Mounting Position:	Vertical or Horizontal
7	Electrical Life	1X10 ⁷ (5Vdc,10mA)	7	Body Material:	Brass

Ningbo Holleywin Export&Import Trade Co., LTD.	APP	CHK	DSG	Remark	Scale	Page
				RoHS	1:1	1/1