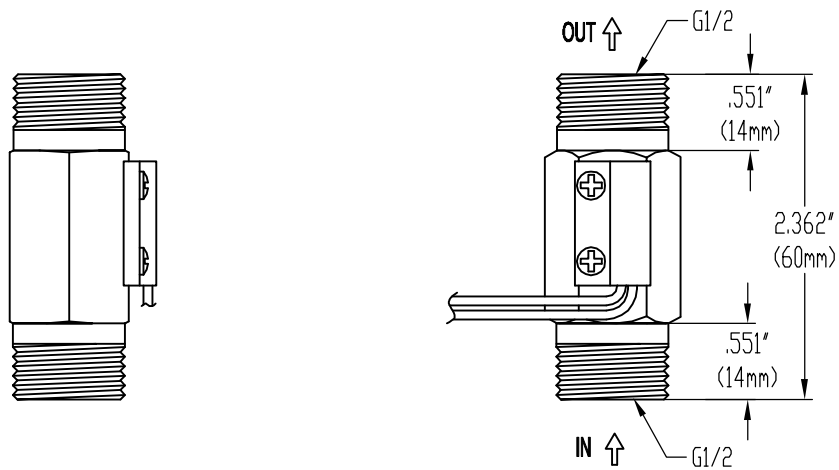


# Specification

Customer		Name	Flow Switch	Type	MR-2260
----------	--	------	-------------	------	---------

Unit: mm    DIM Tolerance: ±0.3



Electrical Characteristic			Technical Characteristic		
1	Contact form	NO ( Normally Open )	1	Start-up Volume ( min ) :	2.0L/min
2	Max Contact Rating	10 W	2	Operate Volume ( max ) :	15L/min
3	Max Switch Voltage	100V	3	Standard Operate Pressure:	0.01~0.4MPa
4	Max Switch Current	0.5 A	4	Suffering Pressure:	1.5MPa
5	Max Contact Resistance	200mΩ	5	Operate Temperature:	0~100℃
6	Min Insulation Resistance	10 <sup>10</sup> Ω	6	Mounting Position:	Vertical
7	Electrical Life	1X10 <sup>7</sup> (5Vdc,10mA)	7	Body Material:	Brass

Ningbo Holleywin Export&Import Trade Co., LTD.	APP	CHK	DSG	Remark	Scale	Page
				RoHS	1:1	1/1