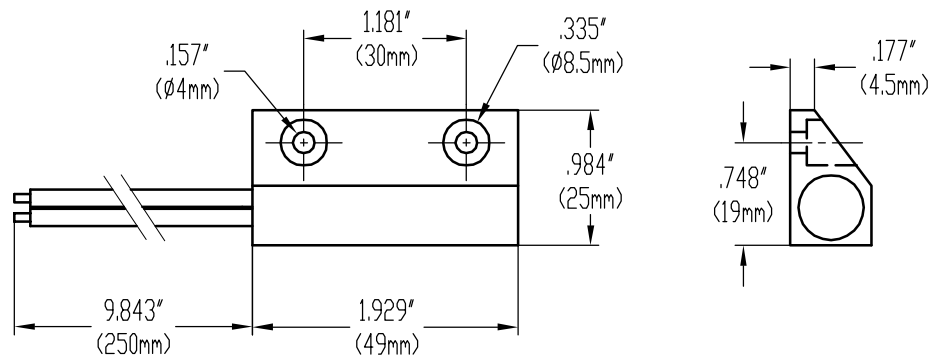


Specification

Customer		Name	Proximity switch	Type	MR-5C-56
----------	--	------	------------------	------	----------



Material Specification			Electrical Specification		Physics Specification	
Part name	Specification	Quantity				
1.magnet	—	—	1.contact form	NC	1.min resistance to vibration value	(11-1000HZ)
2.main body	Zinc alloy	1PC	2.contact rating	10W	2.applicable temperature	-10 ~ +85°c
3.cap nut	—	—	3.max switching current	DC100/AC100	3.induction distance	40 ~ 60mm
4.o-ring	—	—	4.breakdown voltage	150min		
5.e-ring	—	—	5.max switching voltage	DC0.5		
6.wire	UL 1007 22#	250mm	6.max carry current	1.0A		
7.filling	Epoxy resin	—	7.contact resistance	100max		
8.terminal	—	—	8.insulation resistance	10 ⁹ min		
9.housing	—	—	9.get an electric shock life	10 ⁷		
10.reed switch	324	1PC	designed by:	checked by:	drawing by:	drawing date:
						scale:

<h2 style="margin: 0;">Ningbo Holleywin Export&Import Trade Co., LTD.</h2>	filename:		
	drawing no.	edition:	sheet: 1