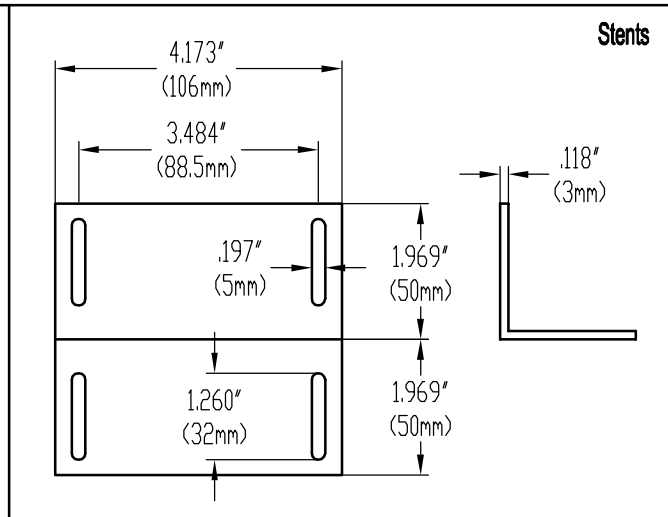
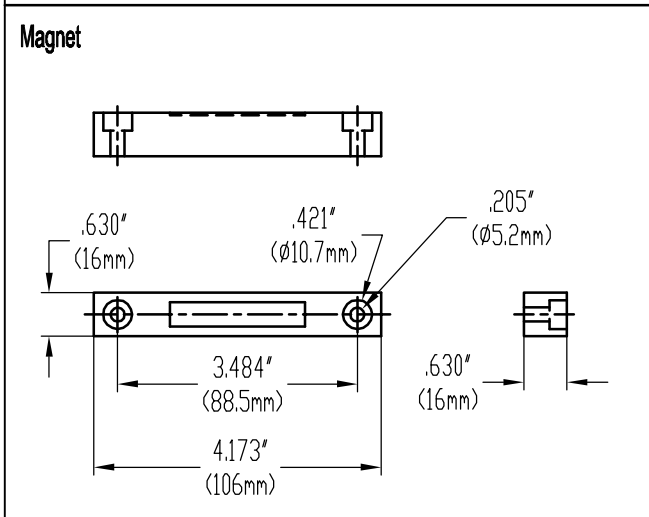
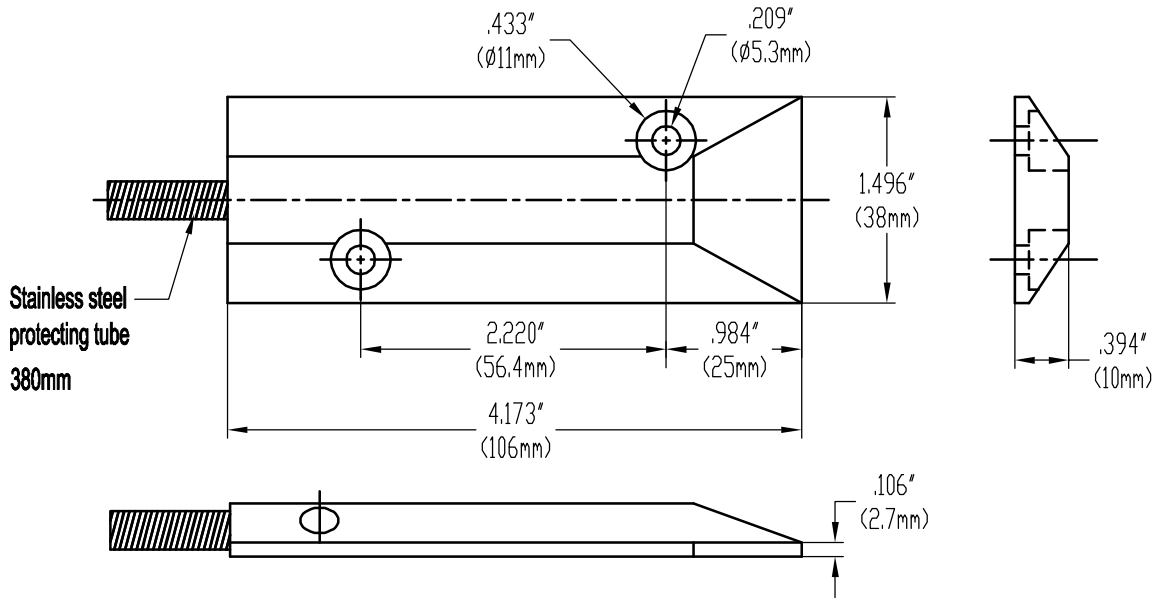


Specification

Customer		Name	Proximity switch	Type	MR-5C-55AL
-----------------	--	-------------	------------------	-------------	------------



Material Specification			Electrical Specification			Physics Specification		
Part name	Specification	Quantity						
1.Magnet	Aluminum alloy	1PC	1.contact form	NC	1.min resistance to vibration value	(11-1000HZ)		
2.main body	Aluminum alloy	1PC	2.contact rating	10W	2.applicable temperature	-10 ~ +85°c		
3.stents	Aluminum alloy	1PC	3.max switching current	DC100/AC100	3.Induction distance	50 ~ 70mm		
4.o-ring	—	—	4.breakdown voltage	150min				
5.e-ring	—	—	5.max switching voltage	DC0.5				
6.wire	UL 1007 22#	—	6.max carry current	1.0A				
7.filling	—	—	7.contact resistance	100max				
8.terminal	—	—	8.insulation resistance	10 ⁹ min				
9.housing	—	—	9.get an electric shock life	10 ⁷				
10.reed switch	324	1PC	designed by:	checked by:	drawing by:	drawing date:	scale:	

<h2 style="margin: 0;">Ningbo Holleywin Export&Import Trade Co., LTD.</h2>	filename:		
	drawing no.	edition:	sheet: 1