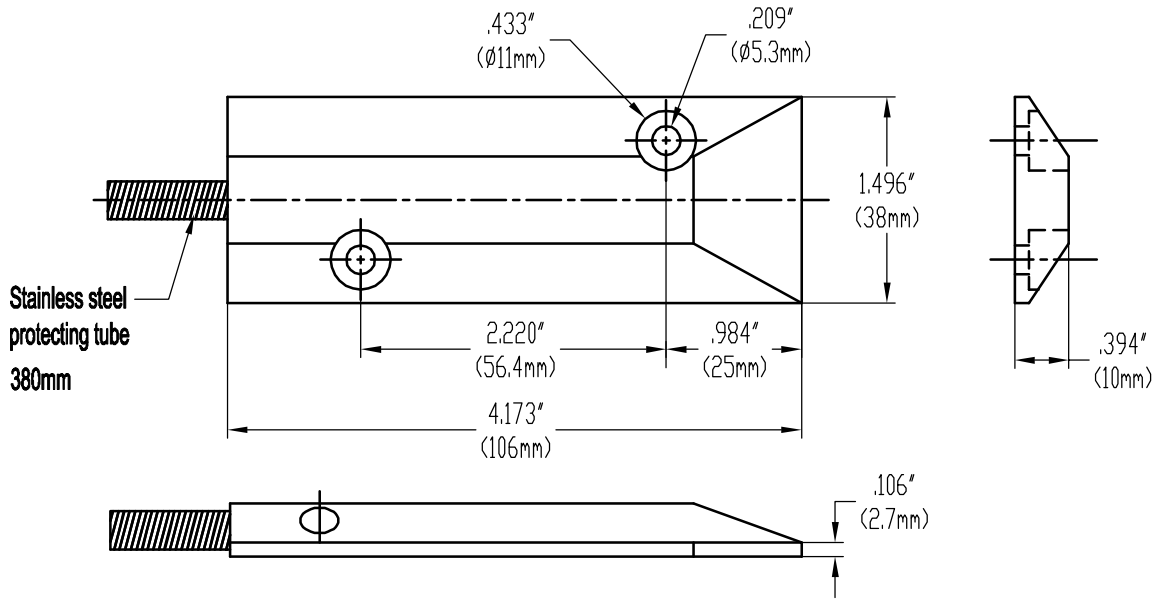
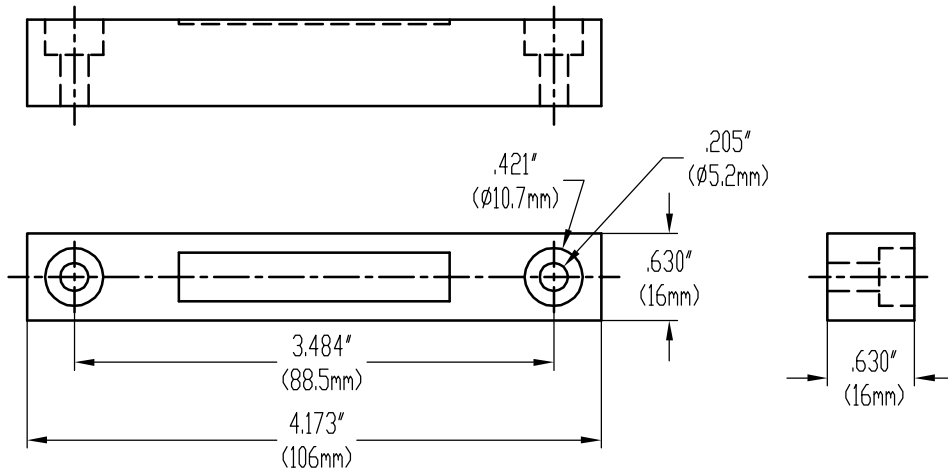


# Specification

Customer		Name	Proximity switch	Type	MR-5C-55A
----------	--	------	------------------	------	-----------



## Magnet



Material Specification			Electrical Specification			Physics Specification		
Part name	Specification	Quantity	1.contact form	NC	1.min resistance to vibration value	(11-1000HZ)		
1.Magnet	Aluminum alloy	1PC	2.contact rating	10W	2.applicable temperature	-10 ~ +85°c		
2.float body	Aluminum alloy	1PC	3.max switching current	DC100/AC100	3.Induction distance	50 ~ 70mm		
3.cap nut	—	—	4.breakdown voltage	150min				
4.o-ring	—	—	5.max switching voltage	DC0.5				
5.e-ring	—	—	6.max carry current	1.0A				
6.wire	UL 1007 22#	—	7.contact resistance	100max				
7.filling	—	—	8.insulation resistance	10 <sup>4</sup> min				
8.terminal	—	—	9.get an electric shock life	10 <sup>7</sup>				
9.housing	—	—	designed by:	checked by:	drawing by:	drawing date:	scale:	
10.reed switch	324	1PC						

Ningbo Holleywin Export&Import Trade Co., LTD.

filename:

drawing no.

edition:

sheet:

1