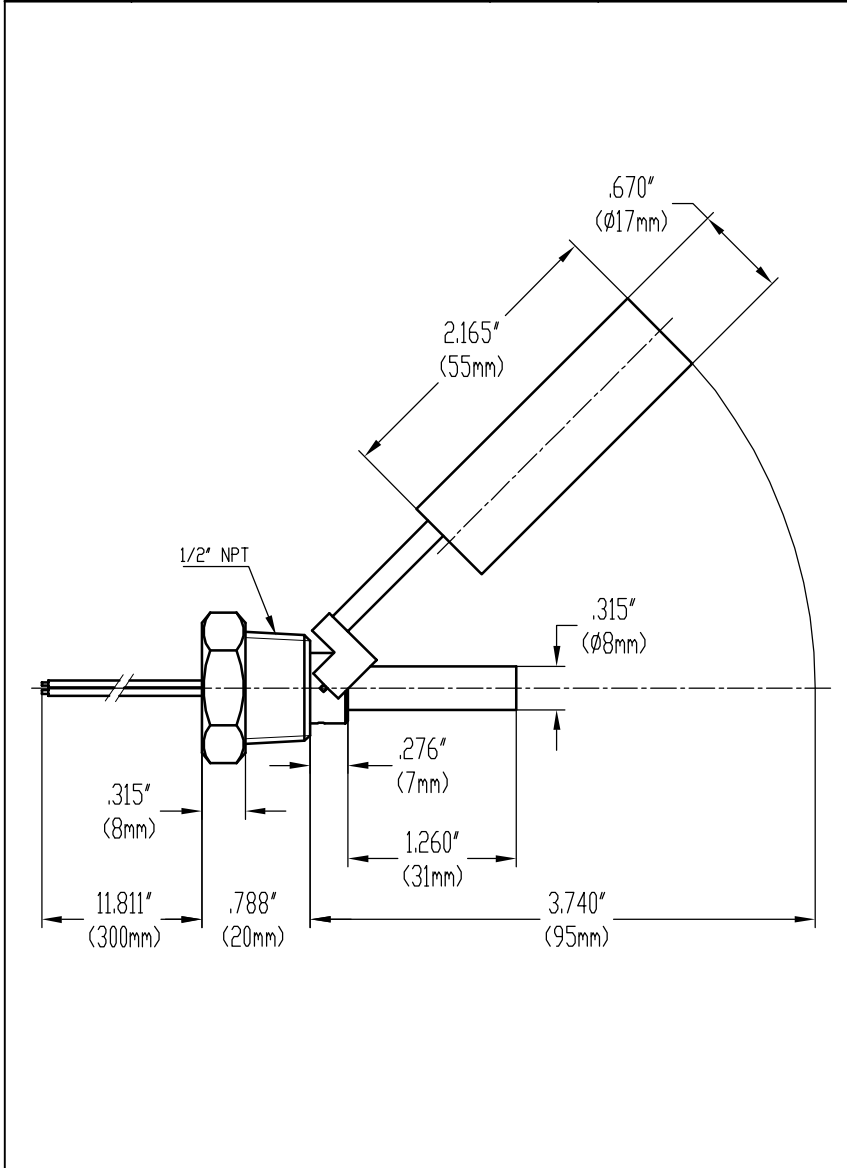
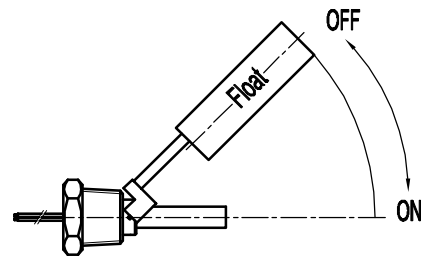


Specification

Customer		Name	Side mounted liquid level switch	Type	MR-L10-SS-2A
----------	--	------	----------------------------------	------	--------------



Movement explanation



Movement explanation:

1. when the float is in $20 \pm 2^\circ$, the reed switch will be closed.
2. when the float is in $25 \pm 2^\circ$, the reed switch will be open.

Material Specification			Electrical Specification			Physics Specification		
Part name	Specification	Quantity	1.contact form	A(N.O.)	1.float pressure	$\leq 0.7\text{MPa}$		
1.float ball	SUS304	1PC	2.contact rating	50W	2.min resistance to vibration value	(11-1000HZ)		
2.float body	SUS304	1PC	3.max switching current	DC350/AC300	3.applicable temperature	$-15 \sim +125^\circ\text{c}$		
3.cap nut	—	—	4.breakdown voltage	600min				
4.o-ring	—	—	5.max switching voltage	DC0.7/AC0.5				
5.e-ring	—	—	6.max carry current	2.5A				
6.wire	UL 1015 22# black	300mm	7.contact resistance	100max				
7.filling	epoxy glue	—	8.insulation resis tance	10^4min				
8.terminal	—	—	9.get an electric shock life	10^7				
9.housing	—	—	designed by:	checked by:	drawing by:	drawing date:	scale:	
10.reed switch	229	1PC						

Ningbo Holleywin Export&Import Trade Co., LTD.	filename:		
	drawing no.	edition:	sheet: 1