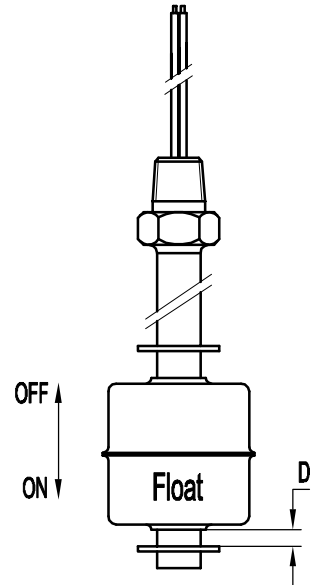
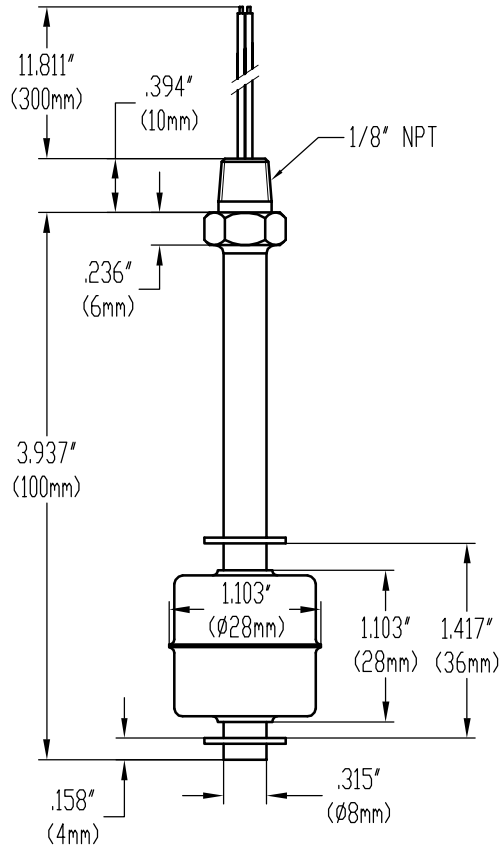


Specification

Customer		Name	Stainless steel level sensor	Type	MR10100-SS-2A1C
-----------------	--	-------------	------------------------------	-------------	-----------------

Movement explanation



Movement explanation :
 When the float drops to the D position in the position between D=3±1mm, the reed switches will be closed

Material Specification			Electrical Specification			Physics Specification		
Part name	Specification	Quantity	1.contact form	A(N.O.)	1.float pressure	≤0.7MPa		
1.float ball	SUS304	1PC	2.contact rating	50W	2.min resistance to vibration value	(11-1000HZ)		
2.float body	SUS304	1PC	3.max switching current	DC350/AC300	3.applicable temperature	-15 ~ +125°C		
3.cap nut	—	—	4.breakdown voltage	600min				
4.o-ring	—	—	5.max switching voltage	DC0.7/AC0.5				
5.e-ring	SUS304	1PC	6.max carry current	2.5A				
6.wire	1015 22# black	300mm	7.contact resistance	100max				
7.filling	epoxy glue	—	8.insulation resistance	10 ⁹ min				
8.terminal	—	—	9.get an electric shock life	10 ⁷				
9.housing	—	—	designed by:	checked by:	drawing by:	drawing date:	scale:	
10.reed switch	229	1PC						

Ningbo Holleywin Export&Import Trade Co., LTD.

filename:		
drawing no.	edition:	sheet: 1