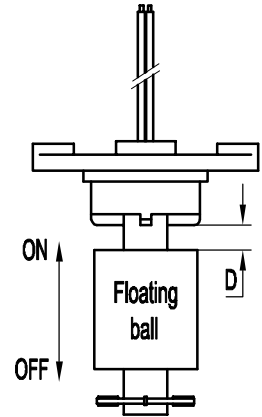
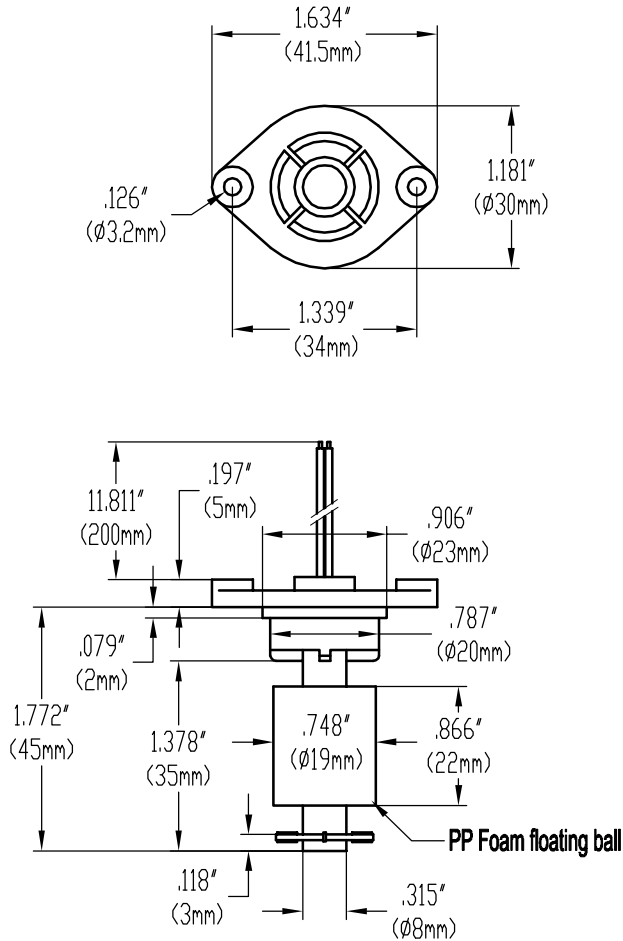


# Specification

Customer		Name	Plastic level sensors	Type	MR4535-PP-2A1C
----------	--	------	-----------------------	------	----------------

## Movement explanation



**Movement explanation :**  
 When the float up to the D position in the position between D=3±1mm, the reed switches will be closed

Material Specification			Electrical Specification			Physics Specification		
Part name	Specification	Quantity	1.contact form	A(N.O.)	1.float pressure	≤0.2MPa		
1.float ball	PP	1PC	2.contact rating	50W	2.min resistance to vibration value	(11-1000HZ)		
2.float body	POM	1PC	3.max switching current	DC350/AC300	3.applicable temperature	-10 ~ +85°c		
3.cap nut	—	—	4.breakdown voltage	600min				
4.o-ring	—	—	5.max switching voltage	DC0.7/AC0.5				
5.e-ring	POM	1PC	6.max carry current	2.5A				
6.wire	UL 1007 24# black	300mm	7.contact resistance	100max				
7.filling	epoxy glue	—	8.insulation resis tance	10 <sup>4</sup> min				
8.terminal	XH	2PCS	9.get an electric shock life	10 <sup>7</sup>				
9.housing	XH-2Y white	1PC	designed by:	checked by:	drawing by:	drawing date:	scale:	
10.reed switch	229	1PC						

<h2 style="margin: 0;">Ningbo Holleywin Export&amp;Import Trade Co., LTD.</h2>	filename:		
	drawing no.	edition:	sheet: 1