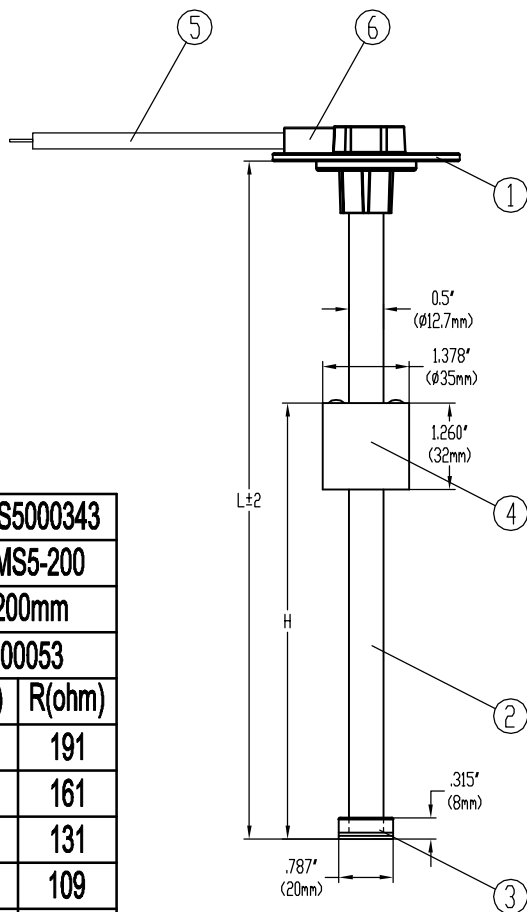
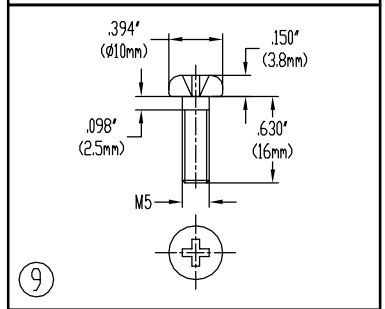
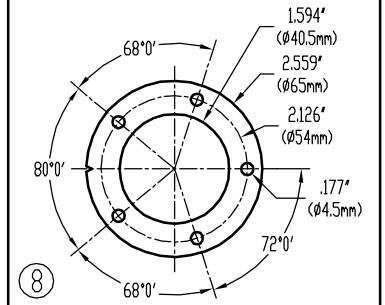
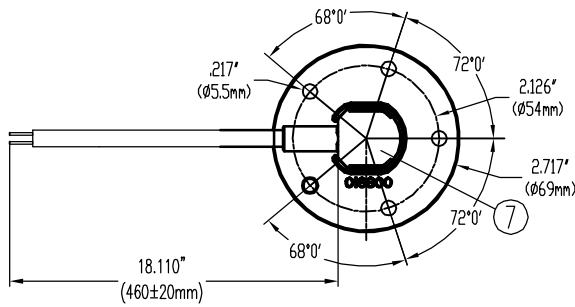
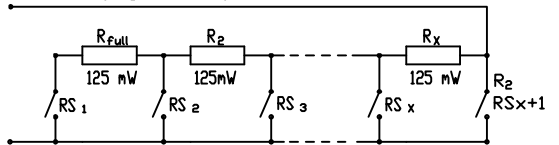


Specification

Customer		Name	Fuel tank sensor	Type	MR-MS5-200
----------	--	------	------------------	------	------------



red wire(Signal lines)



Black wire(public line)

MR-MS5-200	→ Sensor type and length			
MR-MS5000343	→ Material no.			
0-190	→ Resistance			
DATE	→ Date <table border="1" style="display: inline-table; border-collapse: collapse;"><tr><td style="width: 30px;">year</td><td style="width: 30px;">W</td><td style="width: 30px;">weeks</td></tr></table>	year	W	weeks
year	W	weeks		

MR-MS5000343	
MR-MS5-200	
L=200mm	
R000053	
H(mm)	R(ohm)
> 166	191
166	161
153	131
132	109
111	87
90	69
69	51
48	0

9	Screw	SUS304	M5*16
8	Gasket	NBR70	
7	ALU Cover	ALU	
6	Rubber Cover	NBR	
5	Cable 2*0.75	PVC	red/black
4	Float	NBR	
3	Plug	PA66	
2	Reed pipe	SUS304	Ø12.7*0.6
1	Sensor head	SUS304	

NO.	Name	Material	Note
APP	CHK	DSG	Remark
			Scale
			Page
		RoHS	1:1
			1/1

Ningbo Holleywin Export&Import Trade Co., LTD.