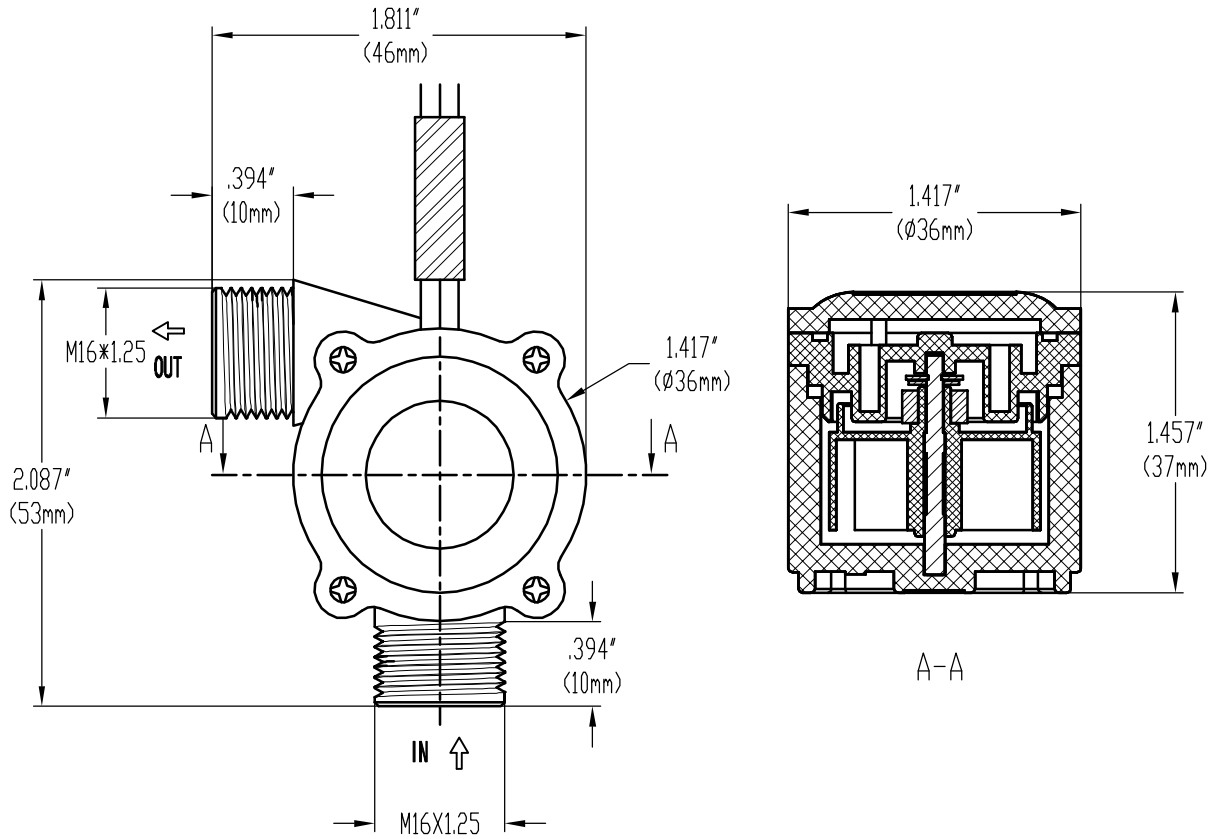


Specification

Customer		Name	Flow sensor	Type	MR-A368-4
-----------------	--	-------------	-------------	-------------	-----------

Unit: mm DIM Tolerance: ±0.3



No.	Technical parameters	
1	Resistance to water pressure	<1.75MPa
2	Working voltage range	DC5~24V
3	Insulation resistance	> 100MΩ
4	Precision	(在2~30L/min) ±10%
5	Flow pulse characteristics	F=(13*Q-2)±10% Q=L/MIN
6	Output pulse high level	> DC 4.7V(Input voltage:DC 5V)
7	Output pulse low level	< DC 0.5V(Input voltage:DC 5V)
8	Output pulse duty ratio	50%±10
9	Body material	PA+GF

Connection mode: Red line to connect power "+", Black line to connect power "-", Yellow line signal output.

Ningbo Holleywin Export&Import Trade Co., LTD.	APP	CHK	DSG	Remark	Scale	Page
				RoHS	1:1	1/1