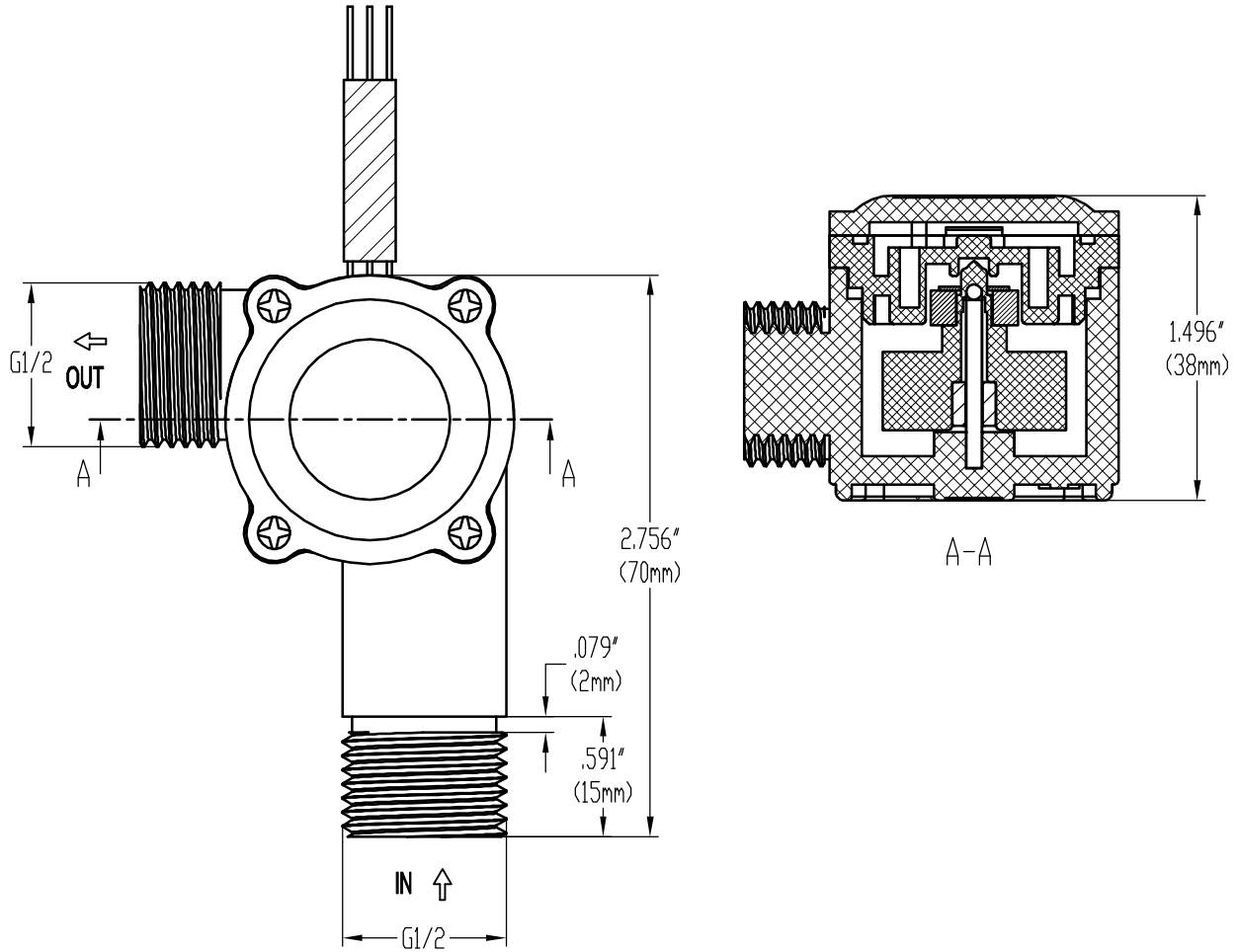


Specification

| | | | | | |
|----------|--|------|-------------|------|-----------|
| Customer | | Name | Flow sensor | Type | MR-A368-2 |
|----------|--|------|-------------|------|-----------|

Unit: mm DIM Tolerance: ±0.3



| No. | Technical parameters | |
|-----|------------------------------|--------------------------------|
| 1 | Resistance to water pressure | <1.75MPa |
| 2 | Working voltage range | DC5~24V |
| 3 | Insulation resistance | > 100MΩ |
| 4 | Precision | (在2~30L/min) ±10% |
| 5 | Flow pulse characteristics | F=(7.8*Q)±10% Q=L/MIN |
| 6 | Output pulse high level | > DC 4.7V(Input voltage:DC 5V) |
| 7 | Output pulse low level | < DC 0.5V(Input voltage:DC 5V) |
| 8 | Output pulse duty ratio | 50%±10 |
| 9 | Body material | PA+GF |

Connection mode: Red line to connect power "+", Black line to connect power "-", Yellow line signal output.

| | | | | | | |
|---|-----|-----|-----|--------|-------|------|
| Ningbo Holleywin Export&Import Trade Co., LTD. | APP | CHK | DSG | Remark | Scale | Page |
| | | | | RoHS | 1:1 | 1/1 |