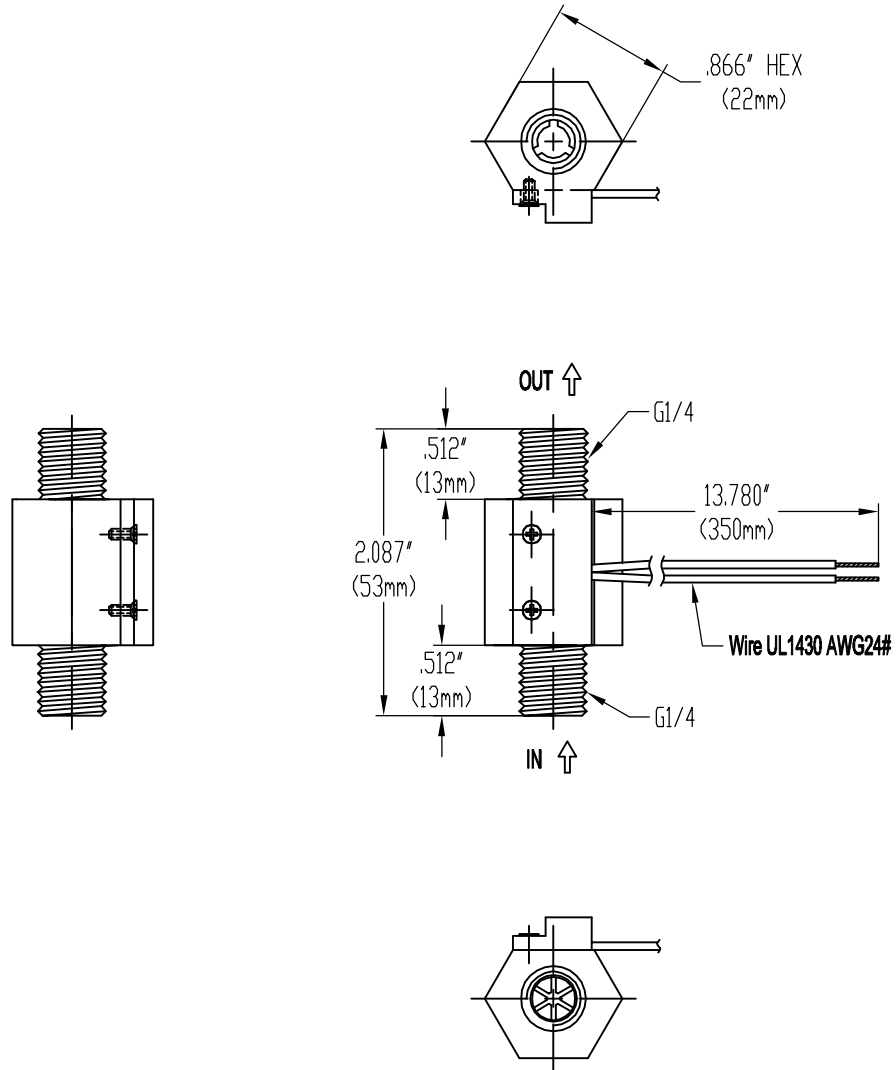


Specification

Customer		Name	Flow Switch	Type	MR-2253-G1/4
----------	--	------	-------------	------	--------------

Unit: mm DIM Tolerance: ±0.3



Electrical Characteristic			Technical Characteristic		
1	Contact form	NO (Normally Open)	1	Fluid:	Water and None Agressive Fluid
2	Max Contact Rating	50 W	2	MAX.working Pressure:	1.2 MPa
3	Max Switch Voltage	300V	3	MAX.fluid Temperature:	0~+100°C
4	Max Switch Current	0.5 A	4	Switch Flow Rate:	0.25~6L/min
5	Max Contact Resistance	200mΩ	5	Mounting Position:	Discretionary installation
6	Min Insulation Resistance	10 ¹⁰ Ω	6	Body Material:	PA66+GF30
7	Electrical Life	1X10 ⁷ (5Vdc,10mA)	7		

Ningbo Holleywin Export&Import Trade Co., LTD.	APP	CHK	DSG	Remark	Scale	Page
				RoHS	1:1	1/1