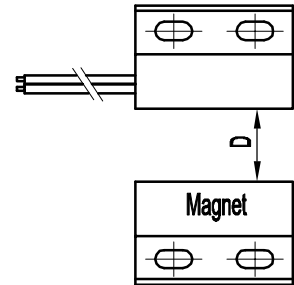
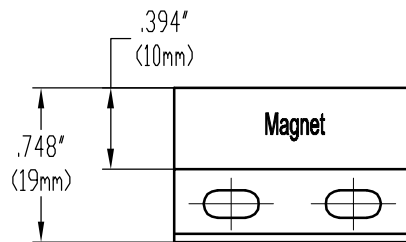
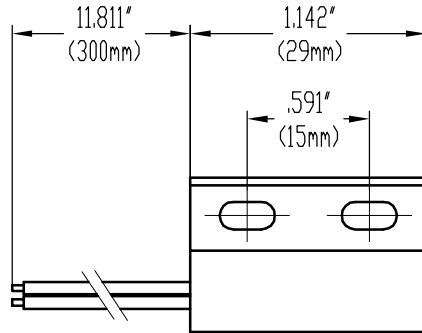


# Specification

|                 |  |             |                  |             |        |
|-----------------|--|-------------|------------------|-------------|--------|
| <b>Customer</b> |  | <b>Name</b> | Proximity switch | <b>Type</b> | MR2919 |
|-----------------|--|-------------|------------------|-------------|--------|

## Movement explanation



**Movement explanation :**  
When  $D=18\pm 1\text{mm}$ , the reed switches will be closed

| Material Specification |                   |          | Electrical Specification     |                     |             | Physics Specification               |             |  |
|------------------------|-------------------|----------|------------------------------|---------------------|-------------|-------------------------------------|-------------|--|
| Part name              | Specification     | Quantity | 1.contact form               | A(N.O.)             |             | 1.min resistance to vibration value | (11-1000HZ) |  |
| 1.Magnet               | Ferrite           | Optional | 2.contact rating             | 10W                 |             | 2.applicable temperature            | -10 ~ +85°c |  |
| 2.float body           | ABS               | 1PC      | 3.max switching current      | DC100/AC100         |             |                                     |             |  |
| 3.cap nut              | —                 | —        | 4.breakdown voltage          | 150min              |             |                                     |             |  |
| 4.o-ring               | —                 | —        | 5.max switching voltage      | DC0.5               |             |                                     |             |  |
| 5.e-ring               | —                 | —        | 6.max carry current          | 1.0A                |             |                                     |             |  |
| 6.wire                 | UL 1007 24# black | 300mm    | 7.contact resistance         | 100max              |             |                                     |             |  |
| 7.filling              | epoxy glue        | —        | 8.insulation resis tance     | 10 <sup>4</sup> min |             |                                     |             |  |
| 8.terminal             | —                 | —        | 9.get an electric shock life | 10 <sup>7</sup>     |             |                                     |             |  |
| 9.housing              | —                 | —        | designed by:                 | checked by:         | drawing by: | drawing date:                       | scale:      |  |
| 10.reed switch         | 324               | 1PC      |                              |                     |             |                                     |             |  |

**Ningbo Holleywin Export&Import Trade Co., LTD.**

|             |          |          |
|-------------|----------|----------|
| filename:   |          |          |
| drawing no. | edition: | sheet: 1 |