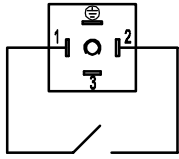


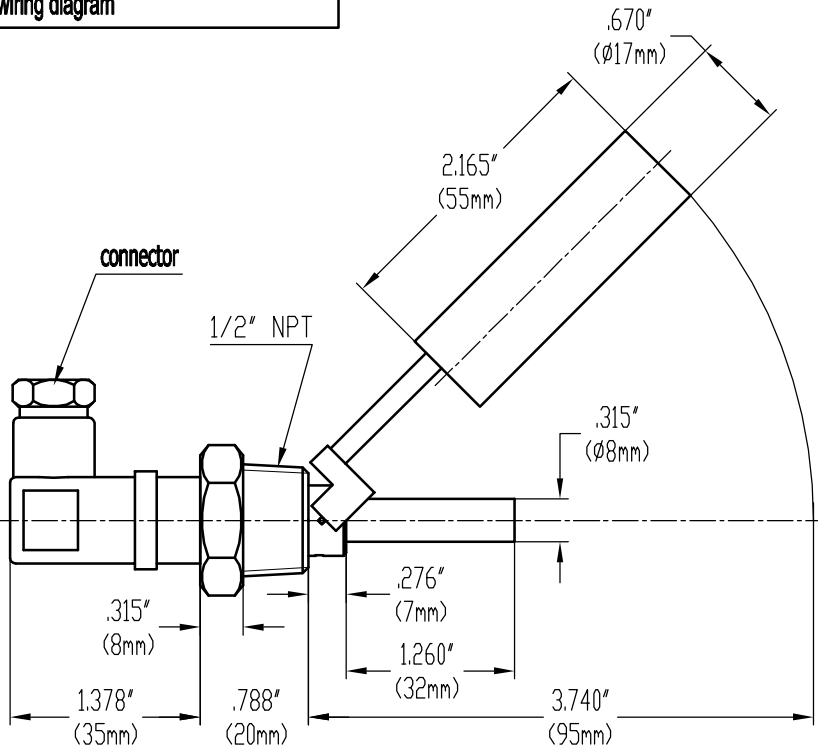
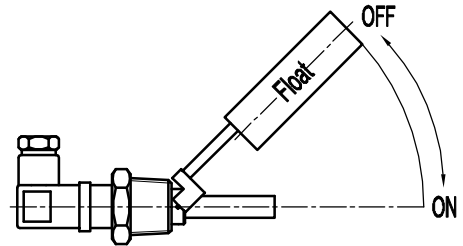
Specification

Customer		Name	Side mounted liquid level switch	Type	MR-L13-SS-2A
----------	--	------	----------------------------------	------	--------------



wiring diagram

Movement explanation



Movement explanation:

1. when the float is in $20 \pm 2^\circ$, the reed switch will be closed.
2. when the float is in $25 \pm 2^\circ$, the reed switch will be open.

Material Specification			Electrical Specification			Physics Specification		
Part name	Specification	Quantity						
1.float ball	SUS304	1PC	1.contact form	A(N.O.)	1.float pressure	$\leq 0.7\text{MPa}$		
2.float body	SUS304	1PC	2.contact rating	50W	2.min resistance to vibration value	(11-1000HZ)		
3.cap nut	—	—	3.max switching current	DC350/AC300	3.applicable temperature	-15 ~ +125°C		
4.o-ring	—	—	4.breakdown voltage	600min				
5.connector	16*16 The seat covers	1PC	5.max switching voltage	DC0.7/AC0.5				
6.wire	UL 1007 22# black	—	6.max carry current	2.5A				
7.filling	epoxy glue	—	7.contact resistance	100max				
8.terminal	—	—	8.insulation resistance	10 ⁹ min				
9.housing	—	—	9.get an electric shock life	10 ⁷				
10.reed switch	229	1PC	designed by:	checked by:	drawing by:	drawing date:	scale:	

Ningbo Holleywin Export&Import Trade Co., LTD.

filename:

drawing no.

edition:

sheet:

1