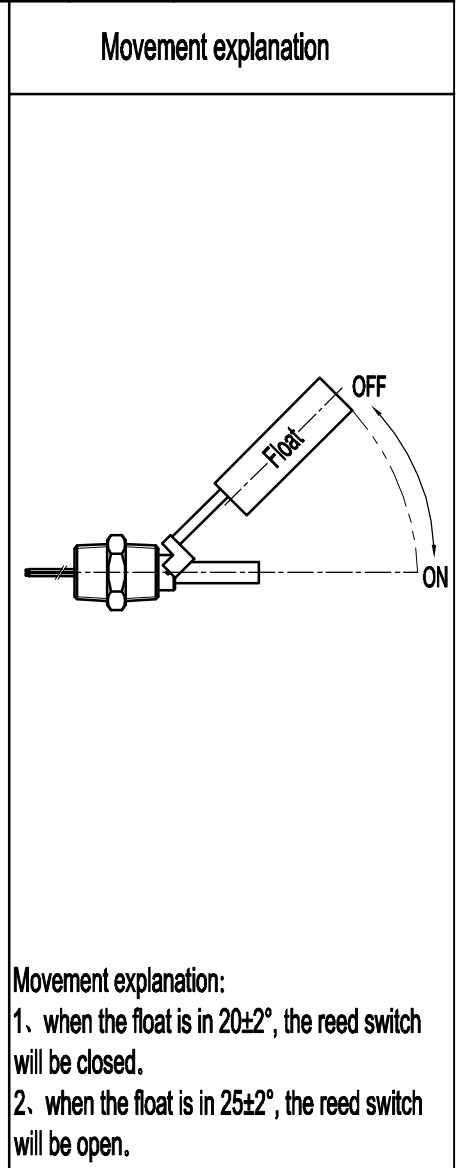
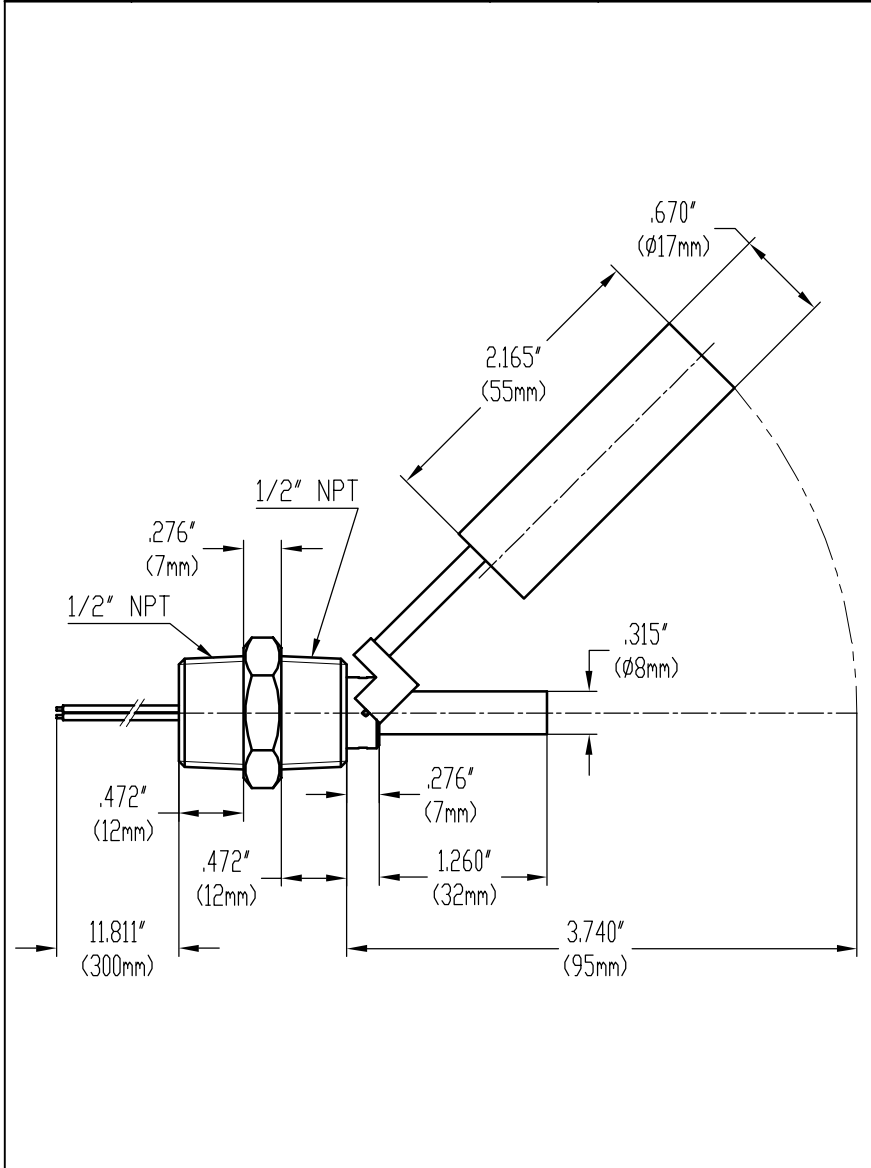


Specification

Customer		Name	Side mounted liquid level switch	Type	MR-L12-SS-2A
-----------------	--	-------------	----------------------------------	-------------	--------------



Material Specification			Electrical Specification			Physics Specification		
Part name	Specification	Quantity						
1.float ball	SUS304	1PC	1.contact form	A(N.O.)	1.float pressure	$\leq 0.7\text{MPa}$		
2.float body	SUS304	1PC	2.contact rating	50W	2.min resistance to vibration value	(11-1000HZ)		
3.cap nut	—	—	3.max switching current	DC350/AC300	3.applicable temperature	$-15 \sim +125^\circ\text{c}$		
4.o-ring	—	—	4.breakdown voltage	600min				
5.e-ring	—	—	5.max switching voltage	DC0.7/AC0.5				
6.wire	UL 1015 22# black	300mm	6.max carry current	2.5A				
7.filling	epoxy glue	—	7.contact resistance	100max				
8.terminal	—	—	8.insulation resistance	10^9min				
9.housing	—	—	9.get an electric shock life	10^7				
10.reed switch	229	1PC	designed by:	checked by:	drawing by:	drawing date:	scale:	

Ningbo Holleywin Export&Import Trade Co., LTD.	filename:		
	drawing no.	edition:	sheet: 1