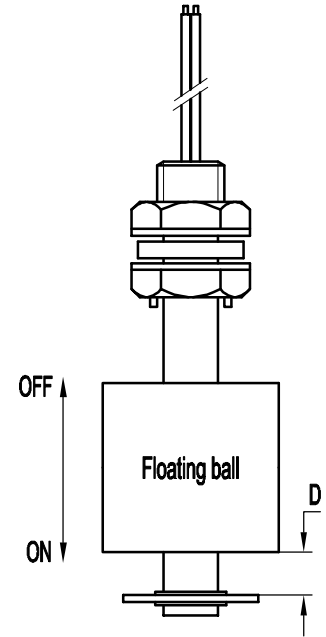
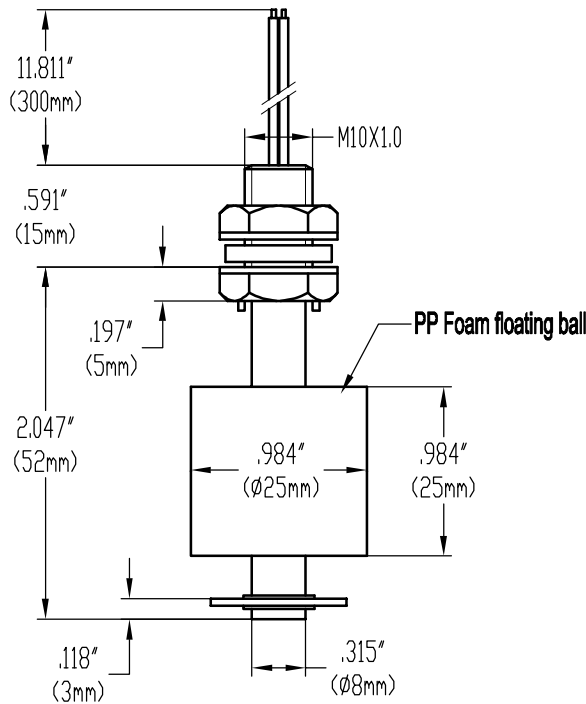


Specification

| | | | | | |
|----------|--|------|-----------------------|------|----------------|
| Customer | | Name | Plastic level sensors | Type | MR1052-PP-2A1C |
|----------|--|------|-----------------------|------|----------------|

Movement explanation



Movement explanation :
 When the float drops to the D position in the position between $D=3\pm 1\text{mm}$, the reed switches will be closed

| Material Specification | | | Electrical Specification | | | Physics Specification | | |
|------------------------|-------------------|----------|------------------------------|------------------|-------------------------------------|--------------------------------|--------|--|
| Part name | Specification | Quantity | 1.contact form | A(N.O.) | 1.float pressure | $\leq 0.2\text{MPa}$ | | |
| 1.float ball | PP white | 1PC | 2.contact rating | 50W | 2.min resistance to vibration value | (11-1000HZ) | | |
| 2.float body | PP white | 1PC | 3.max switching current | DC350/AC300 | 3.applicable temperature | $-10 \sim +85^{\circ}\text{c}$ | | |
| 3.cap nut | PP white | 1PC | 4.breakdown voltage | 600min | | | | |
| 4.o-ring | rubber | 1PC | 5.max switching voltage | DC0.7/AC0.5 | | | | |
| 5.e-ring | PP white | 1PC | 6.max carry current | 2.5A | | | | |
| 6.wire | UL 1007 24# black | 300mm | 7.contact resistance | 100max | | | | |
| 7.filling | epoxy glue | — | 8.insulation resis tance | 10^4min | | | | |
| 8.terminal | — | — | 9.get an electric shock life | 10^7 | | | | |
| 9.housing | — | — | designed by: | checked by: | drawing by: | drawing date: | scale: | |
| 10.reed switch | 229 | 1PC | | | | | | |

Ningbo Holleywin Export&Import Trade Co., LTD.

| | | |
|-------------|----------|----------|
| filename: | | |
| drawing no. | edition: | sheet: 1 |