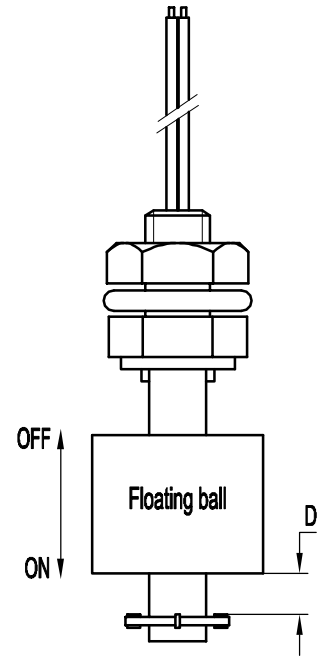
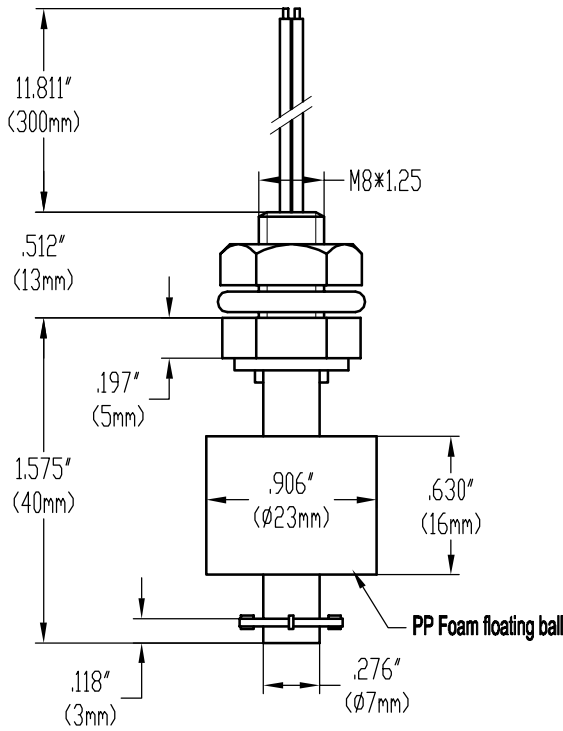


Specification

Customer		Name	Plastic level sensors	Type	MR0840-PP-2A1C
----------	--	------	-----------------------	------	----------------

Movement explanation



Movement explanation :
 When the float drops to the D position in the position between $D=3\pm 1\text{mm}$, the reed switches will be closed

Material Specification			Electrical Specification			Physics Specification		
Part name	Specification	Quantity	1.contact form	A(N.O.)	1.float pressure	$\leq 0.2\text{MPa}$		
1.float ball	PP	1PC	2.contact rating	50W	2.min resistance to vibration value	(11-1000HZ)		
2.float body	POM	1PC	3.max switching current	DC350/AC300	3.applicable temperature	$-10 \sim +85^{\circ}\text{c}$		
3.cap nut	POM	1PC	4.breakdown voltage	600min				
4.o-ring	rubber	1PC	5.max switching voltage	DC0.7/AC0.5				
5.e-ring	POM	1PC	6.max carry current	2.5A				
6.wire	UL 1007 24# black	300mm	7.contact resistance	100max				
7.filling	epoxy glue	—	8.insulation resistance	10^4min				
8.terminal	—	—	9.get an electric shock life	10^7				
9.housing	—	—	designed by:	checked by:	drawing by:	drawing date:	scale:	
10.reed switch	229	1PC						

Ningbo Holleywin Export&Import Trade Co., LTD.

filename:		
drawing no.	edition:	sheet: 1