

REVISION RECORD

| REV. | DESCRIPTION | ECN No. | APPROVED | DATE |
|------|-------------|---------|----------|------|
|      |             |         |          |      |

技术参数/Technical specification

插芯 Inserts

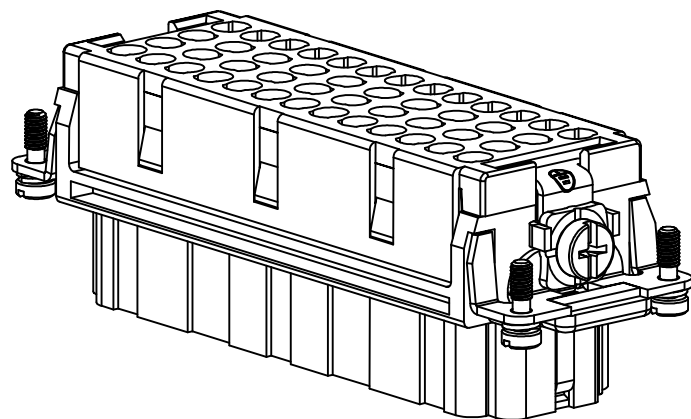
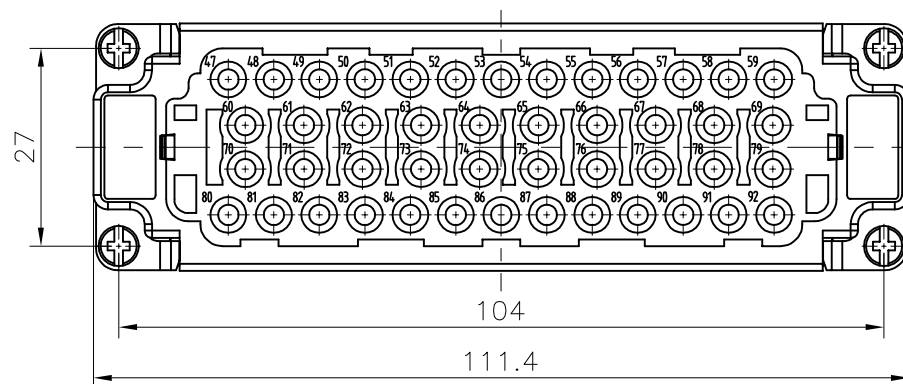
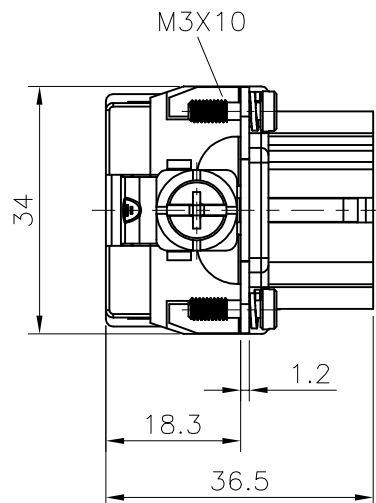
|   |                       |
|---|-----------------------|
| • 接插件针数 Number of contacts                      | 46+PE                 |
| • 额定电流 Rated current                            | 16A                   |
| • 额定电压 Rated voltage                            | 500V                  |
| • 额定脉冲电压 Rated impulse voltage                  | 6KV                   |
| • 污染程度 Pollution degree                         | 3                     |
| • 绝缘电阻 Insulation resistance                    | $\geq 10^{10} \Omega$ |
| • 材料 Material                                   | 聚碳酸酯 Polycarbonate    |
| • 颜色 Colour                                     | RAL7032 灰白 Light grey |
| • 依据UL/CSA额定电压 Rated voltage acc. to UL/CSA     | 600V                  |
| • 工作温度范围 Limiting temperatures                  | -40°C~+125°C          |
| • 依据UL94阻燃等级 Flammability acc. to UL94          | V0                    |
| • 可拔插次数 Mechanical working life (mating cycles) | $\geq 500$            |

插针 Contacts

|  |                                    |
|--|------------------------------------|
| • 材料 Material                          | 铜合金 Copper alloy                   |
| • 表面处理 Surface                         | 镀银 Silver plated<br>镀金 Gold plated |
| • 接触电阻 Contact resistance              | $\leq 1m\Omega$                    |
| • 接线方式 Terminal                        | 冷压连接 Crimp terminal                |
| • 导线规格 Wire gauge mm <sup>2</sup> /AWG | 0.14~4.0mm <sup>2</sup> /AWG 26~12 |
| • 拧紧力矩 Tightening torque               | M3/0.5 N.m M4/1.2 N.m              |
| • 剥线长度 Stripping length                | 7.5mm                              |

备注：压接触针需单独订购  
Note: Crimp contact pins should order separately

未注公差按DIN ISO 2768-c  
Undeclared tolerance according to DIN ISO 2768-c



|      |          |      |              |   |    |           |    |            |                   |                               |          |   |
|------|----------|------|--------------|---|----|-----------|----|------------|-------------------|-------------------------------|----------|---|
| DES. | CHEN HK  | DATE | 2023. 07. 06 | 单位 / UNITS  | mm | 尺寸 / SIZE | A4 | 比例 / SCALE | 1:1               | 第三视角 / THIRD ANGLE PROJECTION | 版本 / REV | A |
| CHK. | CEN LF   | DATE | 2023. 07. 06 |  慈溪市科发电子有限公司<br>CIXI KEFA ELECTRONICS CO., LTD |    |           |    | 名称 / TITLE | KEE-046-FC(47-92) |                               |          |   |
| APP. | HUANG DK | DATE | 2023. 07. 06 |   |    |           |    |            |                   |                               |          |   |