



科发电子  
高品质接线端子领先者

THE LEAD OF HIGH END TERMINAL BLOCK & CONNECTOR MANUFACTURER



微信公众号



# HEAVY DUTY CONNECTOR 重载连接器

Version: 2024.10  
[www.cnkefa.com](http://www.cnkefa.com)







# BRIEF INDUCTION 企业简介

慈溪市科发电子有限公司成立于1990年，是一家集研发设计，生产制造，售后服务为一体的规模化公司。公司秉承着以技术为核心，以战略为导向，以人文为灵魂的发展理念，在接线端子连接器行业一路领先；迄今为止，一共发展出10大类产品，10000余款种类，客户覆盖工业控制系统，轨道交通，安防，电梯，照明灯等行业。

公司占地20000平方米，其中建设厂房面积40000平方米，通过ISO9001，ISO14001，IATF16949等体系认证，用标准流程严格把控产品品质。2006年公司率先在行业内设立有经过德国VDE和美国UL认证的目击实验室，拥有膜厚测试仪，针焰测试仪，硬度测试仪，高低温交变测试仪，温升测试仪等。

科发电子有限公司立足制造根本，展望工业4.0，致力于成为接线端子领先者，让连接更加简洁，更加安全，更加智能。

继承大国制造，工匠精神是我们动力的源泉，我们的目标是成为一家多元化，多行业成套电气连接解决方案的供应商

CIXI KEFA ELECTRONICS CO.,LTD established in 1990, is an enterprise integrating research and development, production, after-sales service. The company has leading the field for decades rely on the core technology, culture as soul, strategy as directive. The company has ten series products which including 10000 styles. Our customer came from several industry which cover industrial automation, rail systems, security and protection, lighting, elevator system.

KEFA occupied the factory area for 25000sqms with the building area of 40000sqms. Our factory have been granted ISO9001, ISO14001 management system certification. KEFA is the first one who has set witness laboratory in2006, possess film thickness measurement machine, needle flame tester, stiffness tester and temperature rising machine.

KEFA based on manufacturing fundamentals and looking forward to Industry 4.0, is committed to becoming a leader in terminal blocks to make connections simpler, safer and more intelligent.

Inheriting the manufacturing of large countries, the craftsmanship is the source of our power. Our ambition is to become a diversified, multi industry system supplier of complete sets of electrical connection solutions



# 目录 CONTENTS

- ▶ 主要部件 Main Components ..... 01
- ▶ 产品型号描述说明 Product model description ..... 02
- ▶ 螺钉连接 接线技术 Screw Terminal ..... 03
- ▶ 压接型插针 安装拆卸使用说明 Crimp terminal Installation disassembly and use instructions ..... 04
- ▶ 直插式重载连接器产品介绍 Quick Lock Terminal ..... 05
- ▶ 接线端子类型 Terminal Type ..... 06
- ▶ 壳体系列对应的插芯 Housing Matched Contact Insert ..... 07-08
- ▶ 外壳防护等级 Ingress Protection ..... 09
- ▶ 应用领域 Application Area ..... 10
- ▶ 插体 Inserts
  - KA小型插体 Small Series ..... 11-13
  - KD超高密度插体 Ultra High Density Series ..... 14-15
  - KDD超高密度插体 Ultra High Density Series ..... 16-17
  - KE常规型插体 Standard Series ..... 18-22
  - KEE高密度插体 High Density Series ..... 23-24
  - KEEE高密度插体 High Density Series ..... 25
  - KQ紧凑小体积型插体 Compact Series ..... 26-31
  - KSB大电流型插体 High Current Series ..... 32-33
  - KK组合型插体 Combination Series ..... 34-49
  - KM模块型插体 Modular Series ..... 50-78
- ▶ 外壳 Hoods & Housings
  - 外壳特性 Hoods & Housings Feature ..... 79
  - K3A Series ..... 80
  - K10A/16A Series ..... 81
  - K32A Series ..... 82
  - K6B Series ..... 83
  - K10B Series ..... 84-85
  - K16B Series ..... 86-87
  - K24B Series ..... 88-89
  - K32B/K48B Series ..... 90
- ▶ 附件部分 Accessory
  - 外壳安装尺寸 Housings Mounting Dimensions ..... 91-93
  - 工具&编码 Tools& Coding ..... 94
  - 冷压针 Crimp Contacts ..... 95
  - 电缆接头选型指南 Cable Connector Part Number Guidelines ..... 96
  - 电缆接头 Cable Glands ..... 97-98
  - 联系方式 Contact Information ..... 99-100



► 主要部件 Main components

① 电缆接头/Cable gland:  
有M制与PG制螺纹区分, 选择时需看电缆或连接导线线径大小情况而定。  
M type thread or PG type thread ,depending on wire range of cables or conductors.

② 防护外壳上座/Hoods:  
有标准结构或高结构, 顶部或侧面出线, 2耳或4耳, 单扣或双扣形式。  
Standard or high construction, top or side cable entry, 2 or 4 locking point, 1 or 2 locking levers.

③ 公插针&母插针/Male contact & Female contact:  
材料通常为铜合金, 表面通常为镀银, 也可选择镀金。  
Normal material is copper alloy, silver plated or gold plated.

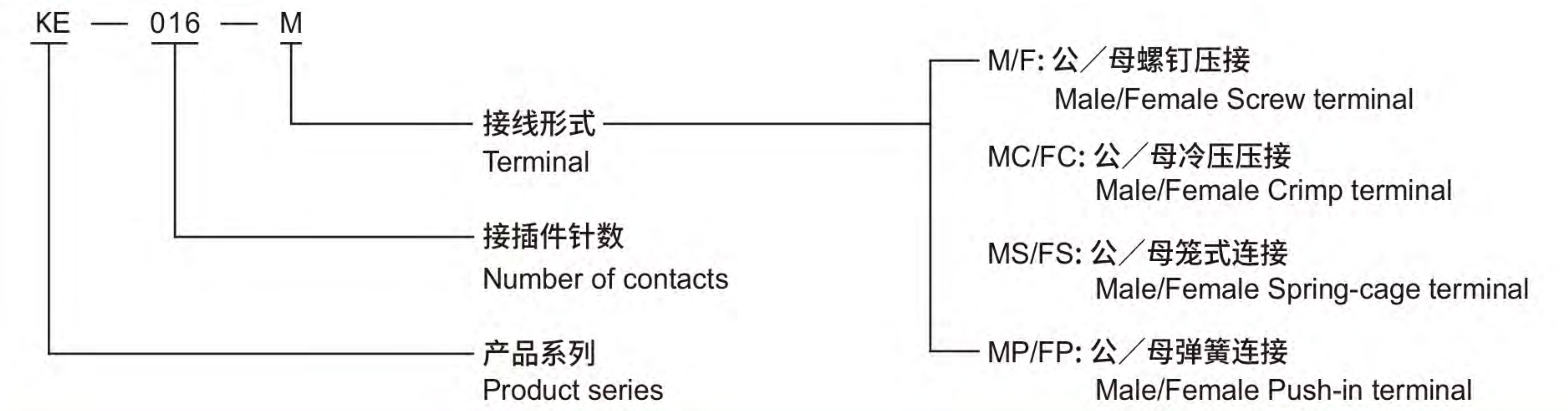
④ 公插体&母插体/Male insert & Female insert:  
连接方式有螺钉压接, 冷压压接, 笼式连接, 弹簧连接。  
Male insert with screw connection or crimp connection or cage-clamp connection or push-in connection.

⑤ 防护外壳底座/Housing:  
有开孔安装, 表面安装及电缆对接: 底座上锁扣方式有单扣或双扣及2耳、4耳的区别。  
Bulkhead mounting, surface mounting or cable to cable type, with 1 or 2 locking levers and 2 or 4 locking points.

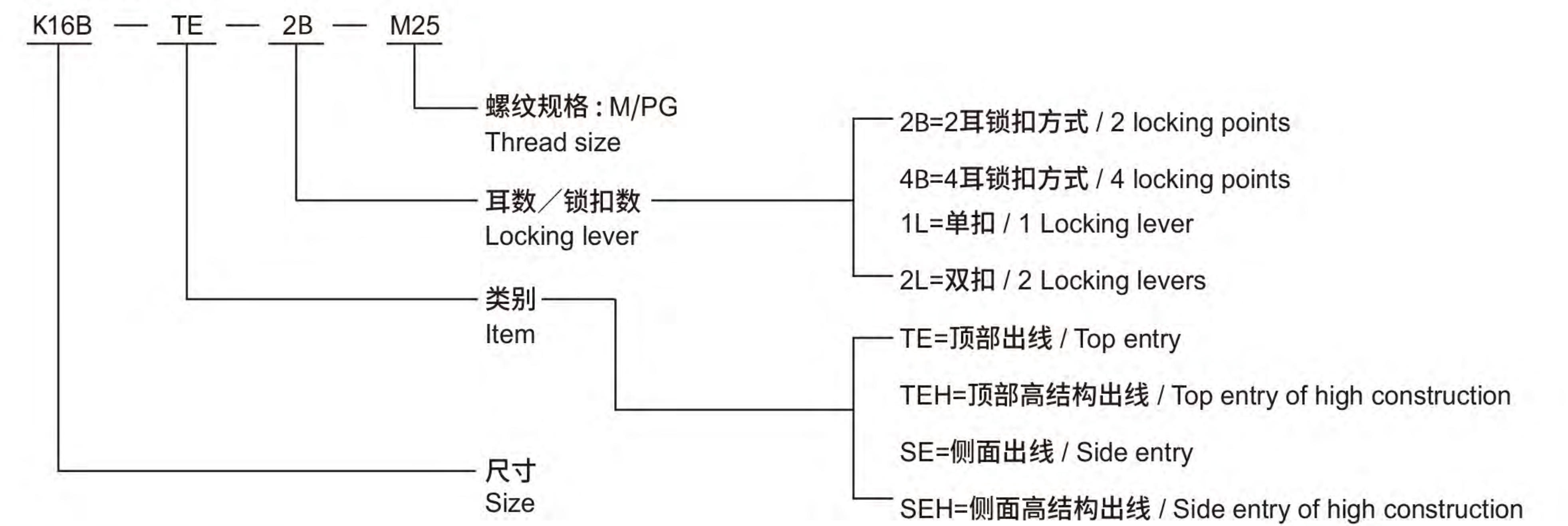
其他附件/Accessories:  
保护盖、编码销、工具。  
Protection covers/code and guide pins for coding/tools.

► 产品型号描述说明 Product model description

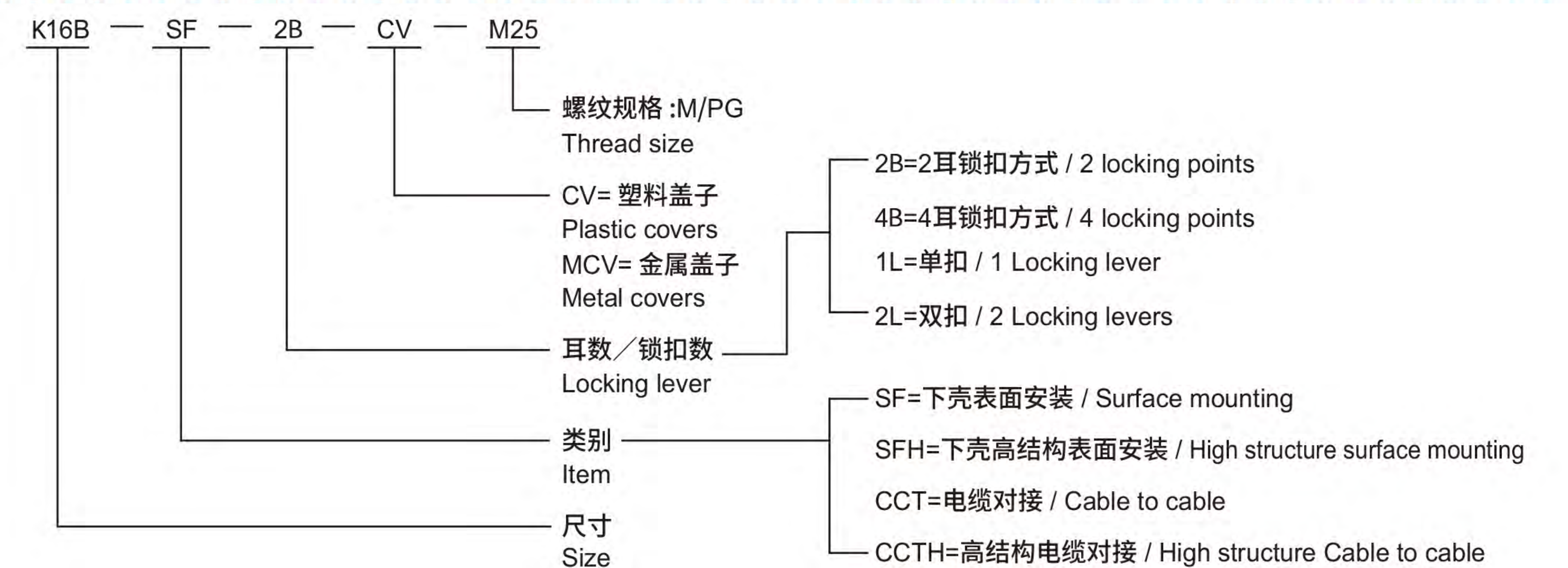
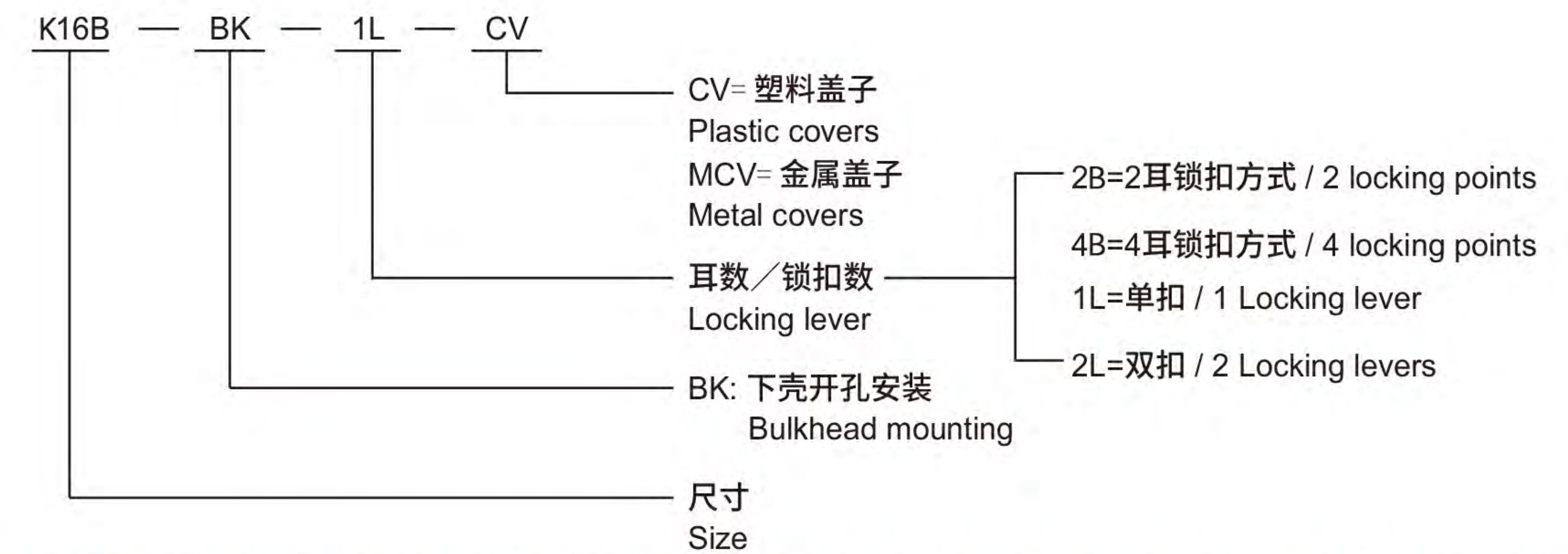
插体 Inserts



上壳 Hoods



下壳 Housings





► 螺钉连接 接线技术 Screw terminal

建议使用的拧紧力矩和螺丝刀的尺寸

螺丝规格	螺丝类别	插体	推荐拧紧力矩 (Nm)	推荐拧紧力矩 (Lbft)	推荐螺丝刀型号
M3	锁针螺丝	KA-003/KA-004, KQ-005/KQ-007/KQ-012 (PE)	0.25	0.20	一字PH0
	锁针螺丝	KD、KE、KK-6/6 (信号针)、KK-6/12 (信号针)	0.50	0.40	一字0.5x3.0
	锁针螺丝	KA-010/KA-016/KA-032, KE、KME-005, KWK-006/6 (信号针)	0.50	0.40	一字0.6x3.5 或 十字PH1
	固定在K3A外壳上螺丝	KA-003/KA-004, KD-007/KD-008, KQ-002/KQV-002/KQ-005/KQ-007/KQ-012	0.50	0.40	十字PH1或 十字PH2
	固定在K10A/K16A/K32A外壳上螺丝	KA-010/KA-016/KA-032 KD-128, KDD, KSB, KK, KWK, KE, KEE, KD、	0.50	0.40	一字0.6x3.5 或 十字PH1 或十字PH2
	编码销	CODE-M3, MCODE-M3, GBUSH-M3, GPIN-M3、MGBUSH-M3, MGPIN-M3	0.50	0.40	一字1x6.0
M3.5	接地螺丝	KA-010/KA-016/KA-032, KD-015/KD-025	0.80	0.60	一字0.6x3.5 或 十字PH1
M4	锁针螺丝	KSB-004/KSB-006/KSB-012	1.20	0.90	一字0.6x3.5 或 十字PH1
	接地螺丝	KE, KD-040/KD-064/KD-080/KD-128, KK-8/24, KWK-006, KK-6/6, KK-006/12, KK-8/0, KSB-004/KSB-006/KSB-012	1.20	0.90	一字0.8x4.5 或 十字PH2
M5	锁针螺丝	KWK-006/6 (电源针)	2	1.4	一字0.8x4.5
	接地螺丝	KK-012/2, KK-012/0, KK-004/0, KK-004/2, KK-4/8, KK-6/36	2	1.4	一字0.8x4.5 或 十字PH2
M6	锁针螺丝	KK-4/0 (电源针)、KK-4/2 (电源针)、KK-4/8 (电源针)	详见章节8对应产品的技术参数		一字0.8x4.5

一字螺丝刀依据ISO 2380  
十字螺丝刀依据ISO 8764

提高拧紧力矩不会根本改善接触电阻。扭矩是根据最佳的机械，热能和电气来计算的。如果大幅度超过推荐值，在某些极端的情况下会损坏导线或接头。

► 压接型插针 安装拆卸使用说明 Crimp terminal Installation disassembly and use instructions

装针步骤

**冷压针压接**

- 1.剥去导线绝缘层，参考剥线长度8mm；  
冷压针 去皮 8mm
- 2.将导线插入插针后孔，并用冷压钳铆压；  
铆压 插入
- 3.从插体后端面，将插针顺着插孔插入插体；  
后端面 插入 插体
- 4.将插针推入孔内至到位(听到清脆卡扣声表示插入到位)。  
无法拔出 卡簧卡入倒扣台阶

**冷压针压接**

- 1.将导线插入冷压针孔内底部
- 2.将插针插入合适的钳口  
钳口 冷压针 导线
- 3.压紧  
冷压针 导线
- 4.松开冷压钳，去除冷压针  
松开方向 完成

注意：针孔与导线必须匹配，否则有可能导致装线困难或压线不紧。

注意事项：冷压压接的工具关系到产品的品质稳定性，请选择我可认证的工具。

退针步骤

- 1.将TL-00退针器沿图示位置从插针前端面沿插孔垂直插入。  
前端面 插入 TL00退针器
- 2.将TL-00退针器插入底部，将卡簧锁紧，自然弹出插针  
退针套管将卡簧缩紧 顶针带有适当的弹力 取出方向
- 3.取出插针  
退回 轻松取出



▶ 直插式重载连接器产品介绍 Quick Lock Terminal

产品研发背景 Product development background

随着人工成本的持续升高，产品成本随之增加，导致工业设备厂家失去产品竞争力；而大部分工时的消耗发生在基础工艺工序；因此，有必要对基础元件的产品进行结构优化，提高工作效率，奥科直插式连接器颠覆传统接线工艺，在满足传统螺钉压接、笼式压接连接器，所有功能以外，在使用效率上有大幅提高。



产品推荐

功能描述 Function description

1 在开孔安装场合，直插式连接器可实现连接器预安装在柜体上，再接线，如图一

可实现连接器预安装在柜体上，再接线

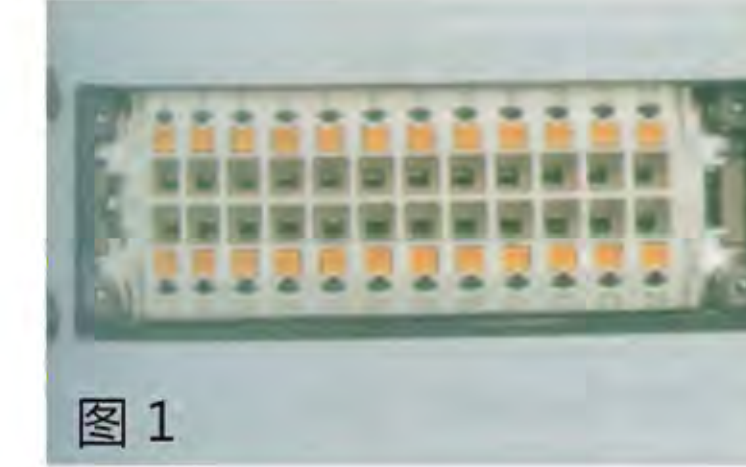


图 1

不能实现连接器预安装在柜体上，需先把底座固定在柜体上，然后把线接在芯件上，在把芯件固定在底座上



直插式 Quick lock terminal



图 2

其它压接方式 Other terminal



3 直插式接线方式可轻松的接线，当产品需增减某些线束时，直插式连接器也不需要拆装连接器壳体就可实现，如图三



图 3

4 直插式连接器为用户预留的测试孔，可实现带电测试，如图四



图 4

5 直插式连接器运用编码块（图五）替代传统的编码销，实现多个连接器防插错，工艺简单、成本极低、将编码块压入插槽内即可实现（图六）

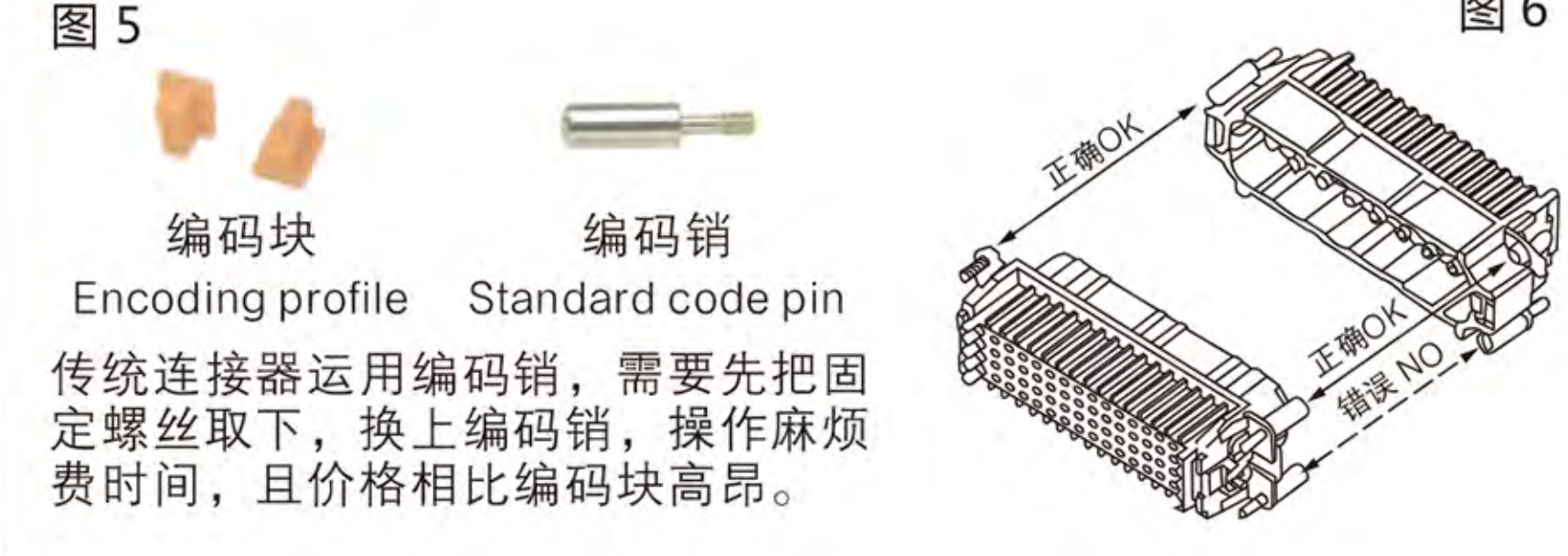


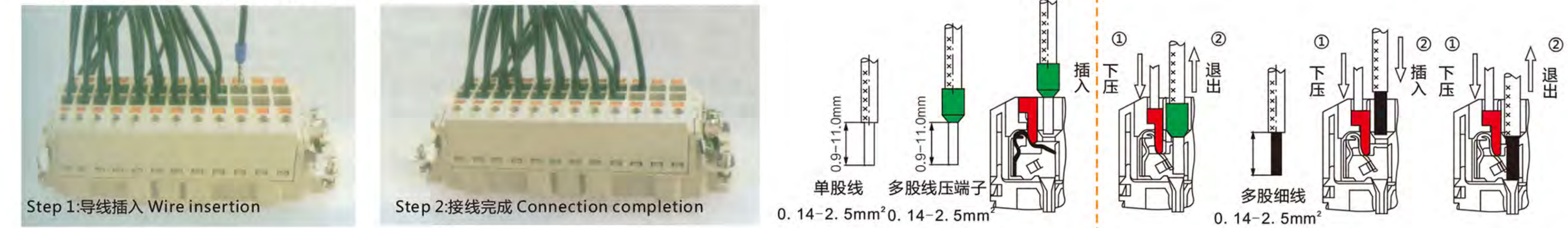
图 5

图 6

产品接线方式对比 Product wiring method

产品 Product	直插式 Quick lock terminal 24 inserts(公插M+母插F)	弹片压接 Cage-clamp terminal 24 inserts(公插M+母插F)	螺钉压接 Screw terminal 24 inserts(公插M+母插F)
接线耗时 Connection time	6分钟min	12.5分钟min	15分钟min

1 直插式弹片接线方式 Quick Lock terminal



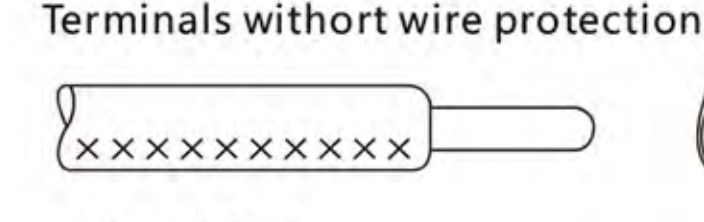
2 普通弹片接线方式 Cage-clamp terminal



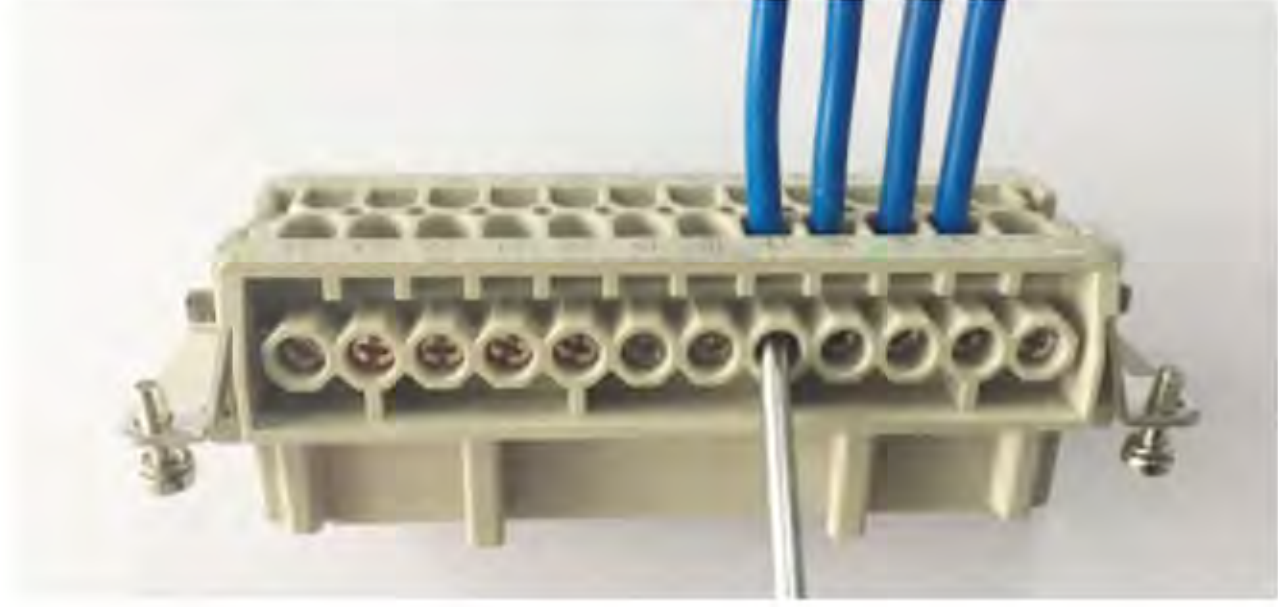
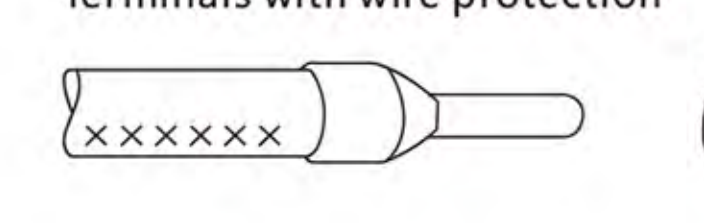
3 螺钉接线方式 Screw terminal

手工拧紧或电动螺丝刀拧紧，拧紧力不一致，导致螺丝没拧到位，同时在振动条件，螺丝有松脱可能。因为拧紧力度不一样，使用工具的不规范，容易导致十字螺丝头打滑，从而极大的增加了作业人员的劳动强度。

无线保护装置 Terminals without wire protection



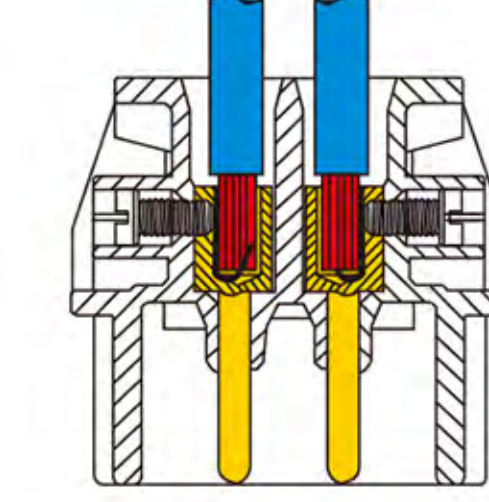
有线保护装置 Terminals with wire protection



▶ 接线端子类型 Terminal Type

螺钉压接形式 Screw terminal

KA系列 Kaseries  
KE系列 KE series  
KSB系列 KSB series  
KK系列 KK series  
KWK系列 KWK series



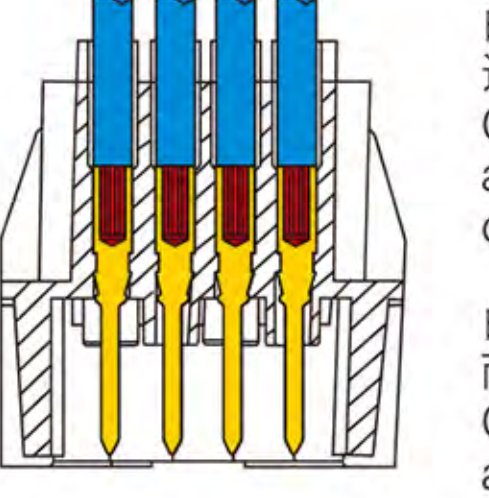
操作简单 Easy handling

无需专用工具 No special tools

接插芯 Inserts	最大线规 Max.wire gauge		剥线长度L(mm) Stripping length L(mm)	
	mm <sup>2</sup>	AWG		
KA-003,KA-004	2.5	14	4.5	
KA	2.5	14	7.5	
KE	4.0	12	7.5	
KSB	6.0	10	11.5	
KK,KWK	16.0	5.0	14	

冷压压接形式 Crimp terminal

KD系列 KD series  
KDD系列 KDD series



由于压接质量均匀，所以通电阻恒定 Constant contact resistance as a result of precisely repeated crimp connection quality

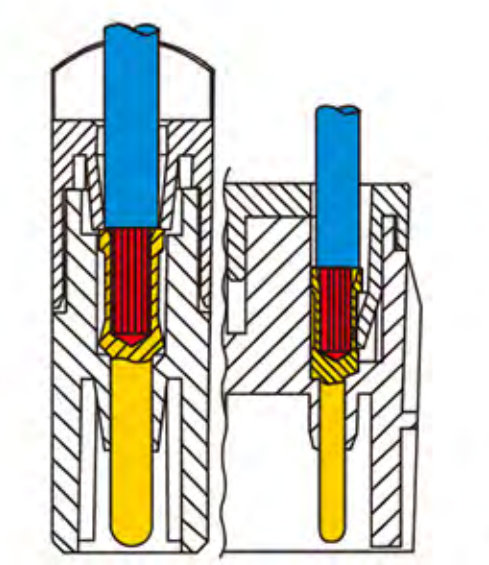
由于接近于冷焊，所以保证了耐腐蚀性 Corrosion free connections as a result of cold weld action

接插芯 Inserts	最大线规 Max.wire gauge		剥线长度L(mm) Stripping length L(mm)	
	mm <sup>2</sup>	AWG	HDD/HD	HEC/HAC
KD	0.5	20	8.0	7.5
	0.75	18	8.0	7.5
KDD	1.0	18	8.0	7.5
	1.5	16	8.0	7.5
KM(10A)	2.5	14	8.0	7.5
	4.0	12	8.0	7.5

KM系列 Series

KEEE系列 Series

KE/KEE系列 Series



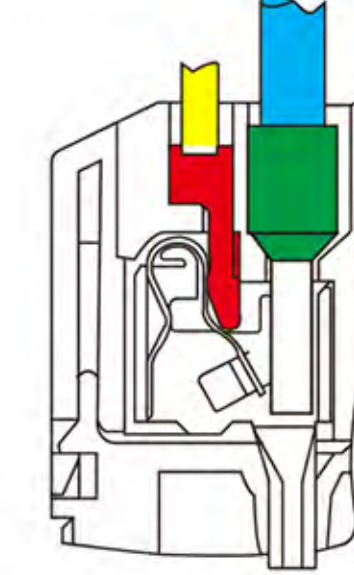
预制了带压接针的电缆束 Pre-preparation of cable forms with crimp contacts fitted

从根本上提高了布线速度 Optimum cost cable connection

接插芯 Inserts	最大线规 Max.wire gauge		剥线长度L(mm) Stripping length L(mm)	
	mm <sup>2</sup>	AWG	HEE/HM(40A)	
KE	0.5	20	7.5	
	0.75	18	7.5	
KEE	1.0	18	7.5	
	1.5	16	7.5	
KEEE	2.5	14	7.5	
	4.0	12	7.5	

弹片压接端子形式 Cage-clamp terminal

KE系列 Series



这种连接技术对操作和工具的要求较小，且具有较高的功能安全性。 This termination method requires very little preparation of the wire and on special tools,leading to a low installed cost and a high degree of mechanical security. 由于操作人员可以看到导线和螺丝刀，因此具有较高的操作舒适度。 Ease of termination.Conductor and screwdriver are in same plane.

接插芯 Inserts	最大线规 Max.wire gauge		剥线长度L(mm) Stripping length L(mm)	
	mm <sup>2</sup>	AWG		
KE	0.5-2.5	20-14	9-11	

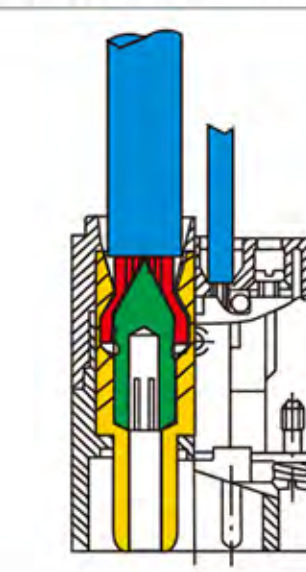
无需对导线头进行特殊处理。 No special preparation of stripped conductor. 安装状态下可从接线侧进行检测。 From the terminal side for testing installation condition. 夹紧力随导线截面的增加而提高。 The larger the conductor the higher the clamping force. 导线连接防振动和冲击。 The termination is vibration-proof.

轴向螺栓压接形式 Axial screw terminal

KK-8/0

KK-6/12

KK-6/6



节省空间 Less space required

操作简单 Easy handling

无需专用工具 No special tools

接插芯 Inserts	最大线规 Max.wire gauge		剥线长度L(mm) Stripping length L(mm)	
	mm <sup>2</sup>	AWG		
KK-6/6	16-35	5-2	13-14	
KK-6/12	2.5-10	13/-1	8-9	
KK-8/0	10-25	16/-1	6-7	

建议使用的拧紧力矩和螺丝刀的尺寸 Recommended screw drivers and tightening torques

螺钉尺寸 Size of screw	接插件类型 Connector type	拧紧力矩 (Φ) Tightening torque [Nm]	拧紧力矩 (Φ) Tightening torque [Nm]	建议使用螺丝刀尺寸 Recommended size of screw driver
M3	螺钉端子 Screw terminal HA-003/HA-004/HQ-005	0.25	0.20	0.4×2.5
M3	螺钉端子 Screw terminal HA-010/HA-016	0.50	0.40	0.5×3.5 or ±size 1
M3	all kinds, guiding pins and bushes Screw terminal HE, HEAV fixing screws of 螺钉端子 KE 定位及固定用	0.50	0.40	0.5×3.5
M4	接地端子螺钉 Ground terminal KA,KE,KD,KDD	1.20	0.90	0.5×3.5 or ±size 1+2
M4	端子块 Terminal blocks KSB	1.20	0.90	0.8×4.5
M5	接地端子螺钉 Ground terminal KSB	2.00	1.40	0.8×4.5 or 1.2×8.0





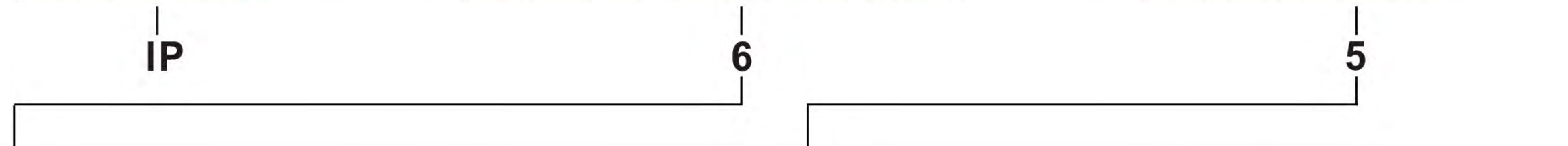


▶ 外壳防护等级 Ingress Protection

连接器上的外壳和联锁扣保护了自身的针位置免受外部机械损伤，比如冲击、异物、灰尘、无意的接触、湿气、水或洗涤剂、冷却液、油等其它立方体的浸入。外壳所能提供的防护等级是由 IEC60529 或 DIN EN60529 标准确定的，这些标准中包含了各种保护等级的划分情况。下图是保护等级一览表。按如下方式进行说明：

The connector's housing, sealing and locking mechanism protect the connection from external influences such as mechanical shocks, foreign bodies, humidity, dust, water or other fluids such as cleaning and cooling agents, oils, etc. The degree of protection the housing offers is explained in the IEC60529, DIN EN60529, standards that categorize enclosures according to foreign body and water protection.

字母代号 Code letters                      第一个数字 First Index Figure                      第二个数字 Second Index Figure  
(International protection)                      (防固体异物保护 Foreign bodies protection)                      (防水保护 Water protection)



数字 Index figure	保护范围 Index figure	数字 Index figure	保护范围 Index figure
0	无安全防护 No protection 无触摸保护，无防固体异物保护 No protection against accidental contact, no protection against solid foreign bodies	0	无防水保护 No protection against water 无防水保护 No protection against water
1	防大件异物保护 Protection against large foreign bodies 防止手部大面积接触，防止直径大于50mm的异物 Protection against contact with any large area by hand and against large solid foreign bodies with $\phi > 50\text{mm}$	1	防滴水保护 Drip-proof 防止垂直滴落的水滴 Protection against vertical water drips
2	防中等大小异物保护 Protection against medium sized foreign bodies 防止手指接触，防止直径大于12mm的异物 Protection against contact with the fingers, protection against solid foreign bodies with $\phi > 12\text{mm}$	2	防倾斜滴水保护 Drip-proof 防止倾斜滴落的水滴（在垂直面15°以内的任何角度） Protection against water drips (up to a 15° angle)
3	防小件异物保护 Protection against small solid foreign bodies 防止工具、铁丝等直径大于2.5mm的物件接触，防止直径大于2.5mm的异物 Protection against tools, wires or similar objects with $\phi > 2.5\text{mm}$ , protection against small foreign solid bodies with $\phi > 2.5\text{mm}$	3	防河水保护 Spray-proof 防止来自垂直面60°以内任意角度的河水 Protection against diagonal water drips (up to a 60° angle)
4	防颗粒状异物保护 Protection against grain-shaped foreign bodies 同3中所述但异物直径大于1mm As 3 however $\phi > 1\text{mm}$	4	防喷水保护 Splash-proof 防止来自任意角度喷水 Protection against splashed water from all direction
5	防灰尘沉积保护 Protection against injurious deposits of dust 防止接触，防止内部灰尘沉积，防止内部灰尘沉积 Full protection against contact, protection against interior injurious dust deposits	5	防射水保护 Hose-proof 防止来自任意角度的喷射水柱（从喷嘴射出） Protection against water (out of a nozzle) from all directions
6	防灰尘进入保护 Protection against ingress of dust 全面防止接触，防止灰尘进入，防止灰尘进入 Total protection against contact, protection against penetration of dust	6	超强防射水保护 Strong hose-proof 防止所有方向的水（大量从喷嘴射出的） Protection against strong water (out of a nozzle) from all directions
		7	防浸水保护 Protection against immersion 防止暂时性的浸水 Protection against temporary immersion
		8	防潜水保护 Protection water tight 防止长时间浸没时加压水进入 Protection against water pressure

应用领域

科发电子连接器广泛用于机器人、工业自动化、热流道模具、数控设备、纺织机械、轨道交通、电力行业、能源、风力发电等各种需要电气和信号连接的设备中；能够满足不同领域、不同场合的电气或信号的连接要求。

FIELD OF APPLICATION

KEFA connectors are widely used in hot runner mold, robot, industrial automation, CNC equipment, textile machinery, rail transit, electric power industry, energy, wind power generation and so on various equipments requiring electrical and signal connection; it can meet electrical or signal connection requirement of different fields and situations.

**工业自动化**  
Industrial automation

**电力能源**  
Electric Energy

**工程机械**  
Construction machinery

**轨道交通**  
Rail transit



► KA · Series



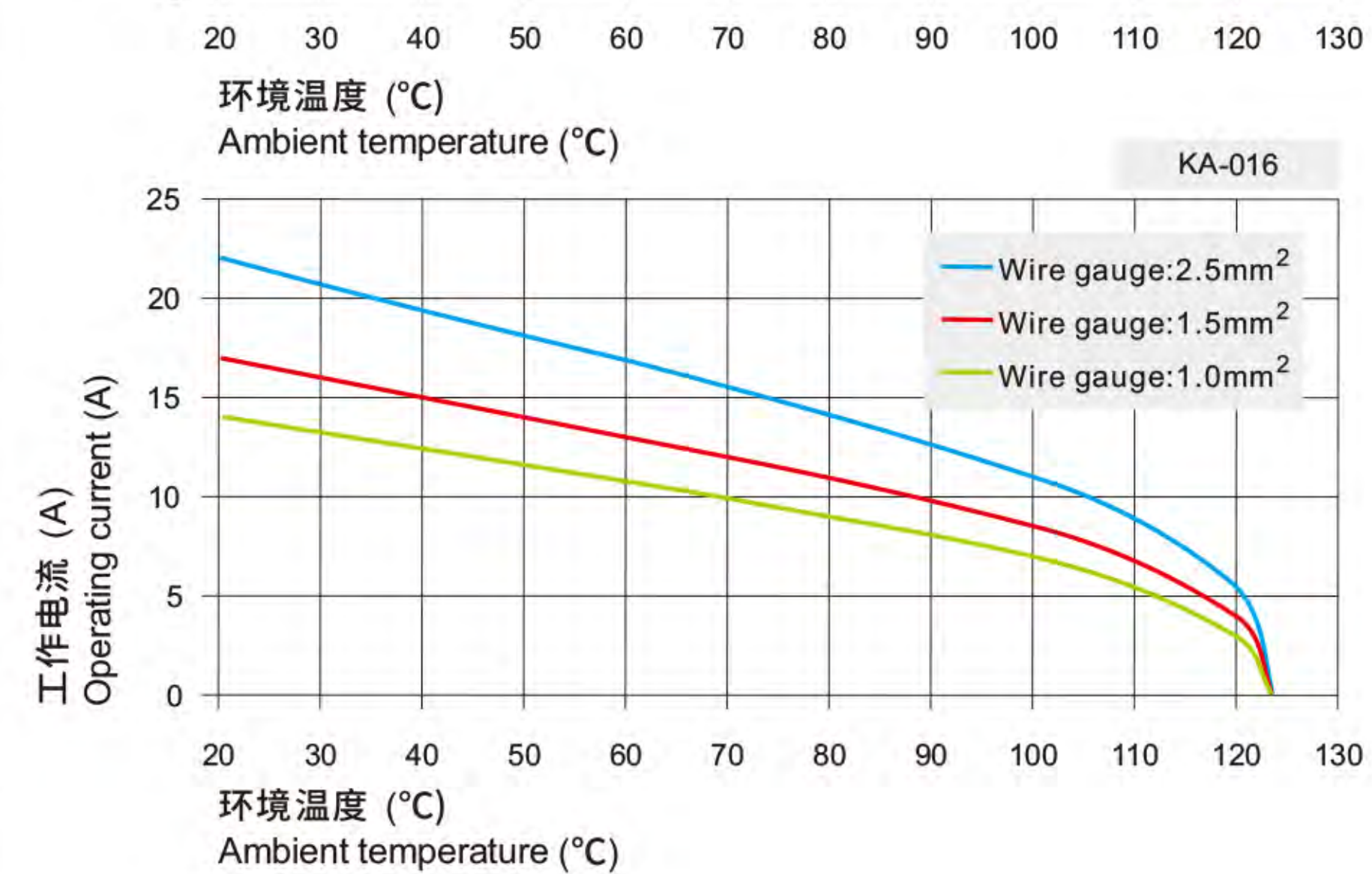
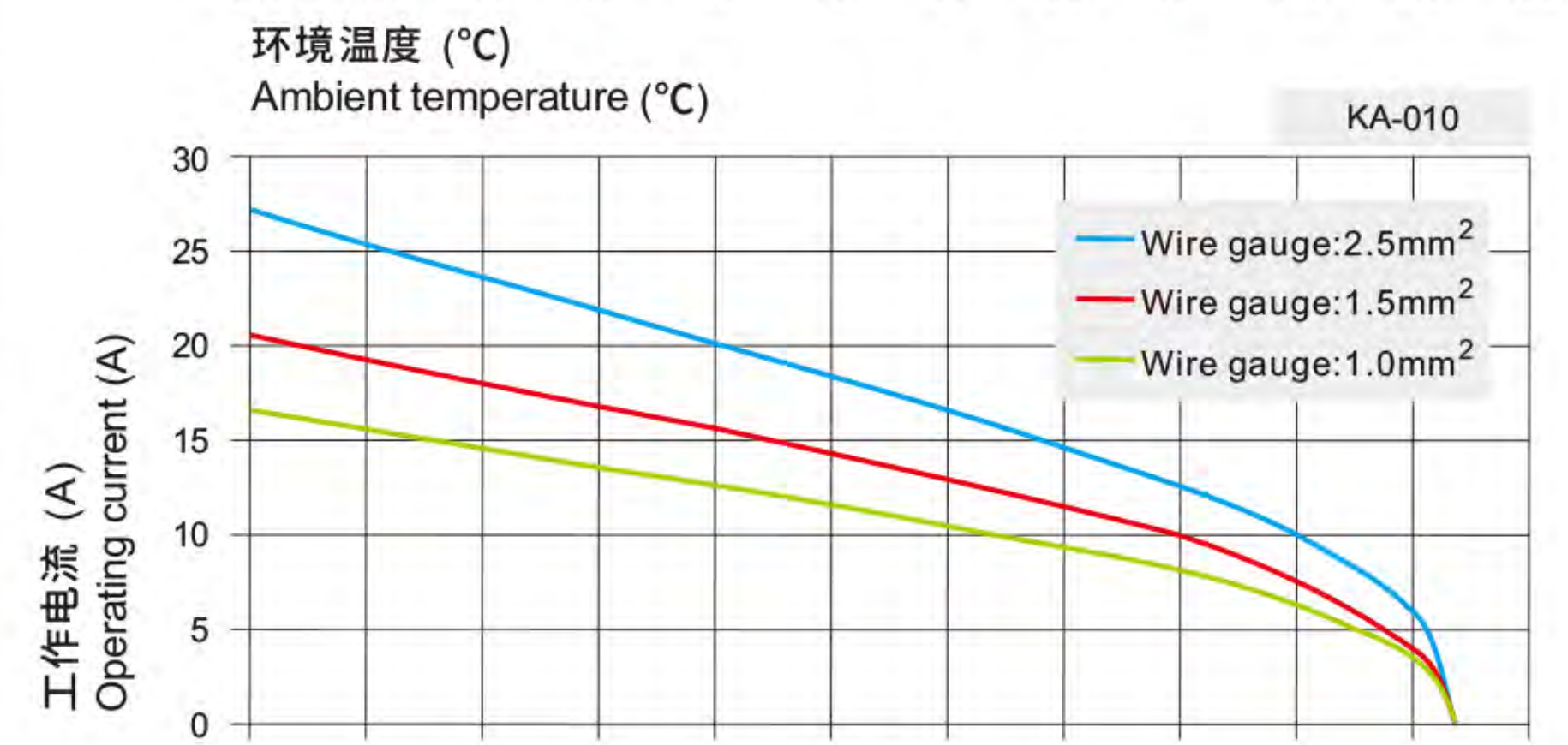
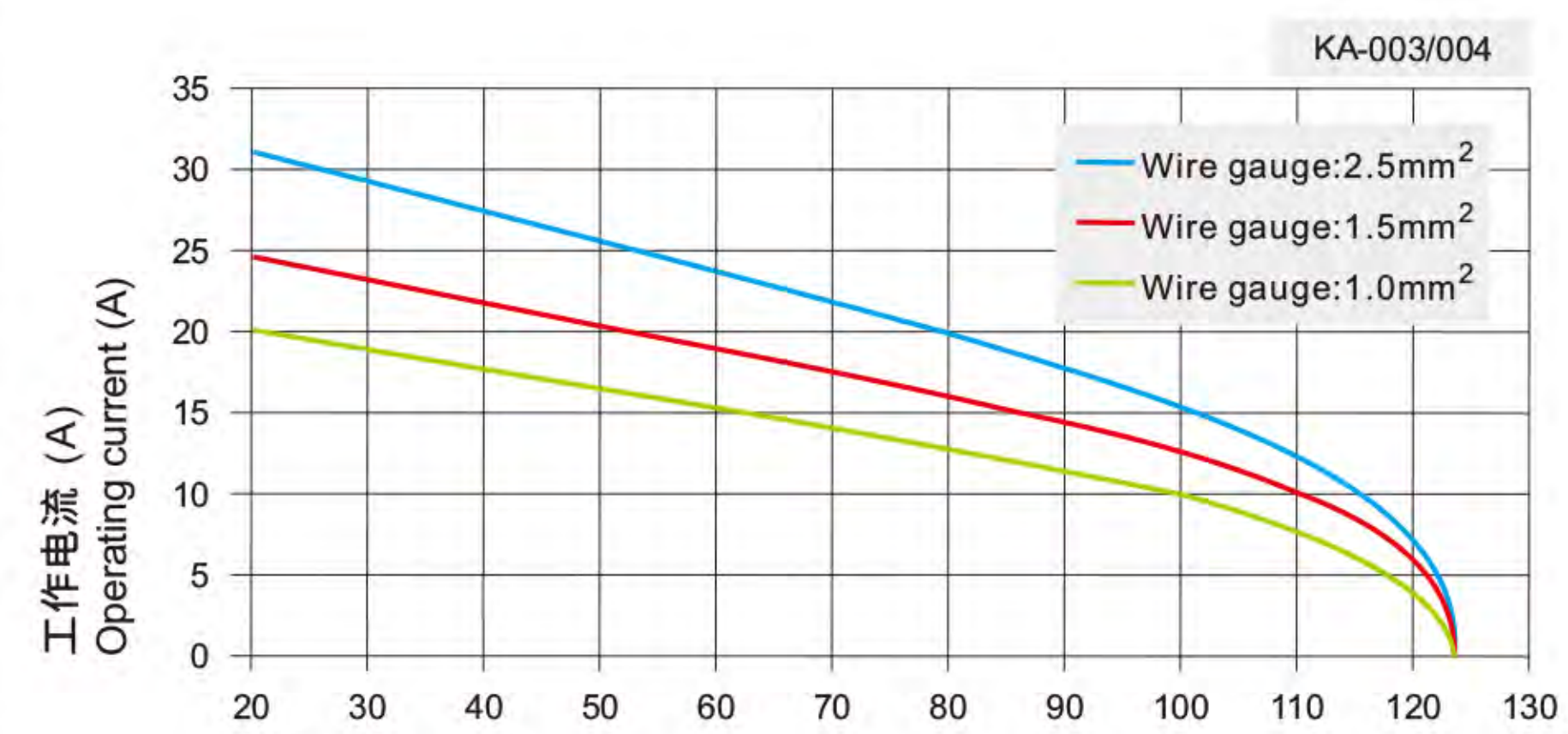
► 技术参数 Technical characteristics

规范 Specifications	DIN EN 60 664 DIN EN 61 984
插芯 Inserts	
接插件针数 Number of contacts	3,4,10,16,32(2X16)+PE
KA-003/004	
• 额定电流 Rated current	10A
• 相对地额定电压 Rated voltage conductor-ground	230V
• 相间额定电压 Rated voltage conductor-conductor	400V
• 额定脉冲电压 Rated impulse voltage	4KV
• 污染程度 Pollution degree	3
• 或 or	10A 250V 4KV 3
KA-010/016	
• 额定电流 Rated current	16A
• 额定电压 Rated voltage	250V
• 额定脉冲电压 Rated impulse voltage	4KV
• 污染程度 Pollution degree	3
• 污染等级2时的参数 Pollution degree 2 also	16A 230/400V 4KV 2
依据UL/CSA额定电压 Rated voltage acc.to UL CSA	600V
绝缘电阻 Insulation resistance	≥ 10 <sup>10</sup> Ω
材料 Material	聚碳酸酯 Polycarbonate
工作温度范围 Limiting temperatures	-40 °C ~ +125 °C
依据UL94阻燃等级 Flammability acc.to UL94	V0
可拔插次数 Mechanical working life-mating cycles	≥ 500
插针 Contacts	
材料 Material	铜合金 Copper alloy
表面处理 Surface	镀金 Gold plated 镀银 Silver plated
接触电阻 Contact resistance	≤ 1m Ω
螺钉连接 Screw terminal	
• 导线规格 Wire gauge	1-2.5mm <sup>2</sup>
• AWG	18-14
• 拧紧力矩 Tightening torque	0.25Nm(KA-003/004) or 0.5Nm(KA-010/016)
冷压连接 Crimp terminal	
• 导线规格 Wire gauge	0.14-4mm <sup>2</sup>
• AWG	26-12
弹片连接 Cage-clamp	
• 导线规格 Wire gauge	0.14-2.5mm <sup>2</sup>
• AWG	26-14

电流负载能力 Current carrying capacity

电流负载能力所受的限制主要来自包含接插针的接插体可承受的最大温度。The current carrying is limited by maximum temperature of materials for Inserts and contacts including terminals.

测试和控制过程依据DIN EN 60512-5。Measuring and testing techniques according to DIN EN 60512-5.



**3+PE**  
螺丝连接 Screw terminal

	公 Male	母 Female
型号Type:	KA-003-M	KA-003-F
技术数据 Tech data:		
额定电流 Rated current:	10A	
额定电压 Rated voltage:	250V	
导线规格 Wire gauge:	0.75-1.5mm <sup>2</sup> 18-14AWG	
上壳&底座 Hoods&Housings:	匹配3A外壳, 请参考P80页 Matching 3A Hoods Housing, detail on P80	

**3+PE**  
弹片连接 Cage-clamp

	公 Male	母 Female
型号Type:	KA-003-MS	KA-003-FS
技术数据 Tech data:		
额定电流 Rated current:	10A	
额定电压 Rated voltage:	250V	
导线规格 Wire gauge:	0.5-2.5mm <sup>2</sup> 20-14AWG	
上壳&底座 Hoods&Housings:	匹配3A外壳, 请参考P80页 Matching 3A Hoods Housing, detail on P80	

**4+PE**  
螺丝连接 Screw terminal

	公 Male	母 Female
型号Type:	KA-004-M	KA-004-F
技术数据 Tech data:		
额定电流 Rated current:	10A	
额定电压 Rated voltage:	250V	
导线规格 Wire gauge:	0.75-1.5mm <sup>2</sup> 18-14AWG	
上壳&底座 Hoods&Housings:	匹配3A外壳, 请参考P80页 Matching 3A Hoods Housing, detail on P80	

**4+PE**  
弹片连接 Cage-clamp

	公 Male	母 Female
型号Type:	KA-004-MS	KA-004-FS
技术数据 Tech data:		
额定电流 Rated current:	10A	
额定电压 Rated voltage:	250V	
导线规格 Wire gauge:	0.5-2.5mm <sup>2</sup> 20-14AWG	
上壳&底座 Hoods&Housings:	匹配3A外壳, 请参考P80页 Matching 3A Hoods Housing, detail on P80	

**10+PE**  
螺丝连接 Screw terminal

	公 Male	母 Female
型号Type:	KA-010-M	KA-010-F
技术数据 Tech data:		
额定电流 Rated current:	16A	
额定电压 Rated voltage:	250V	
导线规格 Wire gauge:	0.75-2.5mm <sup>2</sup> 18-14AWG	
上壳&底座 Hoods&Housings:	匹配10A外壳, 请参考P81页 Matching 10A Hoods Housing, detail on P81	

**16+PE**  
螺丝连接 Screw terminal

	公 Male	母 Female
型号Type:	KA-016-M	KA-016-F
技术数据 Tech data:		
额定电流 Rated current:	16A	
额定电压 Rated voltage:	250V	
导线规格 Wire gauge:	0.75-2.5mm <sup>2</sup> 18-14AWG	
上壳&底座 Hoods&Housings:	匹配16A外壳, 请参考P81页 Matching 16A Hoods Housing, detail on P81	

**32+PE**  
螺丝连接 Screw terminal

	公 Male	母 Female
型号Type:	KA-016-M KA-016-M(17-32)	KA-016-F KA-016-F(17-32)
技术数据 Tech data:		
额定电流 Rated current:	16A	
额定电压 Rated voltage:	250V	
导线规格 Wire gauge:	0.75-2.5mm <sup>2</sup> 18-14AWG	
上壳&底座 Hoods&Housings:	匹配32A外壳, 请参考P82页 Matching 32A Hoods Housing, detail on P82	

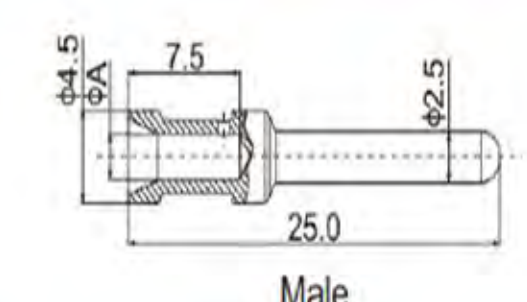
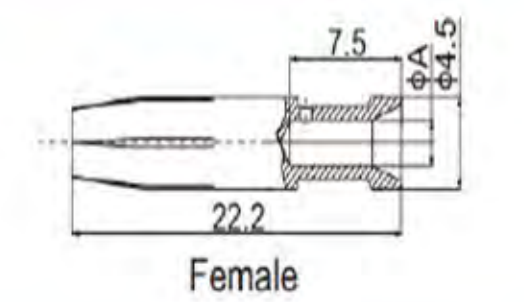


10+PE		16+PE		32+PE	
冷压连接 Criap terminal		冷压连接 Criap terminal		冷压连接 Criap terminal	
					
型号Type:	公 Male KA-010-MC 母 Female KA-010-FC	型号Type:	公 Male KA-016-MC 母 Female KA-016-FC	型号Type:	公 Male KA-016-MC KA-016-MC (17-32) 母 Female KA-016-FC KA-016-FC (17-32)
技术数据 Tech data:		技术数据 Tech data:		技术数据 Tech data:	
额定电流 Rated current:	16A	额定电流 Rated current:	16A	额定电流 Rated current:	16A
额定电压 Rated voltage:	250V	额定电压 Rated voltage:	250V	额定电压 Rated voltage:	250V
导线规格 Wire gauge:	0.14-4.0mm <sup>2</sup> 26-12AWG	导线规格 Wire gauge:	0.14-4.0mm <sup>2</sup> 26-12AWG	导线规格 Wire gauge:	0.14-4.0mm <sup>2</sup> 26-12AWG
上壳&底座 Hoods&Housings:	匹配10A外壳, 请参考P81页 Matching 10A Hoods Housing, detail on P81	上壳&底座 Hoods&Housings:	匹配16A外壳, 请参考P81页 Matching 16A Hoods Housing, detail on P81	上壳&底座 Hoods&Housings:	匹配32A外壳, 请参考P82页 Matching 32A Hoods Housing, detail on P82

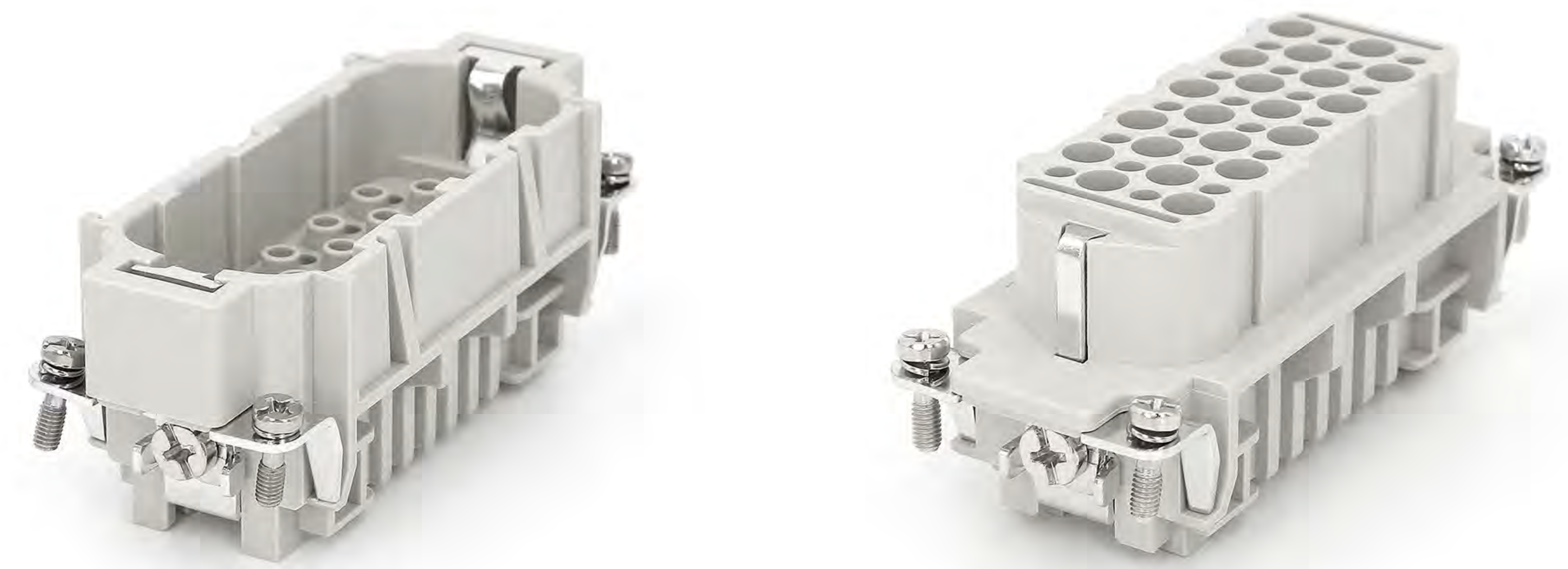
▶ 附件 Accessories

选择冷压连接时, 需要另外配针, 如下附件:

When cold pressing connection is selected, additional stitches are needed, as shown in the attachment below:

(16A) Crimp contacts	Matching: KA,KE,KEE,KM,KK inserts		Material: Copper alloy	Contact resistance ≤1mΩ
Terminal: Crimp connection	Male Contacts	Female Contacts		
Silver plated	KF-16A-SM-0.37	KF-16A-SF-0.37		
	KF-16A-SM-0.5	KF-16A-SF-0.5		
	KF-16A-SM-0.75	KF-16A-SF-0.75		
	KF-16A-SM-1.0	KF-16A-SF-1.0		
	KF-16A-SM-1.5	KF-16A-SF-1.5		
	KF-16A-SM-2.5	KF-16A-SF-2.5		
	KF-16A-SM-4.0	KF-16A-SF-4.0		
Gold plated	KF-16A-GM-0.37	KF-16A-GF-0.37		
	KF-16A-GM-0.5	KF-16A-GF-0.5		
	KF-16A-GM-0.75	KF-16A-GF-0.75		
	KF-16A-GM-1.0	KF-16A-GF-1.0		
	KF-16A-GM-1.5	KF-16A-GF-1.5		
	KF-16A-GM-2.5	KF-16A-GF-2.5		
	KF-16A-GM-4.0	KF-16A-GF-4.0		
			Wire gauge	Recommended stripping length
			mm <sup>2</sup>	AWG
			0.14-0.37	26-22
			0.5	20
			0.75	18
			1.0	18
			1.5	16
			2.5	14
			4.0	12
				φA
				0.9
				1.1
				1.3
				1.45
				1.75
				2.25
				2.85

▶ KD · Series



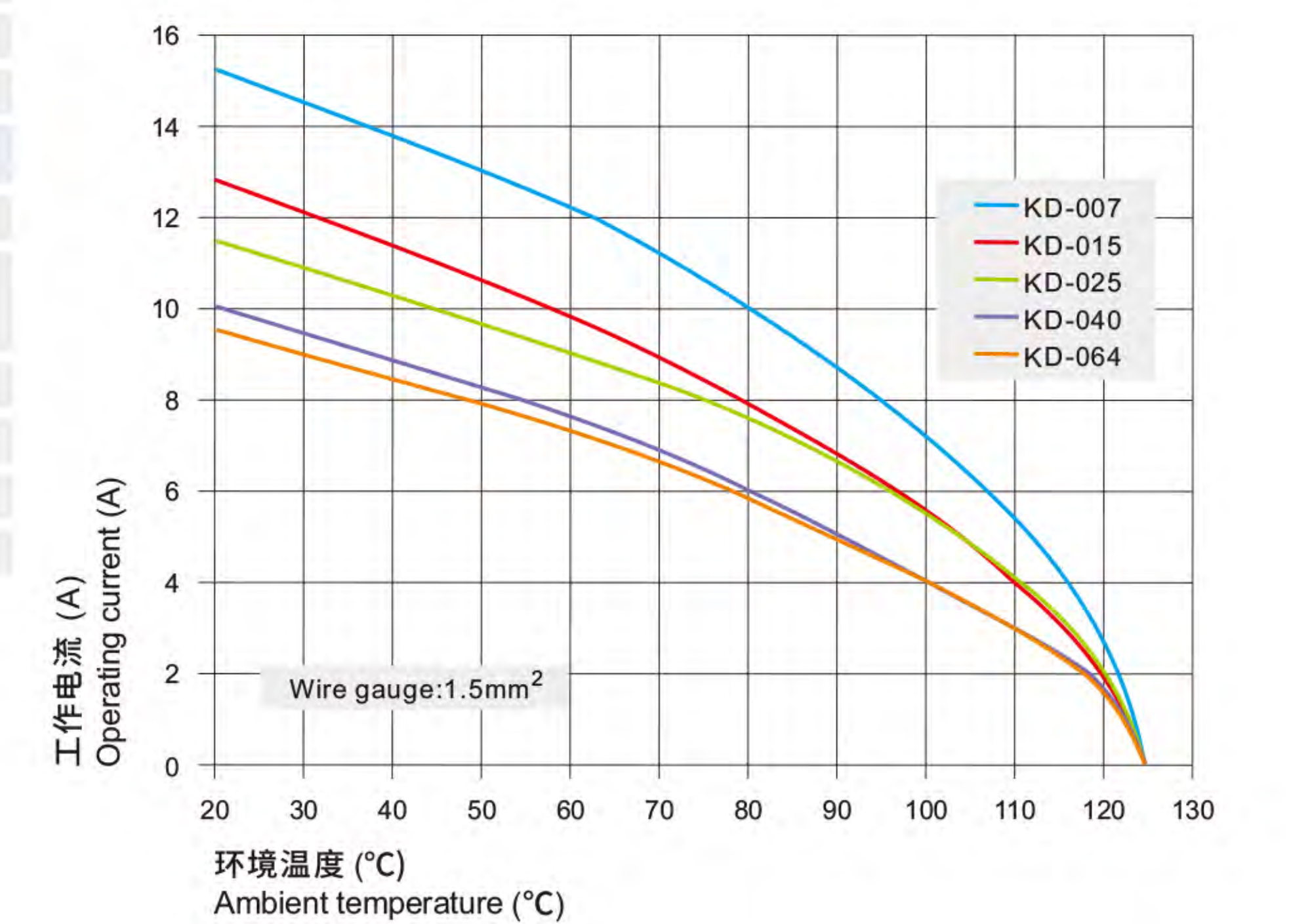
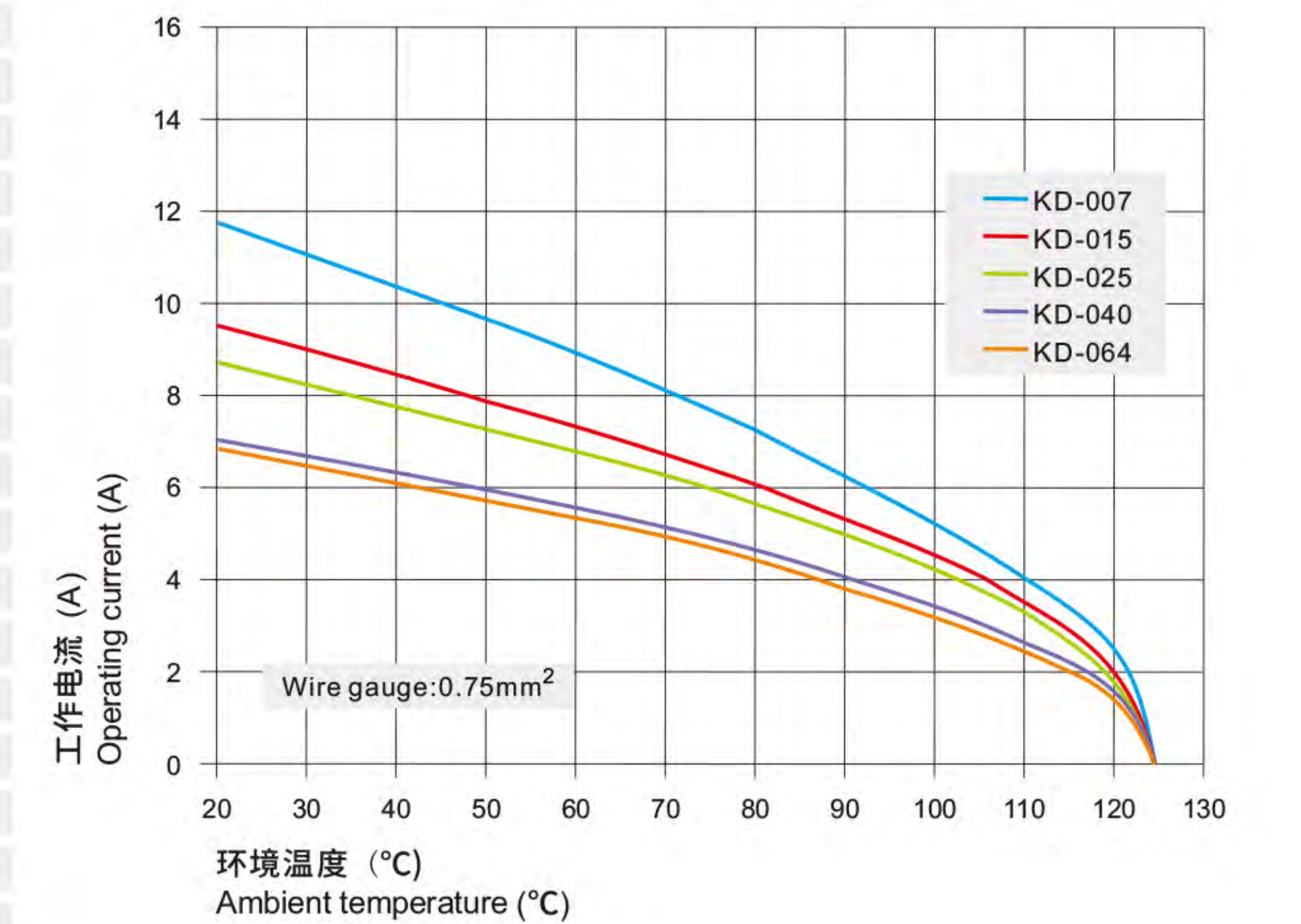
▶ 技术参数 Technical characteristics

规范 Specifications	DIN EN 60 664 DIN EN 61 984
插芯 Inserts	
依据EN 61 984的额定电压 Electrical data acc.To EN 61 984	
接插件针数 Number of contacts	7,15,25,40,50(25X2),64,80(40X2),128(64X2)+PE
• 额定电流 Rated current	10A
• 额定电压 Rated voltage	250V
• 额定脉冲电压 Rated impulse voltage	4KV
• 污染程度 Pollution degree	3
• 污染等级2时的参数 Pollution degree 2 also	10A 230/400V 4KV 2
依据UL/CSA额定电压 Rated voltage acc.to UL CSA	600V
KD-008	
• 额定电流 Rated current	10A
• 额定电压 Rated voltage	~50V/-120V
• 额定脉冲电压 Rated impulse voltage	0.8KV
• 污染程度 Pollution degree	3
• 依据UL/CSA额定电压 Rated voltage acc.to UL CSA	50V
• 额定电压(直流电压) Rated voltage (DC voltage)	120V
绝缘电阻 Insulation resistance	≥ 10 <sup>10</sup> Ω
材料 Material	聚碳酸酯 Polycarbonate
工作温度范围 Limiting temperatures	-40 °C ~ +125 °C
依据UL94阻燃等级 Flammability acc.to UL94	V0
可拔插次数 Mechanical working life-mating cycles	≥ 500
插针	
材料 Material	铜合金 Copper alloy
表面处理 Surface	镀金 Hard-gold plated 镀银 Hard-silver plated
接触电阻 Contact resistance	≤ 3m Ω
冷压连接 Crimp terminal	
• 导线规格 Wire gauge	0.14-2.5mm <sup>2</sup>
• AWG	26-14

电流负载能力 Current carrying capacity

电流负载能力所受的限制主要来自包含插针的插接体可承受的最大温度。The current carrying is limited by maximum temperature of materials for Inserts and contacts including terminals.

测试和控制过程依据DIN EN 60512-5。Measuring and testing techniques according to DIN EN 60512-5.





7+PE		8+PE		15+PE	
冷压连接 Criap terminal		冷压连接 Criap terminal		冷压连接 Criap terminal	
型号Type:	公 Male KD-007-MC	母 Female KD-007-FC	型号Type:	公 Male KD-008-MC	母 Female KD-008-FC
技术数据 Tech data:		技术数据 Tech data:		技术数据 Tech data:	
额定电流 Rated current:	10A		额定电流 Rated current:	16A	
额定电压 Rated voltage:	250V		额定电压 Rated voltage:	-50V/-120V	
导线规格 Wire gauge:	0.14-2.5mm <sup>2</sup> 26-14AWG		导线规格 Wire gauge:	0.14-2.5mm <sup>2</sup> 26-14AWG	
上壳&底座 Hoods&Housings:	匹配3A外壳, 请参考P80页 Matching 3A Hoods Housing, detail on P80		上壳&底座 Hoods&Housings:	匹配3A外壳, 请参考P80页 Matching 3A Hoods Housing, detail on P80	
上壳&底座 Hoods&Housings:	匹配10A外壳, 请参考P81页 Matching 10A Hoods Housing, detail on P81		上壳&底座 Hoods&Housings:	匹配10A外壳, 请参考P81页 Matching 10A Hoods Housing, detail on P81	

25+PE		40+PE		64+PE	
冷压连接 Criap terminal		冷压连接 Criap terminal		冷压连接 Criap terminal	
型号Type:	公 Male KD-025-MC	母 Female KD-025-FC	型号Type:	公 Male KD-040-MC	母 Female KD-040-FC
技术数据 Tech data:		技术数据 Tech data:		技术数据 Tech data:	
额定电流 Rated current:	10A		额定电流 Rated current:	10A	
额定电压 Rated voltage:	250V		额定电压 Rated voltage:	250V	
导线规格 Wire gauge:	0.14-2.5mm <sup>2</sup> 26-14AWG		导线规格 Wire gauge:	0.14-2.5mm <sup>2</sup> 26-14AWG	
上壳&底座 Hoods&Housings:	匹配16A外壳, 请参考P81页 Matching 16A Hoods Housing, detail on P81		上壳&底座 Hoods&Housings:	匹配16A外壳, 请参考P81页 Matching 16A Hoods Housing, detail on P81	
上壳&底座 Hoods&Housings:	匹配24B外壳, 请参考P88-89页 Matching 24B Hoods Housing, detail on P88-89		上壳&底座 Hoods&Housings:	匹配24B外壳, 请参考P88-89页 Matching 24B Hoods Housing, detail on P88-89	

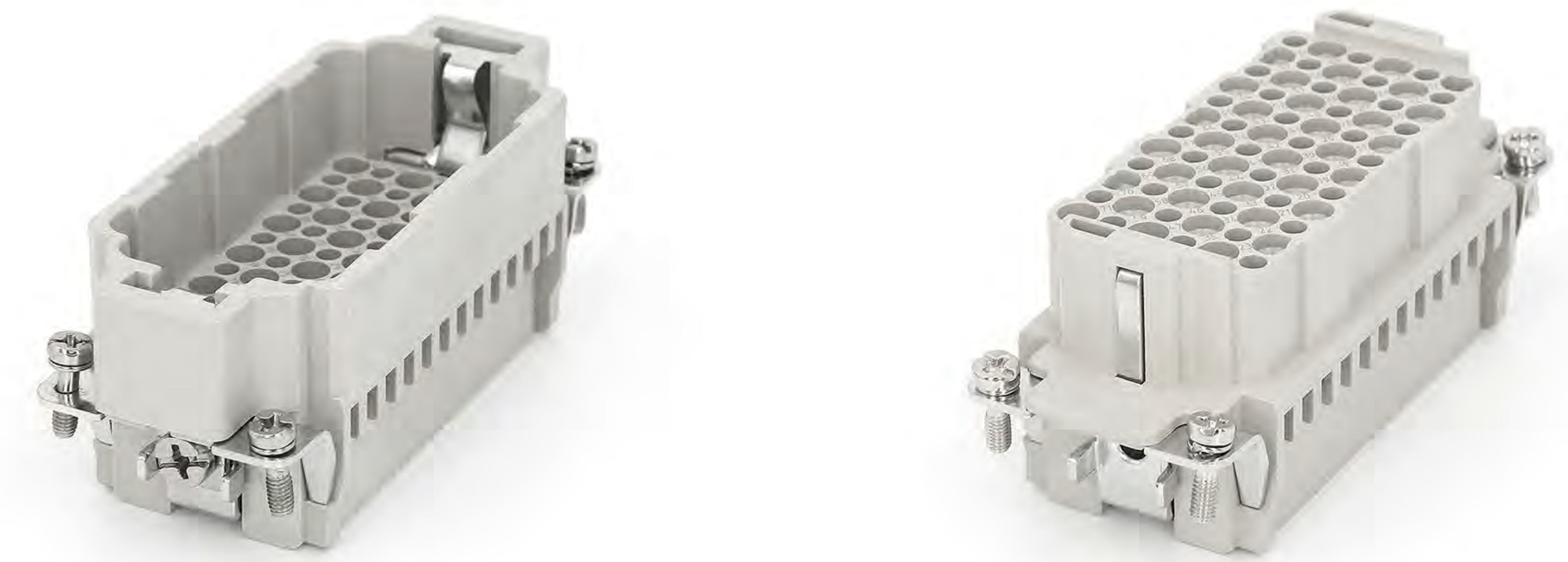
▶ 附件 Accessories

选择冷压连接时, 需要另外配针, 如下附件:

When cold pressing connection is selected, additional stitches are needed, as shown in the attachment below:

(10A) Crimp contacts	Matching: KD,KDD,KM,KK,KQ inserts	Material: Copper alloy	Contact resistance ≤3mΩ
Terminal: Crimp connection	Male Contacts		
Silver plated	KF-10A-SM-0.37		
	KF-10A-SM-0.5		
	KF-10A-SM-0.75		
	KF-10A-SM-1.0		
	KF-10A-SM-1.5		
	KF-10A-SM-2.5		
Gold plated	KF-10A-GM-0.37		
	KF-10A-GM-0.5		
	KF-10A-GM-0.75		
	KF-10A-GM-1.0		
	KF-10A-GM-1.5		
	KF-10A-GM-2.5		
	Wire gauge	φA	Recommended stripping length
	mm <sup>2</sup>		
	AWG		
	0.14-0.37	26-22	0.9
	0.5	20	1.1
	0.75	18	1.3
	1.0	18	1.45
	1.5	16	1.75
	2.5	14	2.25

▶ KDD · Series



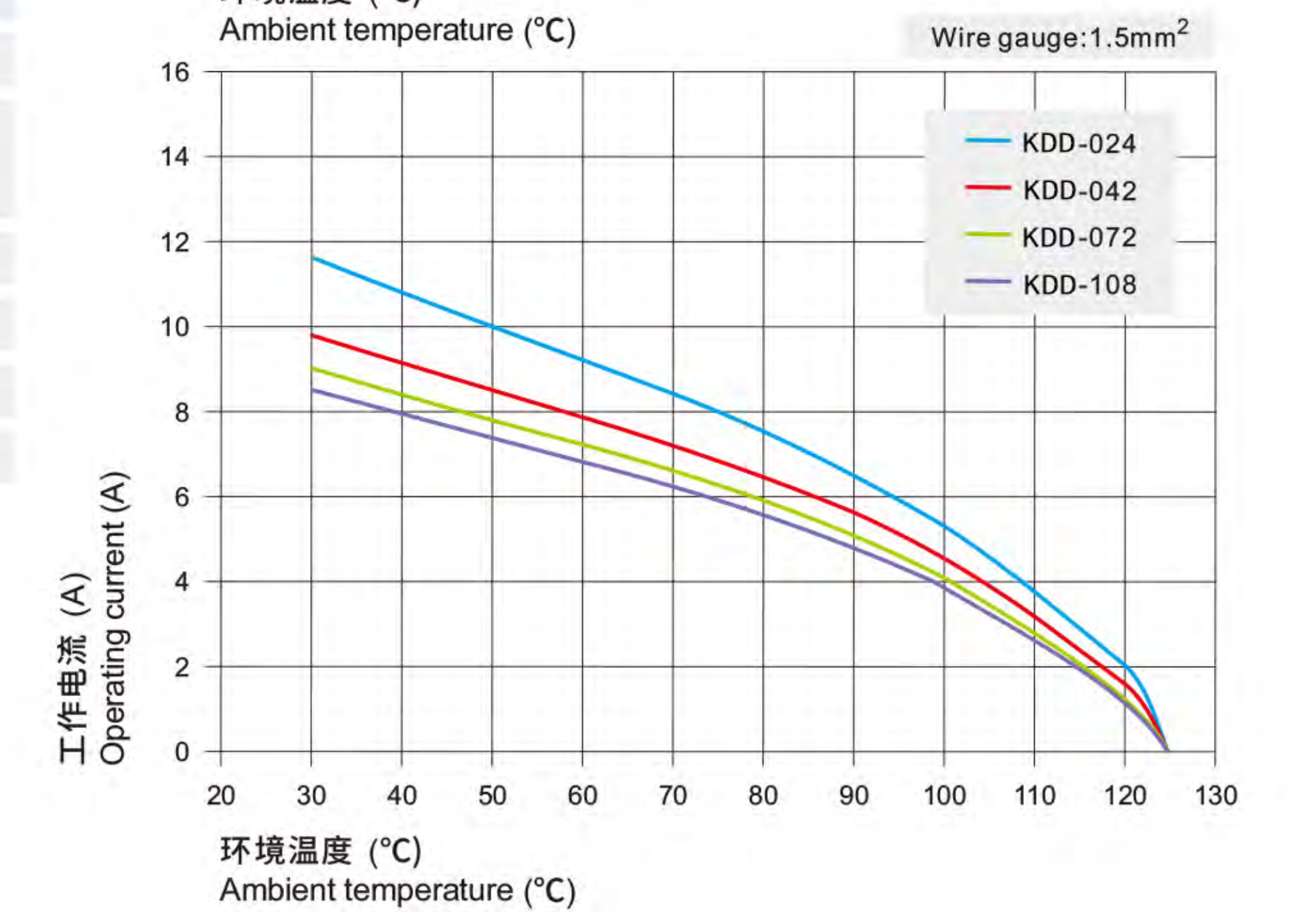
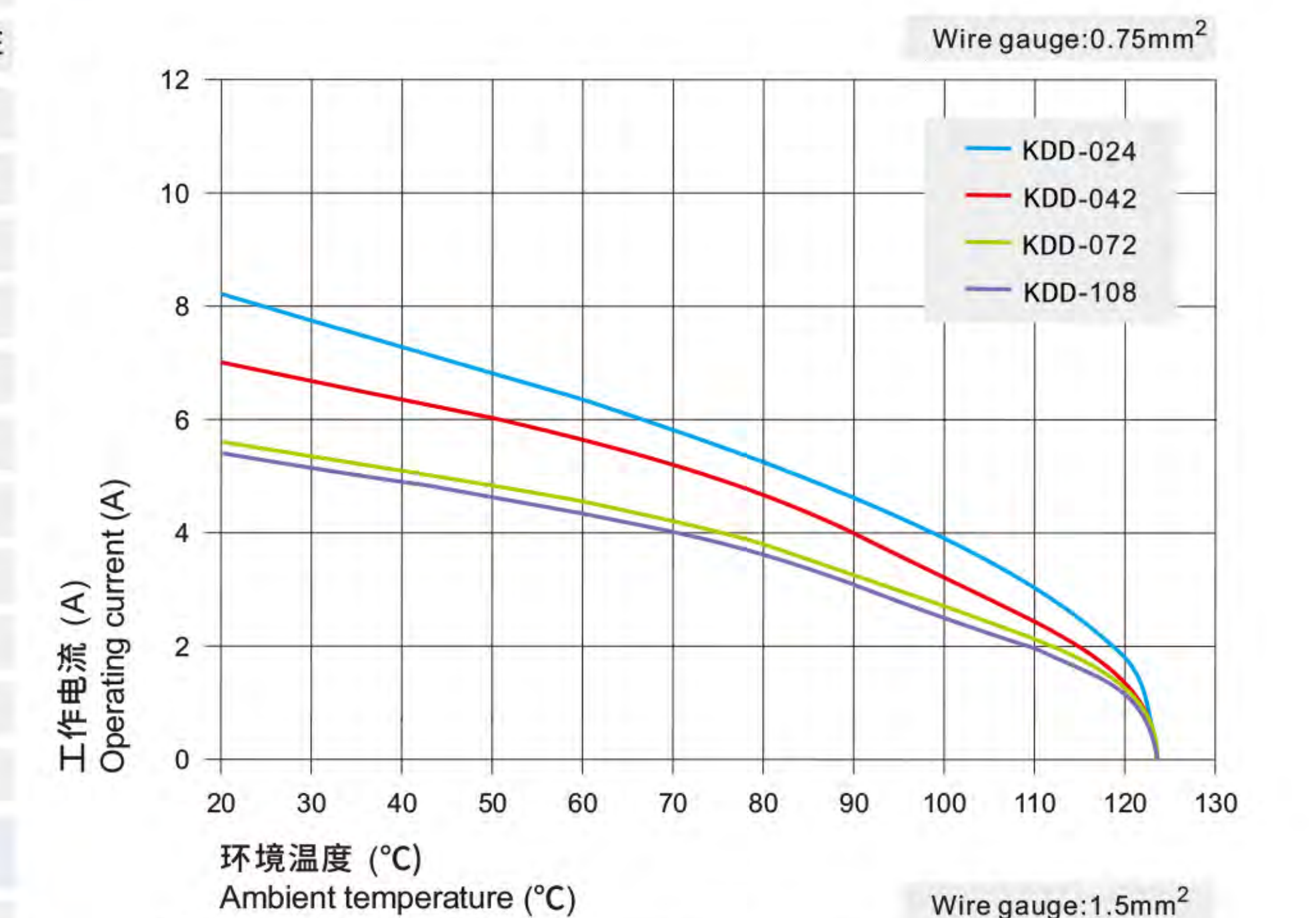
▶ 技术参数 Technical characteristics

规范 Specifications	DIN EN 60 664 DIN EN 61 984
插芯 Inserts	
依据EN 61 984的额定电压 Electrical data acc.to EN 61 984	
接插件针数 Number of contacts	24,42,72,108,144(72X2),216(108X2)+PE
• 额定电流 Rated current	10A
• 额定电压 Rated voltage	250V
• 额定脉冲电压 Rated impulse voltage	4KV
• 污染程度 Pollution degree	3
• 污染等级2时的参数 Pollution degree 2 also	10A 230/400V 4KV 2
依据UL/CSA额定电压 Rated voltage acc.to UL CSA	600V
绝缘电阻 Insulation resistance	≥ 10 <sup>10</sup> Ω
材料 Material	聚碳酸酯 Polycarbonate
工作温度范围 Limiting temperatures	-40 °C ~+125 °C
依据UL94阻燃等级 Flammability acc.to UL94	V0
可拔插次数 Mechanical working life-mating cycles	≥ 500
插针 Contacts	
材料 Material	铜合金 Copper alloy
表面处理 Surface	镀金 Gold plated 镀银 Silver plated
接触电阻 Contact resistance	≤ 3m Ω
冷压连接 Crimp terminal	
• 导线规格 Wire gauge	0.14-2.5mm <sup>2</sup>
• AWG	26-14

电流负载能力 Current carrying capacity

电流负载能力所受的限制主要来自包含接插针的接插体可承受的最大温度。The current carrying is limited by maximum temperature of materials for Inserts and contacts including terminals.

测试和控制过程依据DIN EN 60512-5。Measuring and testing techniques according to DIN EN 60512-5.





### 24+PE

冷压连接 Crimp terminal



	公 Male	母 Female
型号Type:	KDD-024-MC	KDD-024-FC

**技术数据 Tech data:**

额定电流 Rated current:	10A
额定电压 Rated voltage:	250V
导线规格 Wire gauge:	0.14-2.5mm <sup>2</sup> 26-14AWG
上壳&底座 Hoods&Housings:	匹配68外壳, 请参考P83页 Matching 68 Hoods Housing, detail on P83

### 42+PE

冷压连接 Crimp terminal



	公 Male	母 Female
型号Type:	KDD-042-MC	KDD-042-FC

**技术数据 Tech data:**

额定电流 Rated current:	10A
额定电压 Rated voltage:	250V
导线规格 Wire gauge:	0.14-2.5mm <sup>2</sup> 26-14AWG
上壳&底座 Hoods&Housings:	匹配108外壳, 请参考P84-85页 Matching 108 Hoods Housing, detail on P84-85

### 72+PE

冷压连接 Crimp terminal



	公 Male	母 Female
型号Type:	KDD-072-MC	KDD-072-FC

**技术数据 Tech data:**

额定电流 Rated current:	10A
额定电压 Rated voltage:	250V
导线规格 Wire gauge:	0.14-2.5mm <sup>2</sup> 26-14AWG
上壳&底座 Hoods&Housings:	匹配168外壳, 请参考P86-87页 Matching 168 Hoods Housing, detail on P86-87

### 108+PE

冷压连接 Crimp terminal



	公 Male	母 Female
型号Type:	KDD-108-MC	KDD-108-FC

**技术数据 Tech data:**

额定电流 Rated current:	10A
额定电压 Rated voltage:	250V
导线规格 Wire gauge:	0.14-2.5mm <sup>2</sup> 26-14AWG
上壳&底座 Hoods&Housings:	匹配248外壳, 请参考P88-89页 Matching 248 Hoods Housing, detail on P88-89

### 144+PE

冷压连接 Crimp terminal




	公 Male	母 Female
型号Type:	KDD-072-MC KDD-072-MC(73-144)	KDD-072-FC KDD-072-FC(73-144)

**技术数据 Tech data:**

额定电流 Rated current:	10A
额定电压 Rated voltage:	250V
导线规格 Wire gauge:	0.14-2.5mm <sup>2</sup> 26-14AWG
上壳&底座 Hoods&Housings:	匹配328外壳, 请参考P90页 Matching 328 Hoods Housing, detail on P90

### 216+PE

冷压连接 Crimp terminal



	公 Male	母 Female
型号Type:	KDD-108-MC KDD-108-MC(109-216)	KDD-108-FC KDD-108-FC(109-216)


**技术数据 Tech data:**

额定电流 Rated current:	10A
额定电压 Rated voltage:	250V
导线规格 Wire gauge:	0.14-2.5mm <sup>2</sup> 26-14AWG
上壳&底座 Hoods&Housings:	匹配488外壳, 请参考P90页 Matching 488 Hoods Housing, detail on P90

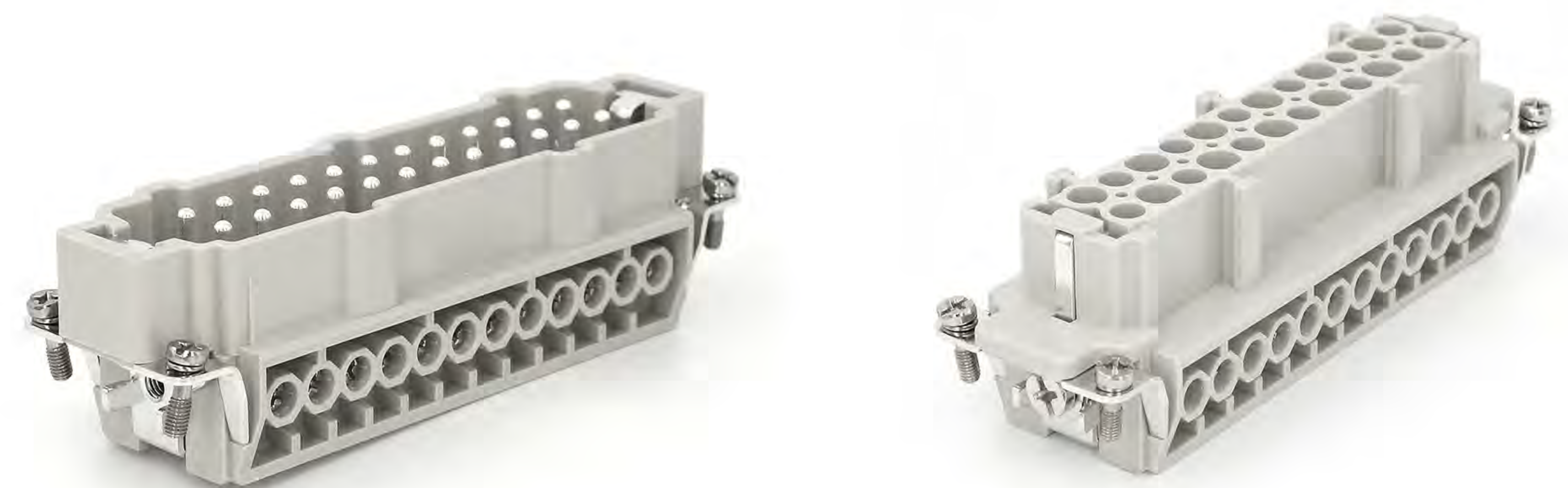
▶ 附件 Accessories

选择冷压连接时, 需要另外配针, 如下附件:

When cold pressing connection is selected, additional stitches are needed, as shown in the attachment below:

(10A) Crimp contacts	Matching: KD,KDD,KM,KK,KQ inserts	Material: Copper alloy	Contact resistance ≤3mΩ												
Terminal: Crimp connection	Male Contacts														
Silver plated	<table border="1"> <tr><td>KF-10A-SM-0.37</td><td>KF-10A-SF-0.37</td></tr> <tr><td>KF-10A-SM-0.5</td><td>KF-10A-SF-0.5</td></tr> <tr><td>KF-10A-SM-0.75</td><td>KF-10A-SF-0.75</td></tr> <tr><td>KF-10A-SM-1.0</td><td>KF-10A-SF-1.0</td></tr> <tr><td>KF-10A-SM-1.5</td><td>KF-10A-SF-1.5</td></tr> <tr><td>KF-10A-SM-2.5</td><td>KF-10A-SF-2.5</td></tr> </table>	KF-10A-SM-0.37	KF-10A-SF-0.37	KF-10A-SM-0.5	KF-10A-SF-0.5	KF-10A-SM-0.75	KF-10A-SF-0.75	KF-10A-SM-1.0	KF-10A-SF-1.0	KF-10A-SM-1.5	KF-10A-SF-1.5	KF-10A-SM-2.5	KF-10A-SF-2.5		
KF-10A-SM-0.37	KF-10A-SF-0.37														
KF-10A-SM-0.5	KF-10A-SF-0.5														
KF-10A-SM-0.75	KF-10A-SF-0.75														
KF-10A-SM-1.0	KF-10A-SF-1.0														
KF-10A-SM-1.5	KF-10A-SF-1.5														
KF-10A-SM-2.5	KF-10A-SF-2.5														
Gold plated	<table border="1"> <tr><td>KF-10A-GM-0.37</td><td>KF-10A-GF-0.37</td></tr> <tr><td>KF-10A-GM-0.5</td><td>KF-10A-GF-0.5</td></tr> <tr><td>KF-10A-GM-0.75</td><td>KF-10A-GF-0.75</td></tr> <tr><td>KF-10A-GM-1.0</td><td>KF-10A-GF-1.0</td></tr> <tr><td>KF-10A-GM-1.5</td><td>KF-10A-GF-1.5</td></tr> <tr><td>KF-10A-GM-2.5</td><td>KF-10A-GF-2.5</td></tr> </table>	KF-10A-GM-0.37	KF-10A-GF-0.37	KF-10A-GM-0.5	KF-10A-GF-0.5	KF-10A-GM-0.75	KF-10A-GF-0.75	KF-10A-GM-1.0	KF-10A-GF-1.0	KF-10A-GM-1.5	KF-10A-GF-1.5	KF-10A-GM-2.5	KF-10A-GF-2.5		
KF-10A-GM-0.37	KF-10A-GF-0.37														
KF-10A-GM-0.5	KF-10A-GF-0.5														
KF-10A-GM-0.75	KF-10A-GF-0.75														
KF-10A-GM-1.0	KF-10A-GF-1.0														
KF-10A-GM-1.5	KF-10A-GF-1.5														
KF-10A-GM-2.5	KF-10A-GF-2.5														
		Wire gauge	Recommended stripping length												
		mm <sup>2</sup>	mm												
		AWG	mm												
		φA	mm												
		26-22	8mm												
		20	8mm												
		18	8mm												
		18	8mm												
		16	8mm												
		14	6mm												

▶ KE · Series



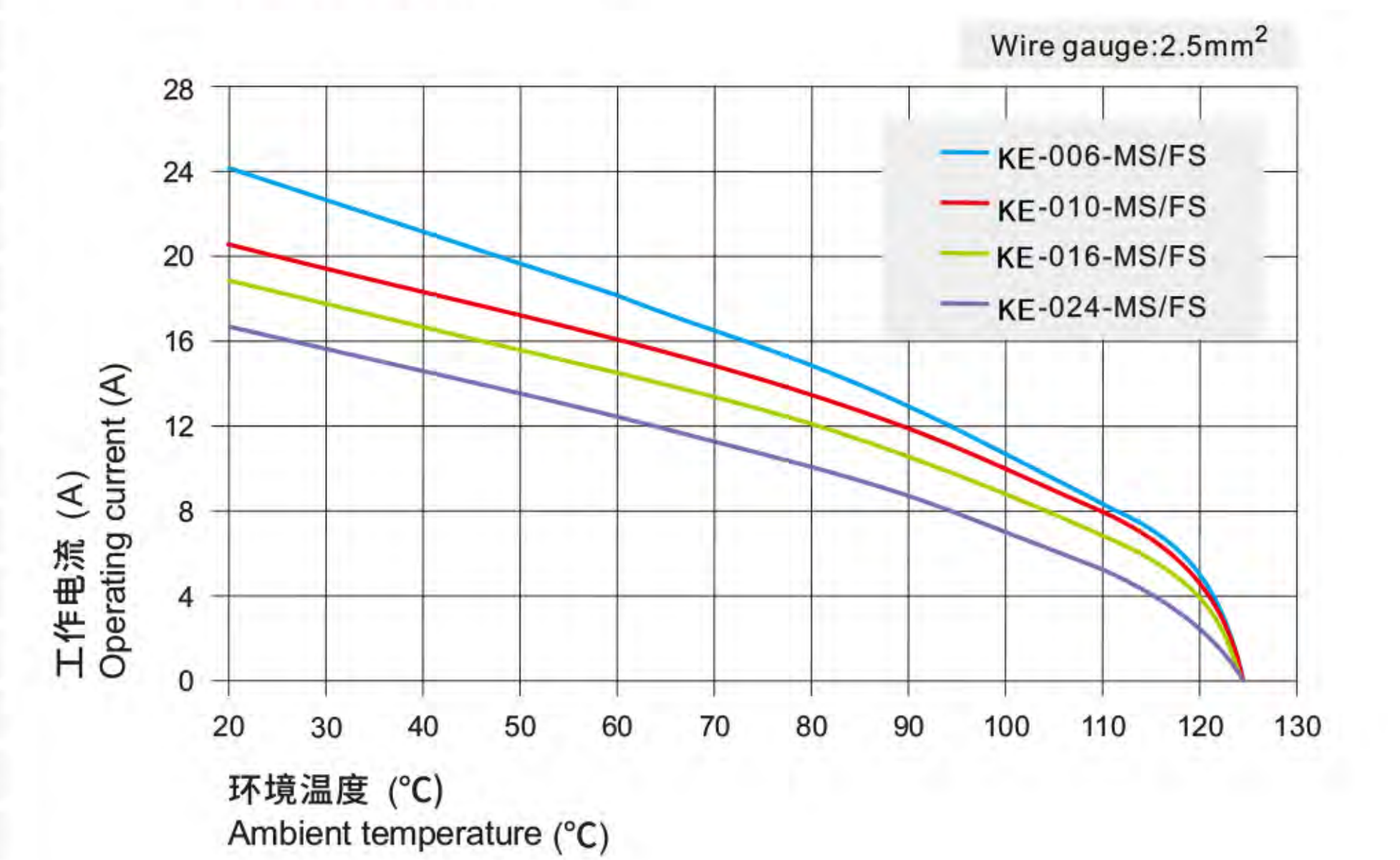
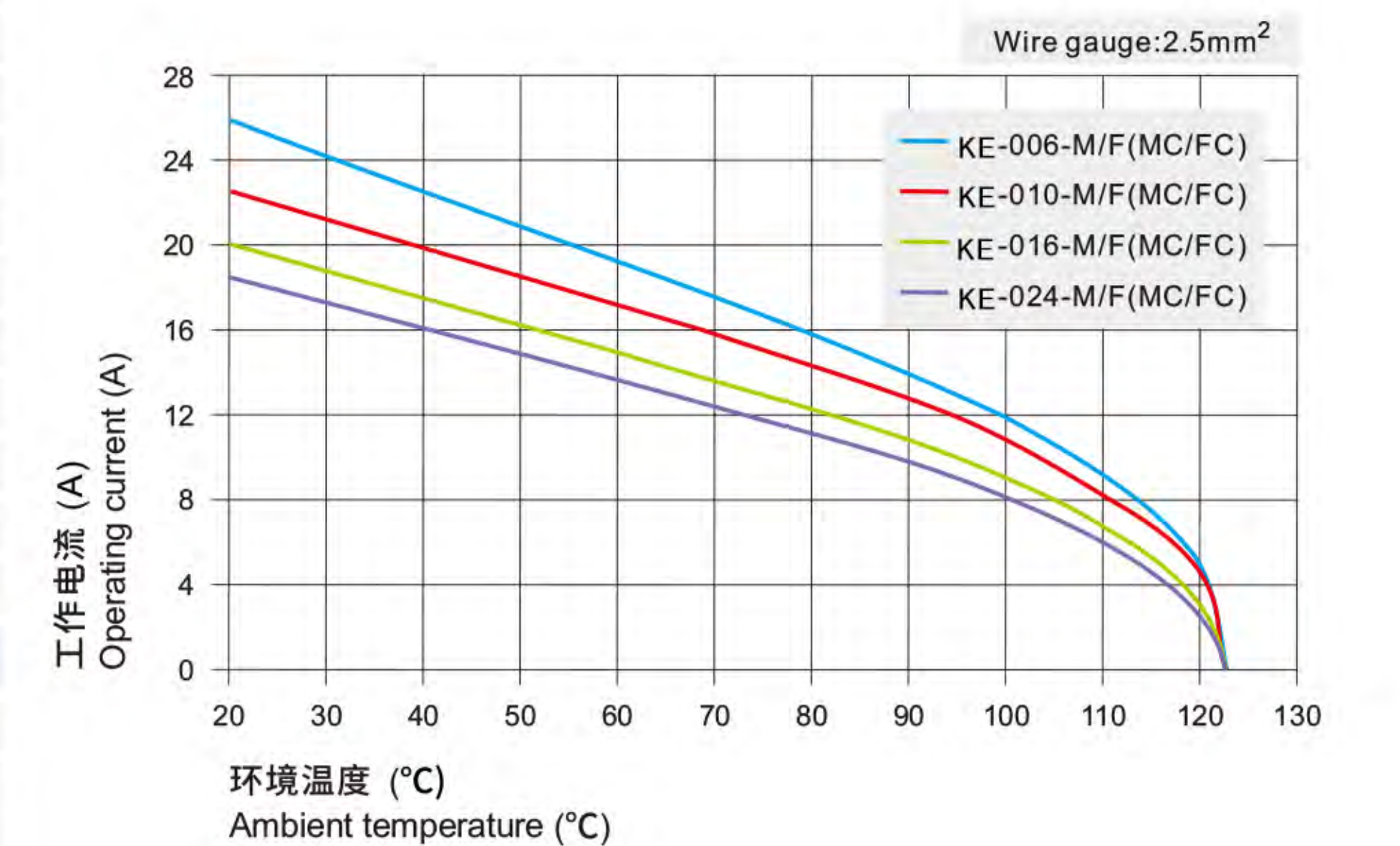
▶ 技术参数 Technical characteristics

规范 Specifications	DIN EN 60 664 DIN EN 61 984
插芯 Inserts	
依据EN 61 984的额定电压 Electrical data acc.to EN 61 984	
接插件针数 Number of contacts	6,10,16,24,32(2X16),48(2X24)+PE
• 额定电流 Rated current	16A
• 额定电压 Rated voltage	500V
• 额定脉冲电压 Rated impulse voltage	6KV
• 污染程度 Pollution degree	3
• 污染等级2时的参数 Pollution degree 2 also	16A 400/690V 6KV 2
依据UL/CSA额定电压 Rated voltage acc.to UL CSA	600V
绝缘电阻 Insulation resistance	≥ 10 <sup>10</sup> Ω
材料 Material	聚碳酸酯 Polycarbonate
工作温度范围 Limiting temperatures	-40 °C ~+125 °C
依据UL94阻燃等级 Flammability acc.to UL94	V0
可拔插次数 Mechanical working life-mating cycles	≥ 500
插针 Contacts	
材料 Material	铜合金 Copper alloy
表面处理 Surface	镀金 Gold plated 镀银 Silver plated
接触电阻 Contact resistance	≤ 1m Ω
螺钉连接 Screw terminal	
• 导线规格 Wire gauge	0.75-2.5mm <sup>2</sup>
• AWG	18-14
• 拧紧力矩 Tightening torque	0.5Nm
• 剥线长度 Stripping length	7mm
冷压连接 Crimp terminal	
• 导线规格 Wire gauge	0.14-4mm <sup>2</sup>
• AWG	26-12
• 剥线长度 Stripping length	7.5mm
弹片连接 Cage-clamp	
• 导线规格 Wire gauge	0.14-2.5mm <sup>2</sup>
• AWG	26-14
• 剥线长度 Stripping length	7-9mm

电流负载能力 Current carrying capacity

电流负载能力所受的限制主要来自包含接插针的接插体可承受的最大温度。The current carrying is limited by maximum temperature of materials for Inserts and contacts including terminals.

测试和控制过程依据DIN EN 60512-5。Measuring and testing techniques according to DIN EN 60512-5.





### 6+PE

螺丝连接 Screw terminal



	公 Male	母 Female
型号Type:	KE-006-M	KE-006-F

技术数据 Tech data:

额定电流 Rated current:	16A
额定电压 Rated voltage:	500V
导线规格 Wire gauge:	0.75-2.5mm <sup>2</sup> 18-14AWG

上壳&底座 Hoods&Housings: 匹配68外壳, 请参考P83页  
Matching 68 Hoods Housing, detail on P83

### 10+PE

螺丝连接 Screw terminal



	公 Male	母 Female
型号Type:	KE-010-M	KE-010-F

技术数据 Tech data:

额定电流 Rated current:	16A
额定电压 Rated voltage:	500V
导线规格 Wire gauge:	0.75-2.5mm <sup>2</sup> 18-14AWG

上壳&底座 Hoods&Housings: 匹配108外壳, 请参考P84-85页  
Matching 108 Hoods Housing, detail on P84-85

### 16+PE

螺丝连接 Screw terminal



	公 Male	母 Female
型号Type:	KE-016-M	KE-016-F

技术数据 Tech data:

额定电流 Rated current:	16A
额定电压 Rated voltage:	500V
导线规格 Wire gauge:	0.75-2.5mm <sup>2</sup> 18-14AWG

上壳&底座 Hoods&Housings: 匹配168外壳, 请参考P86-87页  
Matching 168 Hoods Housing, detail on P86-87

### 24+PE

螺丝连接 Screw terminal



	公 Male	母 Female
型号Type:	KE-024-M	KE-024-F

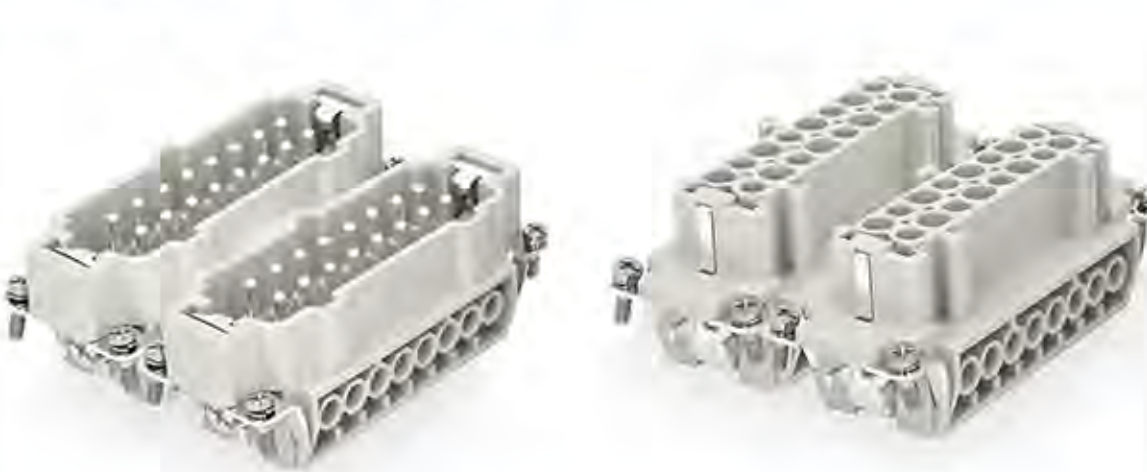
技术数据 Tech data:

额定电流 Rated current:	16A
额定电压 Rated voltage:	500V
导线规格 Wire gauge:	0.75-2.5mm <sup>2</sup> 18-14AWG

上壳&底座 Hoods&Housings: 匹配248外壳, 请参考P88-89页  
Matching 248 Hoods Housing, detail on P88-89

### 32+PE

螺丝连接 Screw terminal



	公 Male	母 Female
型号Type:	KE-016-M KE-016-M(17-32)	KE-016-F KE-016-F(17-32)


技术数据 Tech data:

额定电流 Rated current:	16A
额定电压 Rated voltage:	500V
导线规格 Wire gauge:	0.75-2.5mm <sup>2</sup> 18-14AWG

上壳&底座 Hoods&Housings: 匹配328外壳, 请参考P90页  
Matching 328 Hoods Housing, detail on P90

### 48+PE

螺丝连接 Screw terminal



	公 Male	母 Female
型号Type:	KE-024-M KE-024-M(25-48)	KE-024-F KE-024-F(25-48)

技术数据 Tech data:

额定电流 Rated current:	16A
额定电压 Rated voltage:	500V
导线规格 Wire gauge:	0.75-2.5mm <sup>2</sup> 18-14AWG

上壳&底座 Hoods&Housings: 匹配488外壳, 请参考P90页  
Matching 488 Hoods Housing, detail on P90

### 6+PE

直插连接 Push-in



	公 Male	母 Female
型号Type:	KE-006-MP	KE-006-FP

技术数据 Tech data:

额定电流 Rated current:	16A
额定电压 Rated voltage:	500V
导线规格 Wire gauge:	0.5-2.5mm <sup>2</sup> 20-14AWG

上壳&底座 Hoods&Housings: 匹配68外壳, 请参考P83页  
Matching 68 Hoods Housing, detail on P83

### 10+PE

直插连接 Push-in



	公 Male	母 Female
型号Type:	KE-010-MP	KE-010-FP


技术数据 Tech data:

额定电流 Rated current:	16A
额定电压 Rated voltage:	500V
导线规格 Wire gauge:	0.5-2.5mm <sup>2</sup> 20-14AWG

上壳&底座 Hoods&Housings: 匹配108外壳, 请参考P84-85页  
Matching 108 Hoods Housing, detail on P84-85

### 16+PE

直插连接 Push-in



	公 Male	母 Female
型号Type:	KE-016-MP	KE-016-FP

技术数据 Tech data:

额定电流 Rated current:	16A
额定电压 Rated voltage:	500V
导线规格 Wire gauge:	0.5-2.5mm <sup>2</sup> 20-14AWG

上壳&底座 Hoods&Housings: 匹配168外壳, 请参考P86-87页  
Matching 168 Hoods Housing, detail on P86-87

### 24+PE

直插连接 Push-in



	公 Male	母 Female
型号Type:	KE-024-MP	KE-024-FP


技术数据 Tech data:

额定电流 Rated current:	16A
额定电压 Rated voltage:	500V
导线规格 Wire gauge:	0.5-2.5mm <sup>2</sup> 20-14AWG

上壳&底座 Hoods&Housings: 匹配248外壳, 请参考P88-89页  
Matching 248 Hoods Housing, detail on P88-89

### 32+PE

直插连接 Push-in



	公 Male	母 Female
型号Type:	KE-016-MP KE-016-MP(17-32)	KE-016-FP KE-016-FP(17-32)


技术数据 Tech data:

额定电流 Rated current:	16A
额定电压 Rated voltage:	500V
导线规格 Wire gauge:	0.5-2.5mm <sup>2</sup> 20-14AWG

上壳&底座 Hoods&Housings: 匹配328外壳, 请参考P90页  
Matching 328 Hoods Housing, detail on P90

### 48+PE

直插连接 Push-in



	公 Male	母 Female
型号Type:	KE-024-MP KE-024-MP(25-48)	KE-024-FP KE-024-FP(25-48)

技术数据 Tech data:

额定电流 Rated current:	16A
额定电压 Rated voltage:	500V
导线规格 Wire gauge:	0.5-2.5mm <sup>2</sup> 20-14AWG

上壳&底座 Hoods&Housings: 匹配488外壳, 请参考P90页  
Matching 488 Hoods Housing, detail on P90



**6+PE**  
弹片连接 Cage clamp



	公 Male	母 Female
型号Type:	KE-006-MS	KE-006-FS

技术数据 Tech data:

额定电流 Rated current:	16A
额定电压 Rated voltage:	500V
导线规格 Wire gauge:	0.14-2.5mm <sup>2</sup> 26-14AWG

上壳&底座 Hoods&Housings: 匹配6B外壳, 请参考P83页 Matching 6B Hoods Housing, detail on P83

**10+PE**  
弹片连接 Cage clamp



	公 Male	母 Female
型号Type:	KE-010-MS	KE-010-FS

技术数据 Tech data:

额定电流 Rated current:	16A
额定电压 Rated voltage:	500V
导线规格 Wire gauge:	0.14-2.5mm <sup>2</sup> 26-14AWG

上壳&底座 Hoods&Housings: 匹配10B外壳, 请参考P84-85页 Matching 10B Hoods Housing, detail on P84-85

**16+PE**  
弹片连接 Cage clamp



	公 Male	母 Female
型号Type:	KE-016-MS	KE-016-FS

技术数据 Tech data:

额定电流 Rated current:	16A
额定电压 Rated voltage:	500V
导线规格 Wire gauge:	0.14-2.5mm <sup>2</sup> 26-14AWG

上壳&底座 Hoods&Housings: 匹配16B外壳, 请参考P86-87页 Matching 16B Hoods Housing, detail on P86-87

**6+PE**  
冷压连接 Crimp terminal



	公 Male	母 Female
型号Type:	KE-006-MC	KE-006-FC

技术数据 Tech data:

额定电流 Rated current:	16A
额定电压 Rated voltage:	500V
导线规格 Wire gauge:	0.14-4.0mm <sup>2</sup> 26-12AWG

上壳&底座 Hoods&Housings: 匹配6B外壳, 请参考P83页 Matching 6B Hoods Housing, detail on P83

**10+PE**  
冷压连接 Crimp terminal



	公 Male	母 Female
型号Type:	KE-010-MC	KE-010-FC

技术数据 Tech data:

额定电流 Rated current:	16A
额定电压 Rated voltage:	500V
导线规格 Wire gauge:	0.14-4.0mm <sup>2</sup> 26-12AWG

上壳&底座 Hoods&Housings: 匹配10B外壳, 请参考P84-85页 Matching 10B Hoods Housing, detail on P84-85

**16+PE**  
冷压连接 Crimp terminal




	公 Male	母 Female
型号Type:	KE-016-MC	KE-016-FC

技术数据 Tech data:

额定电流 Rated current:	16A
额定电压 Rated voltage:	500V
导线规格 Wire gauge:	0.14-4.0mm <sup>2</sup> 26-12AWG

上壳&底座 Hoods&Housings: 匹配16B外壳, 请参考P86-87页 Matching 16B Hoods Housing, detail on P86-87

**24+PE**  
弹片连接 Cage clamp



	公 Male	母 Female
型号Type:	KE-024-MS	KE-024-FS

技术数据 Tech data:

额定电流 Rated current:	16A
额定电压 Rated voltage:	500V
导线规格 Wire gauge:	0.14-2.5mm <sup>2</sup> 26-14AWG

上壳&底座 Hoods&Housings: 匹配24B外壳, 请参考P88-89页 Matching 24B Hoods Housing, detail on P88-89

**32+PE**  
弹片连接 Cage clamp




	公 Male	母 Female
型号Type:	KE-016-MS KE-016-MS (17-32)	KE-016-FS KE-016-FS (17-32)

技术数据 Tech data:

额定电流 Rated current:	16A
额定电压 Rated voltage:	500V
导线规格 Wire gauge:	0.14-2.5mm <sup>2</sup> 26-14AWG

上壳&底座 Hoods&Housings: 匹配32B外壳, 请参考P90页 Matching 32B Hoods Housing, detail on P90

**48+PE**  
弹片连接 Cage clamp



	公 Male	母 Female
型号Type:	KE-024-MS KE-024-MS (25-48)	KE-024-FS KE-024-FS (25-48)

技术数据 Tech data:

额定电流 Rated current:	16A
额定电压 Rated voltage:	500V
导线规格 Wire gauge:	0.14-2.5mm <sup>2</sup> 26-14AWG

上壳&底座 Hoods&Housings: 匹配48B外壳, 请参考P90页 Matching 48B Hoods Housing, detail on P90

**24+PE**  
冷压连接 Crimp terminal




	公 Male	母 Female
型号Type:	KE-024-MC	KE-024-FC

技术数据 Tech data:

额定电流 Rated current:	16A
额定电压 Rated voltage:	500V
导线规格 Wire gauge:	0.14-4.0mm <sup>2</sup> 26-12AWG

上壳&底座 Hoods&Housings: 匹配24B外壳, 请参考P88-89页 Matching 24B Hoods Housing, detail on P88-89

**32+PE**  
冷压连接 Crimp terminal



	公 Male	母 Female
型号Type:	KE-016-MC KE-016-MC (17-32)	KE-016-FC KE-016-FC (17-32)

技术数据 Tech data:

额定电流 Rated current:	16A
额定电压 Rated voltage:	500V
导线规格 Wire gauge:	0.14-4.0mm <sup>2</sup> 26-12AWG

上壳&底座 Hoods&Housings: 匹配32B外壳, 请参考P90页 Matching 32B Hoods Housing, detail on P90

**48+PE**  
冷压连接 Crimp terminal



	公 Male	母 Female
型号Type:	KE-024-MC KE-024-MC (25-48)	KE-024-FC KE-024-FC (25-48)

技术数据 Tech data:

额定电流 Rated current:	16A
额定电压 Rated voltage:	500V
导线规格 Wire gauge:	0.14-4.0mm <sup>2</sup> 26-12AWG

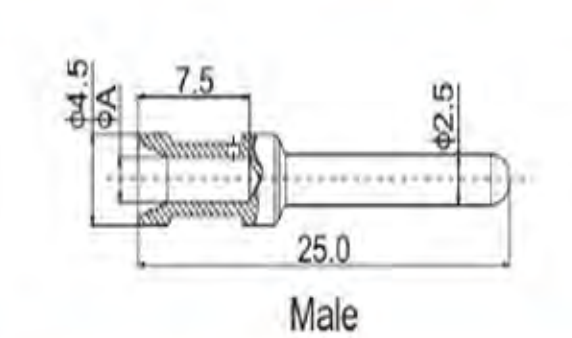
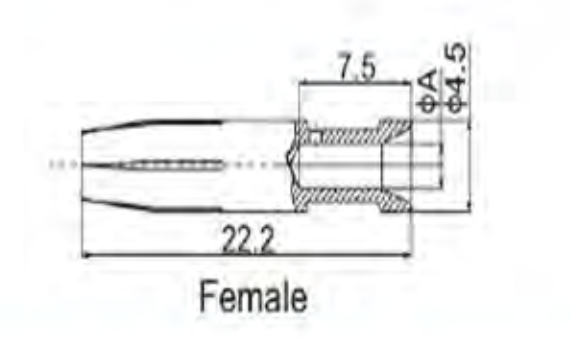
上壳&底座 Hoods&Housings: 匹配48B外壳, 请参考P90页 Matching 48B Hoods Housing, detail on P90

► 附件 Accessories

选择冷压连接时, 需要另外配针, 如下附件:

When cold pressing connection is selected, additional stitches are needed, as shown in the attachment below:

(16A) Crimp contacts	Matching: KA,KE,KEE,KM,KK inserts	
Terminal: Crimp connection	Male Contacts	Female Contacts
Silver plated	KF-16A-SM-0.37	KF-16A-SF-0.37
	KF-16A-SM-0.5	KF-16A-SF-0.5
	KF-16A-SM-0.75	KF-16A-SF-0.75
	KF-16A-SM-1.0	KF-16A-SF-1.0
	KF-16A-SM-1.5	KF-16A-SF-1.5
	KF-16A-SM-2.5	KF-16A-SF-2.5
	KF-16A-SM-4.0	KF-16A-SF-4.0
	Gold plated	KF-16A-GM-0.37
KF-16A-GM-0.5		KF-16A-GF-0.5
KF-16A-GM-0.75		KF-16A-GF-0.75
KF-16A-GM-1.0		KF-16A-GF-1.0
KF-16A-GM-1.5		KF-16A-GF-1.5
KF-16A-GM-2.5		KF-16A-GF-2.5
KF-16A-GM-4.0		KF-16A-GF-4.0

Material: Copper alloy		Contact resistance ≤1mΩ	
			
Wire gauge	AWG	φA	Recommended stripping length
0.14-0.37	26-22	0.9	7.5mm
0.5	20	1.1	7.5mm
0.75	18	1.3	7.5mm
1.0	18	1.45	7.5mm
1.5	16	1.75	7.5mm
2.5	14	2.25	7.5mm
4.0	12	2.85	7.5mm



► KEE · Series



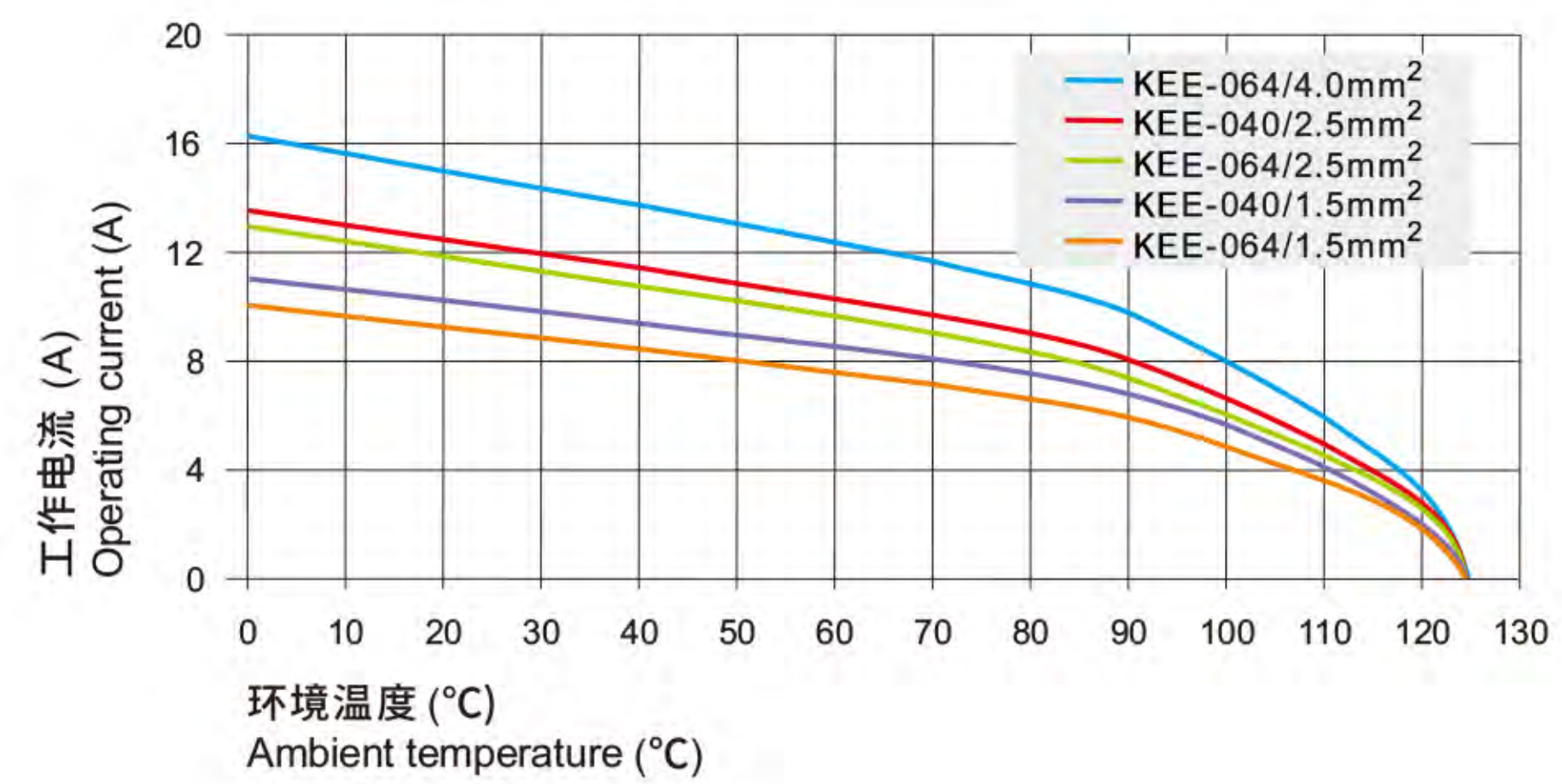
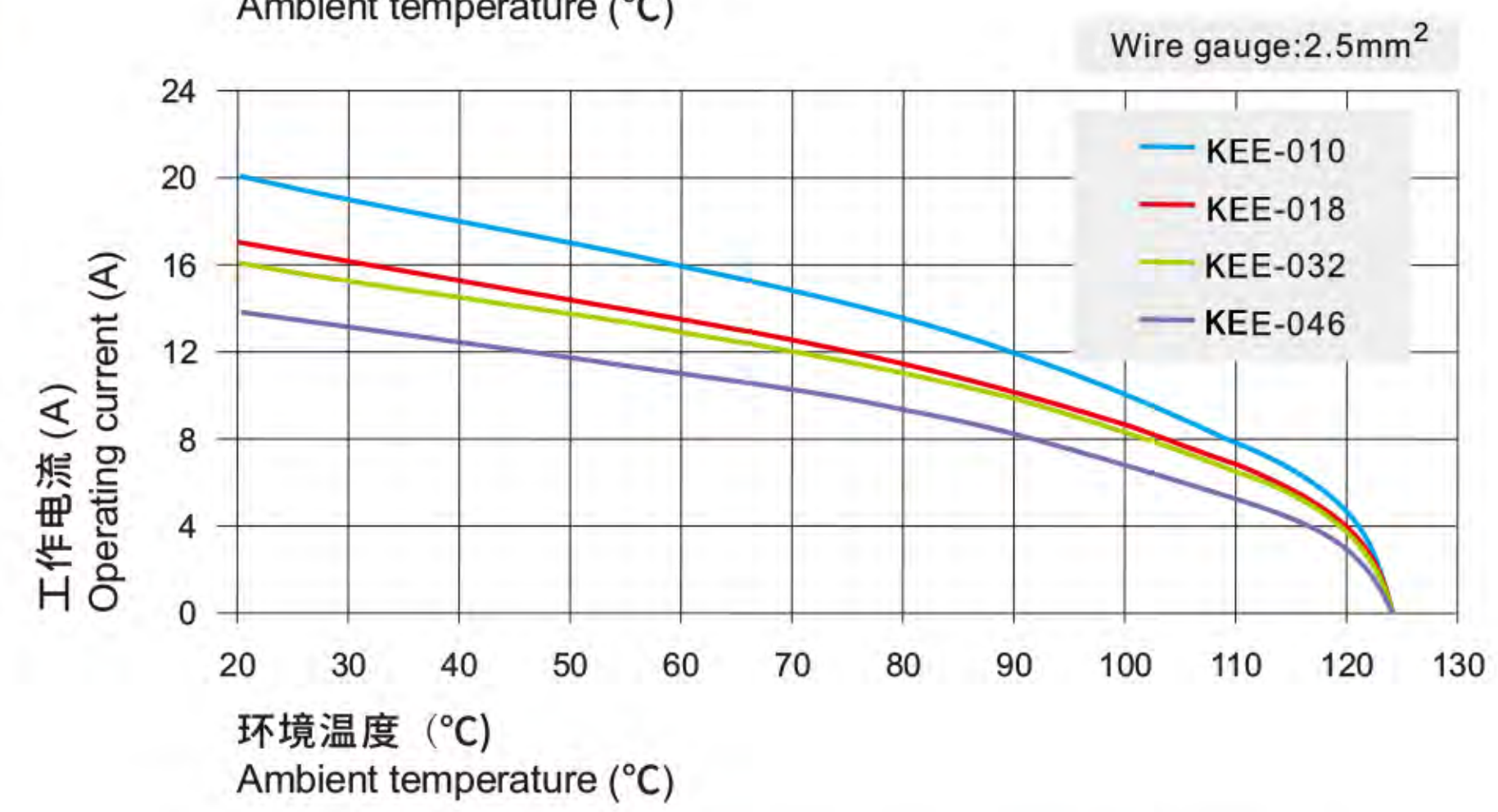
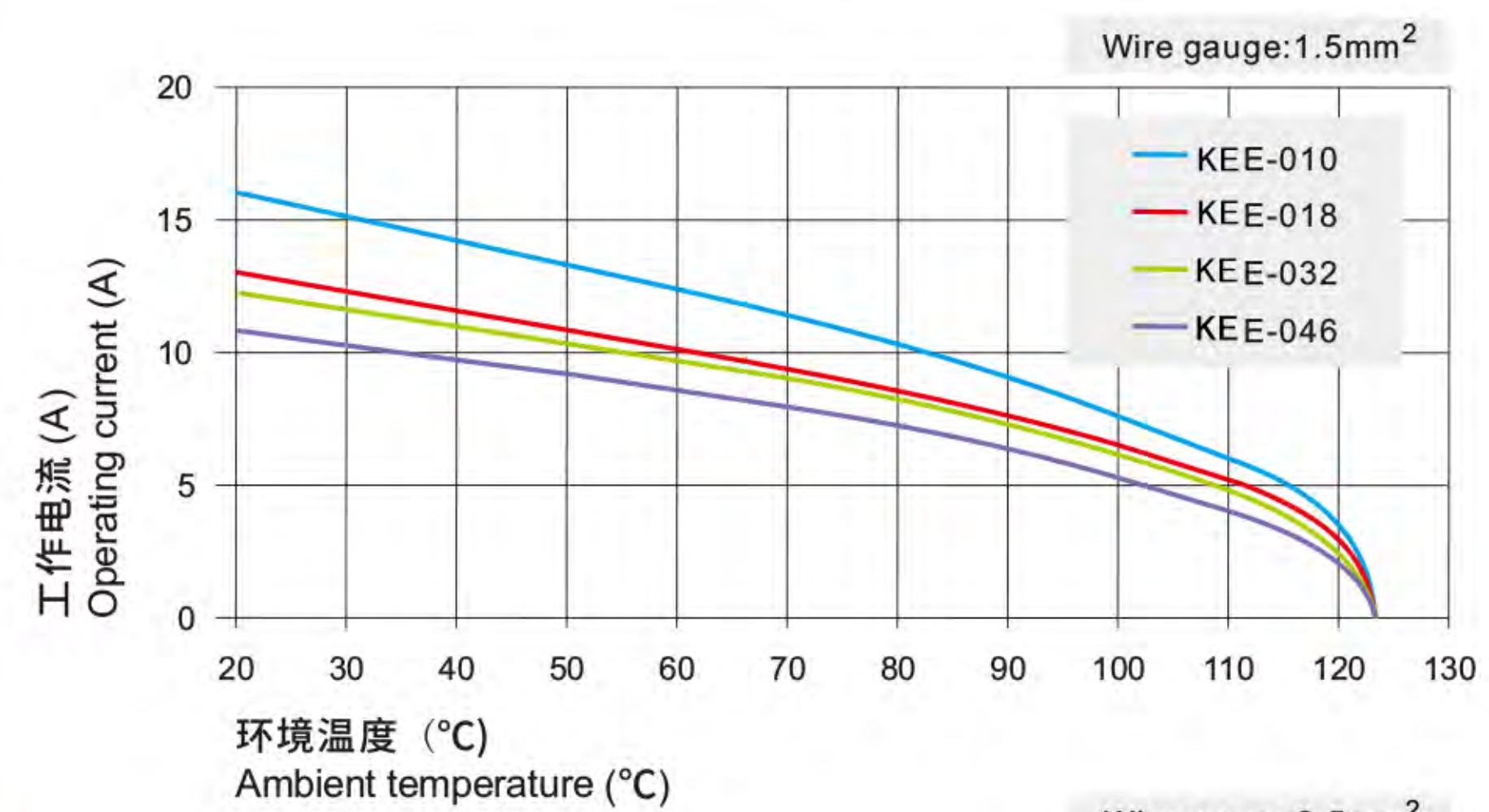
► 技术参数 Technical characteristics

规范 Specifications	DIN EN 60 664 DIN EN 61 984
插芯 Inserts	
依据EN 61 984的额定电压 Electrical data acc.to EN 61 984	
接插件针数 Number of contacts	10,18,32,46,64(2X32),92(2X46)+PE
• 额定电流 Rated current	16A
• 额定电压 Rated voltage	500V
• 额定脉冲电压 Rated impulse voltage	6KV
• 污染程度 Pollution degree	3
• 污染等级2时的参数 Pollution degree 2 also	16A 830V 8KV 2
依据UL/CSA额定电压 Rated voltage acc.to UL CSA	600V
绝缘电阻 Insulation resistance	≥ 10 <sup>10</sup> Ω
材料 Material	聚碳酸酯 Polycarbonate
工作温度范围 Limiting temperatures	-40 °C ~ +125 °C
依据UL94阻燃等级 Flammability acc.to UL94	V0
可拔插次数 Mechanical working life-mating cycles	≥ 500
插针 Contacts	
材料 Material	铜合金 Copper alloy
表面处理 Surface	镀金 Gold plated 镀银 Silver plated
接触电阻 Contact resistance	≤ 1m Ω
冷压连接 Crimp terminal	
• 导线规格 Wire gauge	0.14-4mm <sup>2</sup>
• AWG	26-12
• 剥线长度 Stripping length	7.5mm

电流负载能力 Current carrying capacity

电流负载能力所受的限制主要来自包含插针的接插体可承受的最大温度。The current carrying is limited by maximum temperature of materials for Inserts and contacts including terminals.

测试和控制过程依据DIN EN 60512-5。Measuring and testing techniques according to DIN EN 60512-5.



10+PE

冷压连接 Crimp terminal



	公 Male	母 Female
型号Type:	KEE-010-MC	KEE-010-FC
技术数据 Tech data:		
额定电流 Rated current:	16A	
额定电压 Rated voltage:	500V	
导线规格 Wire gauge:	0.14-4.0mm <sup>2</sup> 26-12AWG	
上壳&底座 Hoods&Housings:	匹配08外壳, 请参考P83页 Matching 08 Hoods Housing, detail on P83	

18+PE

冷压连接 Crimp terminal



	公 Male	母 Female
型号Type:	KEE-018-MC	KEE-018-FC
技术数据 Tech data:		
额定电流 Rated current:	16A	
额定电压 Rated voltage:	500V	
导线规格 Wire gauge:	0.14-4.0mm <sup>2</sup> 26-12AWG	
上壳&底座 Hoods&Housings:	匹配108外壳, 请参考P84-85页 Matching 108 Hoods Housing, detail on P84-85	

32+PE

冷压连接 Crimp terminal



	公 Male	母 Female
型号Type:	KEE-032-MC	KEE-032-FC
技术数据 Tech data:		
额定电流 Rated current:	16A	
额定电压 Rated voltage:	500V	
导线规格 Wire gauge:	0.14-4.0mm <sup>2</sup> 26-12AWG	
上壳&底座 Hoods&Housings:	匹配168外壳, 请参考P86-87页 Matching 168 Hoods Housing, detail on P86-87	

46+PE

冷压连接 Crimp terminal



	公 Male	母 Female
型号Type:	KEE-046-MC	KEE-046-FC
技术数据 Tech data:		
额定电流 Rated current:	16A	
额定电压 Rated voltage:	500V	
导线规格 Wire gauge:	0.14-4.0mm <sup>2</sup> 26-12AWG	
上壳&底座 Hoods&Housings:	匹配248外壳, 请参考P88-89页 Matching 248 Hoods Housing, detail on P88-89	

64+PE

冷压连接 Crimp terminal



	公 Male	母 Female
型号Type:	KEE-032-MC KEE-032-MC(33-64)	KEE-032-FC KEE-032-FC(33-64)
技术数据 Tech data:		
额定电流 Rated current:	16A	
额定电压 Rated voltage:	500V	
导线规格 Wire gauge:	0.14-4.0mm <sup>2</sup> 26-12AWG	
上壳&底座 Hoods&Housings:	匹配328外壳, 请参考P90页 Matching 328 Hoods Housing, detail on P90	

92+PE

冷压连接 Crimp terminal



	公 Male	母 Female
型号Type:	KEE-046-MC KEE-046-MC(47-92)	KEE-046-FC KEE-046-FC(47-92)
技术数据 Tech data:		
额定电流 Rated current:	16A	
额定电压 Rated voltage:	500V	
导线规格 Wire gauge:	0.14-4.0mm <sup>2</sup> 26-12AWG	
上壳&底座 Hoods&Housings:	匹配488外壳, 请参考P90页 Matching 488 Hoods Housing, detail on P90	

► 附件 Accessories

选择冷压连接时, 需要另外配针, 如下附件:

When cold pressing connection is selected, additional stitches are needed, as shown in the attachment below:

(16A) Crimp contacts	Matching: KA,KE,KEE,KM,KK inserts	
Terminal: Crimp connection	Male Contacts	Female Contacts
Silver plated	KF-16A-SM-0.37	KF-16A-SF-0.37
	KF-16A-SM-0.5	KF-16A-SF-0.5
	KF-16A-SM-0.75	KF-16A-SF-0.75
	KF-16A-SM-1.0	KF-16A-SF-1.0
	KF-16A-SM-1.5	KF-16A-SF-1.5
	KF-16A-SM-2.5	KF-16A-SF-2.5
Gold plated	KF-16A-GM-0.37	KF-16A-GF-0.37
	KF-16A-GM-0.5	KF-16A-GF-0.5
	KF-16A-GM-0.75	KF-16A-GF-0.75
	KF-16A-GM-1.0	KF-16A-GF-1.0
	KF-16A-GM-1.5	KF-16A-GF-1.5
	KF-16A-GM-2.5	KF-16A-GF-2.5
	KF-16A-GM-4.0	KF-16A-GF-4.0

Material: Copper alloy		Contact resistance ≤1mΩ	
mm <sup>2</sup>	AWG	φA	Recommended stripping length
0.14-0.37	26-22	0.9	7.5mm
0.5	20	1.1	7.5mm
0.75	18	1.3	7.5mm
1.0	18	1.45	7.5mm
1.5	16	1.75	7.5mm
2.5	14	2.25	7.5mm
4.0	12	2.85	7.5mm



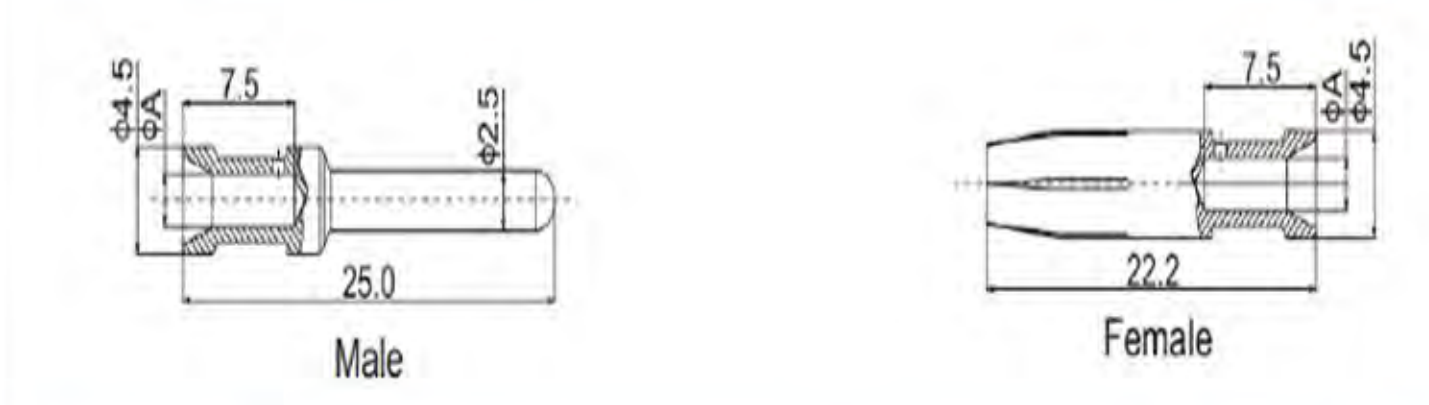


40+PE		
冷压连接 Crimp terminal		
		
	公 Male	母 Female
型号Type:	KEEE-040-MC	KEEE-040-FC
技术数据 Tech data:		
额定电流 Rated current:	16A	
额定电压 Rated voltage:	500V	
导线规格 Wire gauge:	0.14-4.0mm <sup>2</sup> 26-12AWG	
上壳&底座 Hoods&Housings:	匹配168外壳, 请参考P86-87页 Matching 168 Hoods Housing, detail on P86-87	

64+PE		
冷压连接 Crimp terminal		
		
	公 Male	母 Female
型号Type:	KEEE-064-MC	KEEE-064-FC
技术数据 Tech data:		
额定电流 Rated current:	16A	
额定电压 Rated voltage:	500V	
导线规格 Wire gauge:	0.14-4.0mm <sup>2</sup> 26-12AWG	
上壳&底座 Hoods&Housings:	匹配248外壳, 请参考P88-89页 Matching 248 Hoods Housing, detail on P88-89	

▶ 附件 Accessories

选择冷压连接时, 需要另外配针, 如下附件:

When cold pressing connection is selected, additional stitches are needed, as shown in the attachment below:

(16A) Crimp contacts	Matching: KA,KE,KEE,KM,KK inserts		Material: Copper alloy Contact resistance ≤1mΩ			
Terminal: Crimp connection	Male Contacts	Female Contacts				
Silver plated	KF-16A-SM-0.37	KF-16A-SF-0.37				
	KF-16A-SM-0.5	KF-16A-SF-0.5				
	KF-16A-SM-0.75	KF-16A-SF-0.75				
	KF-16A-SM-1.0	KF-16A-SF-1.0				
	KF-16A-SM-1.5	KF-16A-SF-1.5				
	KF-16A-SM-2.5	KF-16A-SF-2.5				
	KF-16A-SM-4.0	KF-16A-SF-4.0				
	Gold plated	KF-16A-GM-0.37	KF-16A-GF-0.37			
	KF-16A-GM-0.5	KF-16A-GF-0.5				
	KF-16A-GM-0.75	KF-16A-GF-0.75				
	KF-16A-GM-1.0	KF-16A-GF-1.0				
	KF-16A-GM-1.5	KF-16A-GF-1.5				
	KF-16A-GM-2.5	KF-16A-GF-2.5				
	KF-16A-GM-4.0	KF-16A-GF-4.0				

Wire gauge		φA	Recommended stripping length
mm <sup>2</sup>	AWG		
0.14-0.37	26-22	0.9	7.5mm
0.5	20	1.1	7.5mm
0.75	18	1.3	7.5mm
1.0	18	1.45	7.5mm
1.5	16	1.75	7.5mm
2.5	14	2.25	7.5mm
4.0	12	2.85	7.5mm

▶ KQ-002 · Series



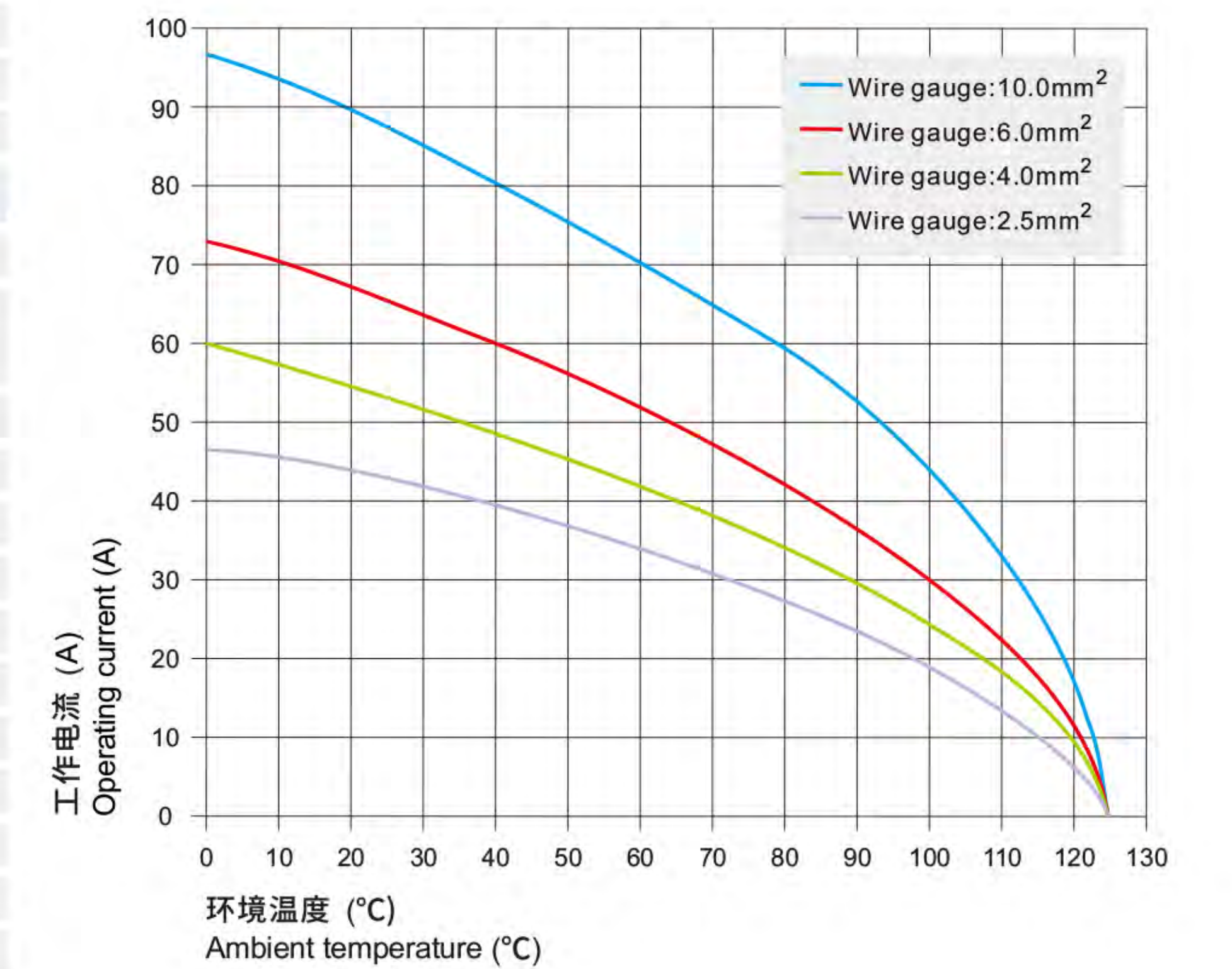
▶ 技术参数 Technical characteristics

规范 Specifications	DIN EN 60 664 DIN EN 61 984
插芯 Inserts	
依据EN 61 984的额定电压 Electrical data acc.to EN 61 984	
接插件针数 Number of contacts	2+PE
• 额定电流 Rated current	40A
• 额定电压 Rated voltage	400V
• 额定脉冲电压 Rated impulse voltage	6KV
• 污染程度 Pollution degree	3
依据UL/CSA额定电压 Rated voltage acc.to UL CSA	600V
绝缘电阻 Insulation resistance	≥ 10 <sup>10</sup> Ω
材料 Material	聚碳酸酯 Polycarbonate
工作温度范围 Limiting temperatures	-40 °C ~+125 °C
依据UL94阻燃等级 Flammability acc.to UL94	V0
可拔插次数 Mechanical working life-mating cycles	≥ 500
插针 Contacts	
材料 Material	铜合金 Copper alloy
表面处理 Surface	镀金 Hard-gold plated 镀银 Hard-silver plated
接触电阻 Contact resistance	≤ 1m Ω
轴向螺栓连接 Axial screw terminal	
• mm <sup>2</sup>	2.5-10mm <sup>2</sup>
• AWG	14-8
• 内六角扳手 Hexagonal Driver	SW2
• 剥线长度 Stripping length	
• mm <sup>2</sup>	2.5 4 6 10
• mm <sup>2</sup>	5*1 5*1 8*1 11*1
• 拧紧力矩 Tightening torque	
• mm <sup>2</sup>	2.5 4 6 10
• Nm	1.5 1.5 2 2

电流负载能力 Current carrying capacity

电流负载能力所受的限制主要来自包含接插针的接插体可承受的最大温度。The current carrying is limited by maximum temperature of materials for Inserts and contacts including terminals.

测试和控制过程依据DIN EN 60512-5。Measuring and testing techniques according to DIN EN 60512-5.





► KQ-005 · Series



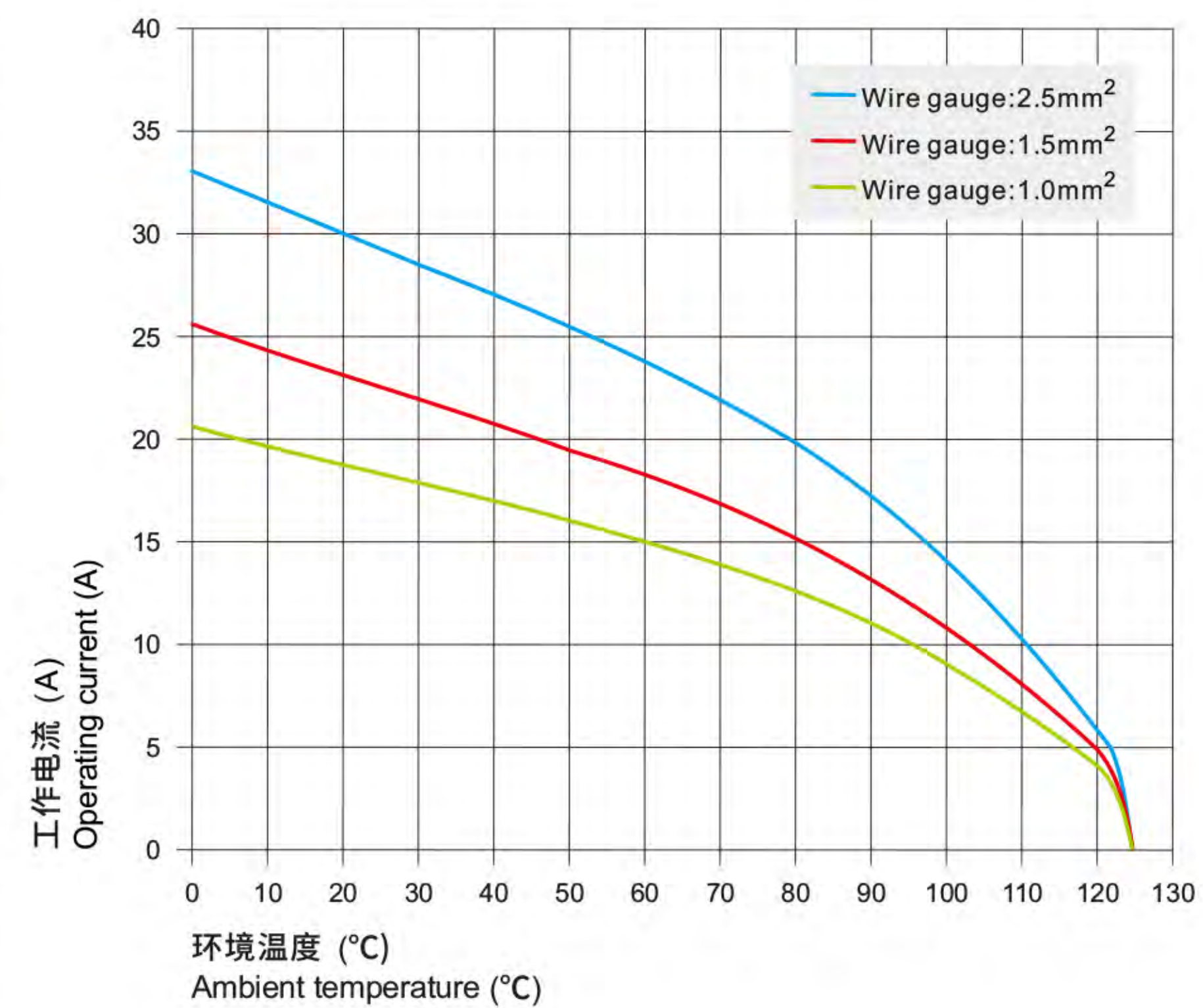
► 技术参数 Technical characteristics

规范 Specifications	DIN EN 60 664 DIN EN 61 984
插芯 Inserts	
依据EN 61 984的额定电压 Electrical data acc.to EN 61 984	
接插件针数 Number of contacts	5+PE
• 额定电流 Rated current	16A
• 相对地额定电压 Rated voltage conductor-ground	230V
• 相间额定电压 Rated voltage conductor-conductor	400V
• 额定脉冲电压 Rated impulse voltage	4KV
• 污染程度 Pollution degree	3
• 污染等级2时的参数 Pollution degree 2 also	16A 320/500V 4KV 2
依据UL/CSA额定电压 Rated voltage acc.to UL CSA	600V
绝缘电阻 Insulation resistance	$\geq 10^{10} \Omega$
材料 Material	聚碳酸酯 Polycarbonate
工作温度范围 Limiting temperatures	-40 °C ~+125 °C
依据UL94阻燃等级 Flammability acc.to UL94	V0
可拔插次数 Mechanical working life-mating cycles	$\geq 500$
插针 Contacts	
材料 Material	铜合金 Copper alloy
表面处理 Surface	镀金 Gold plated 镀银 Silver plated
接触电阻 Contact resistance	$\leq 1m \Omega$
冷压连接 Crimp terminal	
• 导线规格 Wire gauge	0.14-2.5mm <sup>2</sup>
• AWG	26-14
PE螺钉连接 PE screw terminal	
• 导线规格 Wire gauge	0.5-2.5mm <sup>2</sup>
• AWG	20-14

电流负载能力 Current carrying capacity

电流负载能力所受的限制主要来自包含接插针的接插体可承受的最大温度。The current carrying is limited by maximum temperature of materials for Inserts and contacts including terminals.

测试和控制过程依据DIN EN 60512-5。Measuring and testing techniques according to DIN EN 60512-5.



► KQ-007 · Series



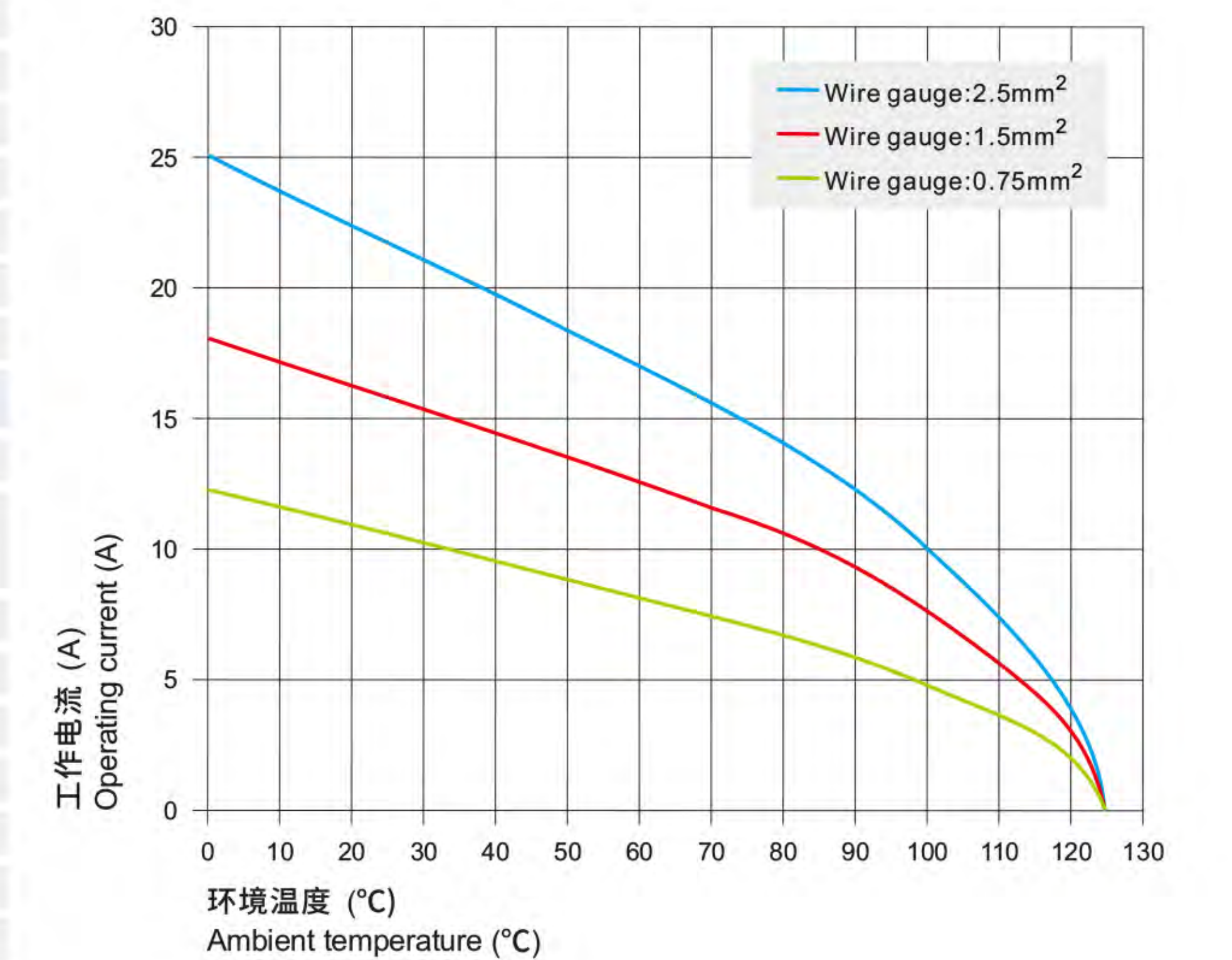
► 技术参数 Technical characteristics

规范 Specifications	DIN EN 60 664 DIN EN 61 984
插芯 Inserts	
依据EN 61 984的额定电压 Electrical data acc.to EN 61 984	
接插件针数 Number of contacts	7+PE
• 额定电流 Rated current	10A
• 额定电压 Rated voltage	400V
• 额定脉冲电压 Rated impulse voltage	6KV
• 污染程度 Pollution degree	3
• 污染等级2时的参数 Pollution degree 2 also	10A 400/690V 6KV 2
依据UL/CSA额定电压 Rated voltage acc.to UL CSA	600V
绝缘电阻 Insulation resistance	$\geq 10^{10} \Omega$
材料 Material	聚碳酸酯 Polycarbonate
工作温度范围 Limiting temperatures	-40 °C ~+125 °C
依据UL94阻燃等级 Flammability acc.to UL94	V0
可拔插次数 Mechanical working life-mating cycles	$\geq 500$
插针 Contacts	
材料 Material	铜合金 Copper alloy
表面处理 Surface	镀金 Gold plated 镀银 Silver plated
接触电阻 Contact resistance	$\leq 3m \Omega$
冷压连接 Crimp terminal	
• 导线规格 Wire gauge	0.14-2.5mm <sup>2</sup>
• AWG	26-14
PE螺钉连接 PE screw terminal	
• 导线规格 Wire gauge	0.5-2.5mm <sup>2</sup>
• AWG	20-14

电流负载能力 Current carrying capacity

电流负载能力所受的限制主要来自包含接插针的接插体可承受的最大温度。The current carrying is limited by maximum temperature of materials for Inserts and contacts including terminals.

测试和控制过程依据DIN EN 60512-5。Measuring and testing techniques according to DIN EN 60512-5.





KQ-012 · Series



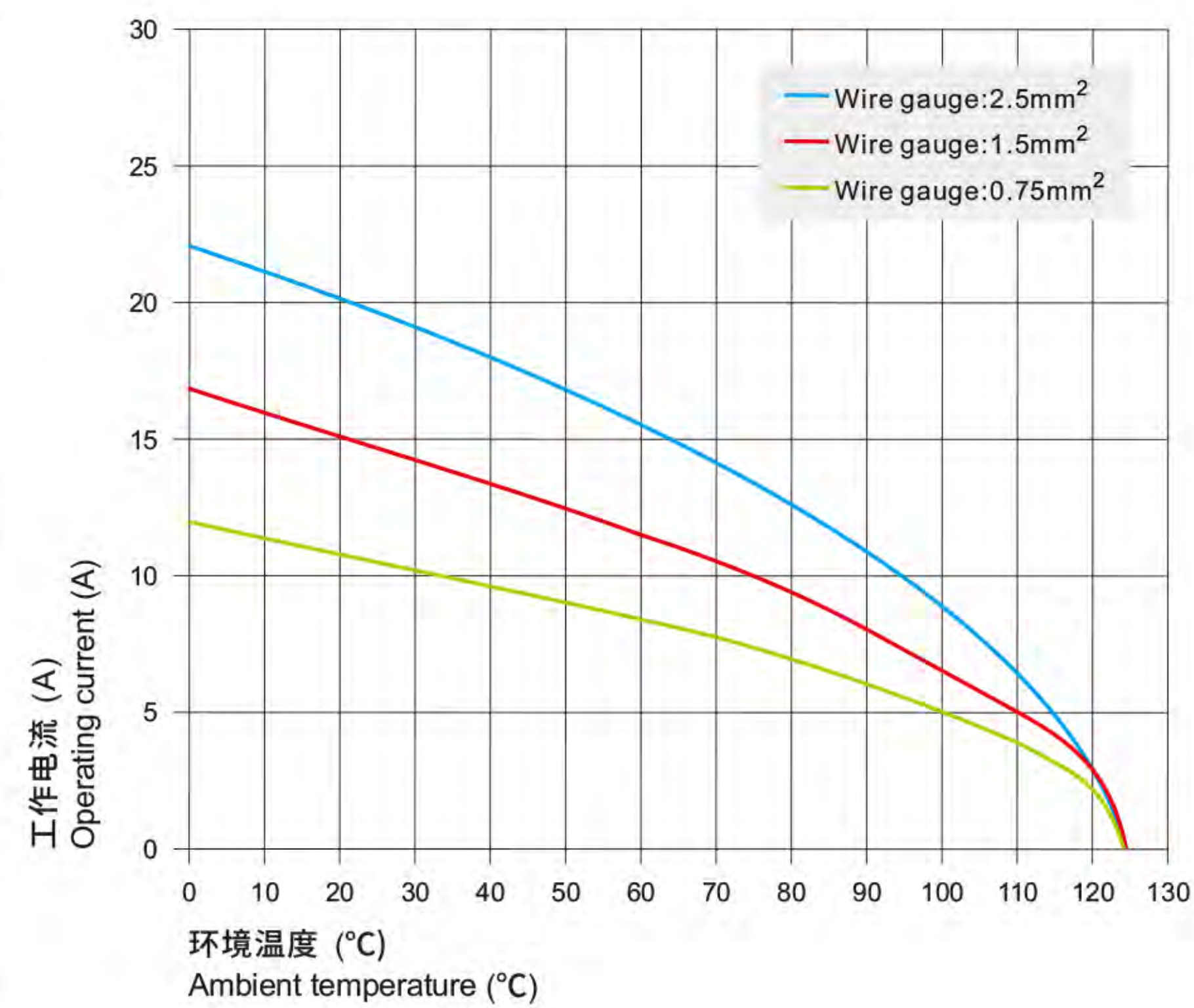
► 技术参数 Technical characteristics

规范 Specifications	DIN EN 60 664 DIN EN 61 984
插芯 Inserts	
依据EN 61 984的额定电压 Electrical data acc.to EN 61 984	
接插件针数 Number of contacts	12+PE
• 额定电流 Rated current	10A
• 额定电压 Rated voltage	400V
• 额定脉冲电压 Rated impulse voltage	6KV
• 污染程度 Pollution degree	3
• 污染等级2时的参数 Pollution degree 2 also	10A 400/690V 6KV 2
依据UL/CSA额定电压 Rated voltage acc.to UL CSA	600V
绝缘电阻 Insulation resistance	≥ 10 <sup>10</sup> Ω
材料 Material	聚碳酸酯 Polycarbonate
工作温度范围 Limiting temperatures	-40 °C ~+125 °C
依据UL94阻燃等级 Flammability acc.to UL94	V0
可拔插次数 Mechanical working life-mating cycles	≥ 500
插针 Contacts	
材料 Material	铜合金 Copper alloy
表面处理 Surface	镀金 Gold plated 镀银 Silver plated
接触电阻 Contact resistance	≤ 3m Ω
冷压连接 Crimp terminal	
• 导线规格 Wire gauge	0.14-2.5mm <sup>2</sup>
• AWG	26-14
PE螺钉连接 PE screw terminal	
• 导线规格 Wire gauge	0.5-2.5mm <sup>2</sup>
• AWG	20-14

电流负载能力 Current carrying capacity

电流负载能力所受的限制主要来自包含接插针的接插体可承受的最大温度。The current carrying is limited by maximum temperature of materials for inserts and contacts including terminals.

测试和控制过程依据DIN EN 60512-5。Measuring and testing techniques according to DIN EN 60512-5.



2+PE		2+PE	
轴向螺栓连接 Axial screw terminal		轴向螺栓连接 Axial screw terminal	
	公 Male	母 Female	
型号Type:	KQ-002. 1-M	KQ-002. 1-F	型号Type:
技术数据 Tech data:		技术数据 Tech data:	
额定电流 Rated current:	40A		额定电流 Rated current:
额定电压 Rated voltage:	400V		额定电压 Rated voltage:
导线规格 Wire gauge:	2.5-6.0mm <sup>2</sup> 14-10AWG		导线规格 Wire gauge:
上壳&底座 Hoods&Housings:	匹配3A外壳, 请参考P80页 Matching 3A Hoods Housing, detail on P80		上壳&底座 Hoods&Housings:



5+PE		7+PE		12+PE	
冷压连接 Crimp terminal		冷压连接 Crimp terminal		冷压连接 Crimp terminal	
型号Type:	公 Male KQ-005-MC	母 Female KQ-005-FC	型号Type:	公 Male KQ-007-MC	母 Female KQ-007-FC
技术数据 Tech data:		技术数据 Tech data:		技术数据 Tech data:	
额定电流 Rated current:	16A		额定电流 Rated current:	10A	
额定电压 Rated voltage:	230/400V		额定电压 Rated voltage:	400V	
导线规格 Wire gauge:	0.14-2.5mm <sup>2</sup> 26-12AWG		导线规格 Wire gauge:	0.14-2.5mm <sup>2</sup> 26-12AWG	
上壳&底座 Hoods&Housings:	匹配3A外壳, 请参考P80页 Matching 3A Hoods Housing, detail on P80		上壳&底座 Hoods&Housings:	匹配3A外壳, 请参考P80页 Matching 3A Hoods Housing, detail on P80	

▶ 附件 Accessories

选择冷压连接时, 需要另外配针, 如下附件:

When cold pressing connection is selected, additional stitches are needed, as shown in the attachment below:

(16A) Crimp contacts	Matching: KA,KE,KEE,KM,KK inserts		Material: Copper alloy		Contact resistance ≤1mΩ																																
Terminal: Crimp connection	Male Contacts	Female Contacts																																			
Silver plated	KF-16A-SM-0.37	KF-16A-SF-0.37	<table border="1"> <thead> <tr> <th>Wire gauge</th> <th>AWG</th> <th>φA</th> <th>Recommended stripping length</th> </tr> </thead> <tbody> <tr><td>0.14-0.37</td><td>26-22</td><td>0.9</td><td>7.5mm</td></tr> <tr><td>0.5</td><td>20</td><td>1.1</td><td>7.5mm</td></tr> <tr><td>0.75</td><td>18</td><td>1.3</td><td>7.5mm</td></tr> <tr><td>1.0</td><td>18</td><td>1.45</td><td>7.5mm</td></tr> <tr><td>1.5</td><td>16</td><td>1.75</td><td>7.5mm</td></tr> <tr><td>2.5</td><td>14</td><td>2.25</td><td>7.5mm</td></tr> <tr><td>4.0</td><td>12</td><td>2.85</td><td>7.5mm</td></tr> </tbody> </table>			Wire gauge	AWG	φA	Recommended stripping length	0.14-0.37	26-22	0.9	7.5mm	0.5	20	1.1	7.5mm	0.75	18	1.3	7.5mm	1.0	18	1.45	7.5mm	1.5	16	1.75	7.5mm	2.5	14	2.25	7.5mm	4.0	12	2.85	7.5mm
Wire gauge	AWG	φA				Recommended stripping length																															
0.14-0.37	26-22	0.9				7.5mm																															
0.5	20	1.1				7.5mm																															
0.75	18	1.3				7.5mm																															
1.0	18	1.45				7.5mm																															
1.5	16	1.75				7.5mm																															
2.5	14	2.25				7.5mm																															
4.0	12	2.85				7.5mm																															
	KF-16A-SM-0.5	KF-16A-SF-0.5																																			
	KF-16A-SM-0.75	KF-16A-SF-0.75																																			
	KF-16A-SM-1.0	KF-16A-SF-1.0																																			
	KF-16A-SM-1.5	KF-16A-SF-1.5																																			
	KF-16A-SM-2.5	KF-16A-SF-2.5																																			
	KF-16A-SM-4.0	KF-16A-SF-4.0																																			
Gold plated	KF-16A-GM-0.37	KF-16A-GF-0.37																																			
	KF-16A-GM-0.5	KF-16A-GF-0.5																																			
	KF-16A-GM-0.75	KF-16A-GF-0.75																																			
	KF-16A-GM-1.0	KF-16A-GF-1.0																																			
	KF-16A-GM-1.5	KF-16A-GF-1.5																																			
	KF-16A-GM-2.5	KF-16A-GF-2.5																																			
	KF-16A-GM-4.0	KF-16A-GF-4.0																																			

▶ 附件 Accessories

选择冷压连接时, 需要另外配针, 如下附件:

When cold pressing connection is selected, additional stitches are needed, as shown in the attachment below:

(10A) Crimp contacts	Matching: KD,KDD,KM,KK,KQ inserts		Material: Copper alloy		Contact resistance ≤3mΩ																												
Terminal: Crimp connection	Male Contacts	Female Contacts																															
Silver plated	KF-10A-SM-0.37	KF-10A-SF-0.37	<table border="1"> <thead> <tr> <th>Wire gauge</th> <th>AWG</th> <th>φA</th> <th>Recommended stripping length</th> </tr> </thead> <tbody> <tr><td>0.14-0.37</td><td>26-22</td><td>0.9</td><td>8mm</td></tr> <tr><td>0.5</td><td>20</td><td>1.1</td><td>8mm</td></tr> <tr><td>0.75</td><td>18</td><td>1.3</td><td>8mm</td></tr> <tr><td>1.0</td><td>18</td><td>1.45</td><td>8mm</td></tr> <tr><td>1.5</td><td>16</td><td>1.75</td><td>8mm</td></tr> <tr><td>2.5</td><td>14</td><td>2.25</td><td>6mm</td></tr> </tbody> </table>			Wire gauge	AWG	φA	Recommended stripping length	0.14-0.37	26-22	0.9	8mm	0.5	20	1.1	8mm	0.75	18	1.3	8mm	1.0	18	1.45	8mm	1.5	16	1.75	8mm	2.5	14	2.25	6mm
Wire gauge	AWG	φA				Recommended stripping length																											
0.14-0.37	26-22	0.9				8mm																											
0.5	20	1.1				8mm																											
0.75	18	1.3				8mm																											
1.0	18	1.45				8mm																											
1.5	16	1.75				8mm																											
2.5	14	2.25				6mm																											
	KF-10A-SM-0.5	KF-10A-SF-0.5																															
	KF-10A-SM-0.75	KF-10A-SF-0.75																															
	KF-10A-SM-1.0	KF-10A-SF-1.0																															
	KF-10A-SM-1.5	KF-10A-SF-1.5																															
	KF-10A-SM-2.5	KF-10A-SF-2.5																															
Gold plated	KF-10A-GM-0.37	KF-10A-GF-0.37																															
	KF-10A-GM-0.5	KF-10A-GF-0.5																															
	KF-10A-GM-0.75	KF-10A-GF-0.75																															
	KF-10A-GM-1.0	KF-10A-GF-1.0																															
	KF-10A-GM-1.5	KF-10A-GF-1.5																															
	KF-10A-GM-2.5	KF-10A-GF-2.5																															

▶ KSB · Series



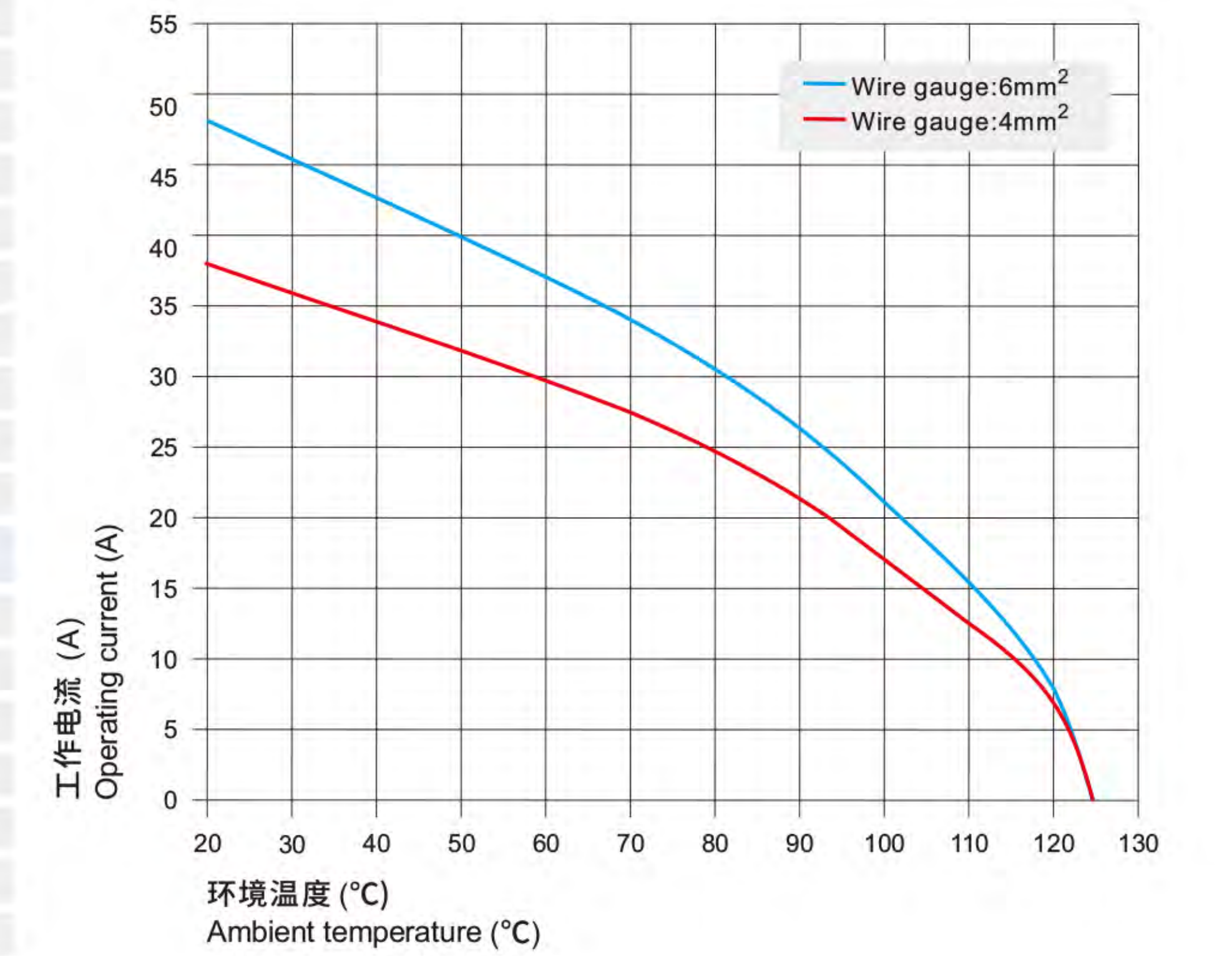
▶ 技术参数 Technical characteristics

规范 Specifications	DIN EN 60 664 DIN EN 61 984
插芯 Inserts	
依据EN 61 984的额定电压 Electrical data acc.to EN 61 984	
接插件件数 Number of contacts	6,12+PE
• 额定电流 Rated current	35A
• 相对地额定电压 Rated voltage conductor-ground	400V
• 相间额定电压 Rated voltage conductor-conductor	690V
• 额定脉冲电压 Rated impulse voltage	6KV
• 污染程度 Pollution degree	3
• 或 or	35A 500V 6KV 3
依据UL/CSA额定电压 Rated voltage acc.to UL CSA	600V
绝缘电阻 Insulation resistance	≥ 10 <sup>10</sup> Ω
材料 Material	聚碳酸酯 Polycarbonate
工作温度范围 Limiting temperatures	-40 °C ~+125 °C
依据UL94阻燃等级 Flammability acc.to UL94	V0
可拔插次数 Mechanical working life-mating cycles	≥ 500
插针 Contacts	
材料 Material	铜合金 Copper alloy
表面处理 Surface	镀银 Hard-silver plated
接触电阻 Contact resistance	≤ 1m Ω
螺钉连接 Screw terminal	
• 导线规格 Wire gauge	1.5-6mm <sup>2</sup>
• AWG	10
• 拧紧力矩 Tightening torque	1.2Nm

电流负载能力 Current carrying capacity

电流负载能力所受的限制主要来自包含接插针的接插体可承受的最大温度。The current carrying is limited by maximum temperature of materials for Inserts and contacts including terminals.

测试和控制过程依据DIN EN 60512-5。Measuring and testing techniques according to DIN EN 60512-5.





4+PE		6+PE		12+PE	
螺丝连接 Screw terminal		螺丝连接 Screw terminal		螺丝连接 Screw terminal	
					
型号Type:	公 Male KSB-004-M 母 Female KSB-004-F	型号Type:	公 Male KSB-006-M 母 Female KSB-006-F	型号Type:	公 Male KSB-006-M KSB-006-M (7-12) 母 Female KSB-006-F KSB-006-F (7-12)
技术数据 Tech data:		技术数据 Tech data:		技术数据 Tech data:	
额定电流 Rated current:	35A	额定电流 Rated current:	35A	额定电流 Rated current:	35A
额定电压 Rated voltage:	500V	额定电压 Rated voltage:	500V	额定电压 Rated voltage:	500V
导线规格 Wire gauge:	1.5-6.0mm <sup>2</sup> 16-10AWG	导线规格 Wire gauge:	1.5-6.0mm <sup>2</sup> 16-10AWG	导线规格 Wire gauge:	1.5-6.0mm <sup>2</sup> 16-10AWG
上壳&底座 Hoods&Housings:	匹配10B外壳, 请参考P84-85页 Matching 10B Hoods Housing, detail on P84-85	上壳&底座 Hoods&Housings:	匹配16B外壳, 请参考P86-87页 Matching 16B Hoods Housing, detail on P86-87	上壳&底座 Hoods&Housings:	匹配32B外壳, 请参考P90页 Matching 32B Hoods Housing, detail on P90

► KK-8/24 · Series



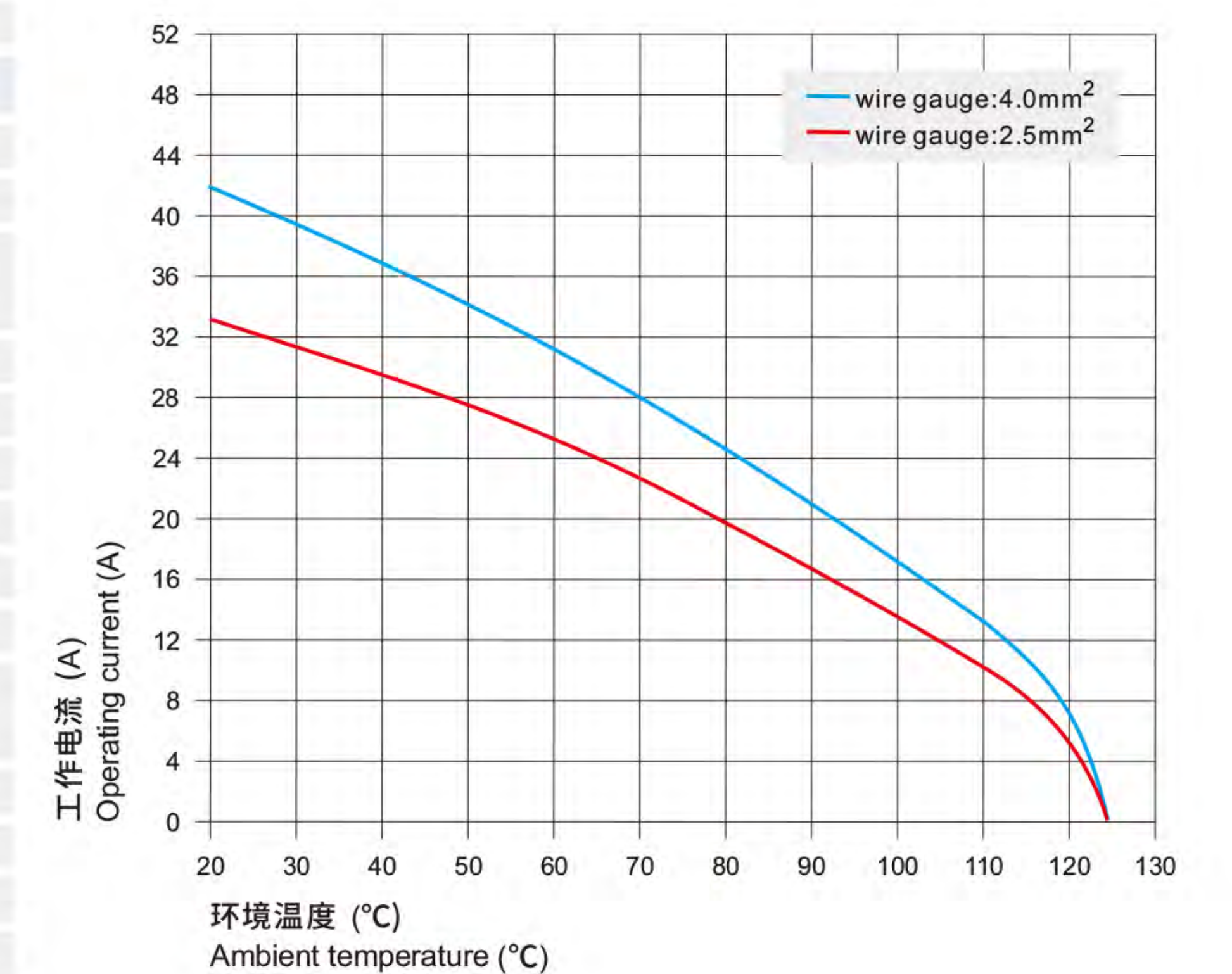
► 技术参数 Technical characteristics

规范 Specifications	DIN EN 60 664 DIN EN 61 984
插芯 Inserts	
依据EN 61 984的额定电压 Electrical data acc.to EN 61 984	
接插件件数 Number of contacts	8/24+PE
电力区 Power area	
• 额定电流 Rated current	16A
• 额定电压 Rated voltage	400V
• 额定脉冲电压 Rated impulse voltage	6KV
• 污染程度 Pollution degree	3
• 污染等级2时的参数 Pollution degree 2 also	10A 250V 4KV 2
信号区 Signal area	
• 额定电流 Rated current	10A
• 额定电压 Rated voltage	250V
• 额定脉冲电压 Rated impulse voltage	4KV
• 污染程度 Pollution degree	3
依据UL/CSA额定电压 Rated voltage acc.to UL CSA	600/300V
绝缘电阻 Insulation resistance	≥ 10 <sup>10</sup> Ω
材料 Material	聚碳酸酯 Polycarbonate
工作温度范围 Limiting temperatures	-40 °C ~+125 °C
依据UL94阻燃等级 Flammability acc.to UL94	V0
可拔插次数 Mechanical working life-mating cycles	≥ 500
插针 Contacts	
强电针 Power contacts	
材料 Material	铜合金 Copper alloy
表面处理 Surface	镀金 Hard-gold plated 镀银 Hard-silver plated
接触电阻 Contact resistance	≤ 1m Ω
冷压连接 Crimp terminal	
• 导线规格 Wire gauge	0.5-4mm <sup>2</sup>
• AWG	20-12
信号针 Signal contacts	
材料 Material	铜合金 Copper alloy
表面处理 Surface	镀金 Hard-gold plated 镀银 Hard-silver plated
接触电阻 Contact resistance	≤ 3m Ω
冷压连接 Crimp terminal	
• 导线规格 Wire gauge	0.14-2.5mm <sup>2</sup>
• AWG	26-14

电流负载能力 Current carrying capacity

电流负载能力所受的限制主要来自包含接插针的接插体可承受的最大温度。  
The current carrying is limited by maximum temperature of materials for Inserts  
and contacts including terminals.

测试和控制过程依据DIN EN 60512-5。  
Measuring and testing techniques according to DIN EN 60512-5.





8/24+PE

冷压连接 Crimp terminal



	公 Male	母 Female
型号 Type:	KK-8/24-MC	KK-8/24-FC

技术数据 Tech data:	
额定电流 Rated current:	16A/10A
额定电压 Rated voltage:	400V/250V
导线规格 Wire gauge:	0.5-6.0mm <sup>2</sup>
	0.14-2.5mm <sup>2</sup>
	20-12AWG 26-14AWG
上壳&底座 Hoods&Housings:	匹配10B外壳, 请参考P84-85页 Matching 10B Hoods Housing, detail on P84-85

▶ 附件 Accessories

选择冷压连接时, 需要另外配针, 如下附件:

When cold pressing connection is selected, additional stitches are needed, as shown in the attachment below:

(10A) Crimp contacts	Matching: KD,KDD,KM,KK,KQ inserts		Material: Copper alloy	Contact resistance ≤3mΩ																																
Terminal: Crimp connection	Male Contacts	Female Contacts																																		
Silver plated	KF-10A-SM-0.37	KF-10A-SF-0.37																																		
	KF-10A-SM-0.5	KF-10A-SF-0.5																																		
	KF-10A-SM-0.75	KF-10A-SF-0.75																																		
	KF-10A-SM-1.0	KF-10A-SF-1.0																																		
	KF-10A-SM-1.5	KF-10A-SF-1.5																																		
	KF-10A-SM-2.5	KF-10A-SF-2.5																																		
Gold plated	KF-10A-GM-0.37	KF-10A-GF-0.37	<table border="1"> <tr> <th colspan="2">Wire gauge</th> <th>φA</th> <th>Recommended stripping length</th> </tr> <tr> <th>mm<sup>2</sup></th> <th>AWG</th> <td></td> <td></td> </tr> <tr> <td>0.14-0.37</td> <td>26-22</td> <td>0.9</td> <td>8mm</td> </tr> <tr> <td>0.5</td> <td>20</td> <td>1.1</td> <td>8mm</td> </tr> <tr> <td>0.75</td> <td>18</td> <td>1.3</td> <td>8mm</td> </tr> <tr> <td>1.0</td> <td>18</td> <td>1.45</td> <td>8mm</td> </tr> <tr> <td>1.5</td> <td>16</td> <td>1.75</td> <td>8mm</td> </tr> <tr> <td>2.5</td> <td>14</td> <td>2.25</td> <td>6mm</td> </tr> </table>		Wire gauge		φA	Recommended stripping length	mm <sup>2</sup>	AWG			0.14-0.37	26-22	0.9	8mm	0.5	20	1.1	8mm	0.75	18	1.3	8mm	1.0	18	1.45	8mm	1.5	16	1.75	8mm	2.5	14	2.25	6mm
	Wire gauge				φA	Recommended stripping length																														
	mm <sup>2</sup>	AWG																																		
	0.14-0.37	26-22			0.9	8mm																														
	0.5	20			1.1	8mm																														
	0.75	18			1.3	8mm																														
1.0	18	1.45	8mm																																	
1.5	16	1.75	8mm																																	
2.5	14	2.25	6mm																																	
KF-10A-GM-0.5	KF-10A-GF-0.5																																			
KF-10A-GM-0.75	KF-10A-GF-0.75																																			
KF-10A-GM-1.0	KF-10A-GF-1.0																																			
KF-10A-GM-1.5	KF-10A-GF-1.5																																			
KF-10A-GM-2.5	KF-10A-GF-2.5																																			

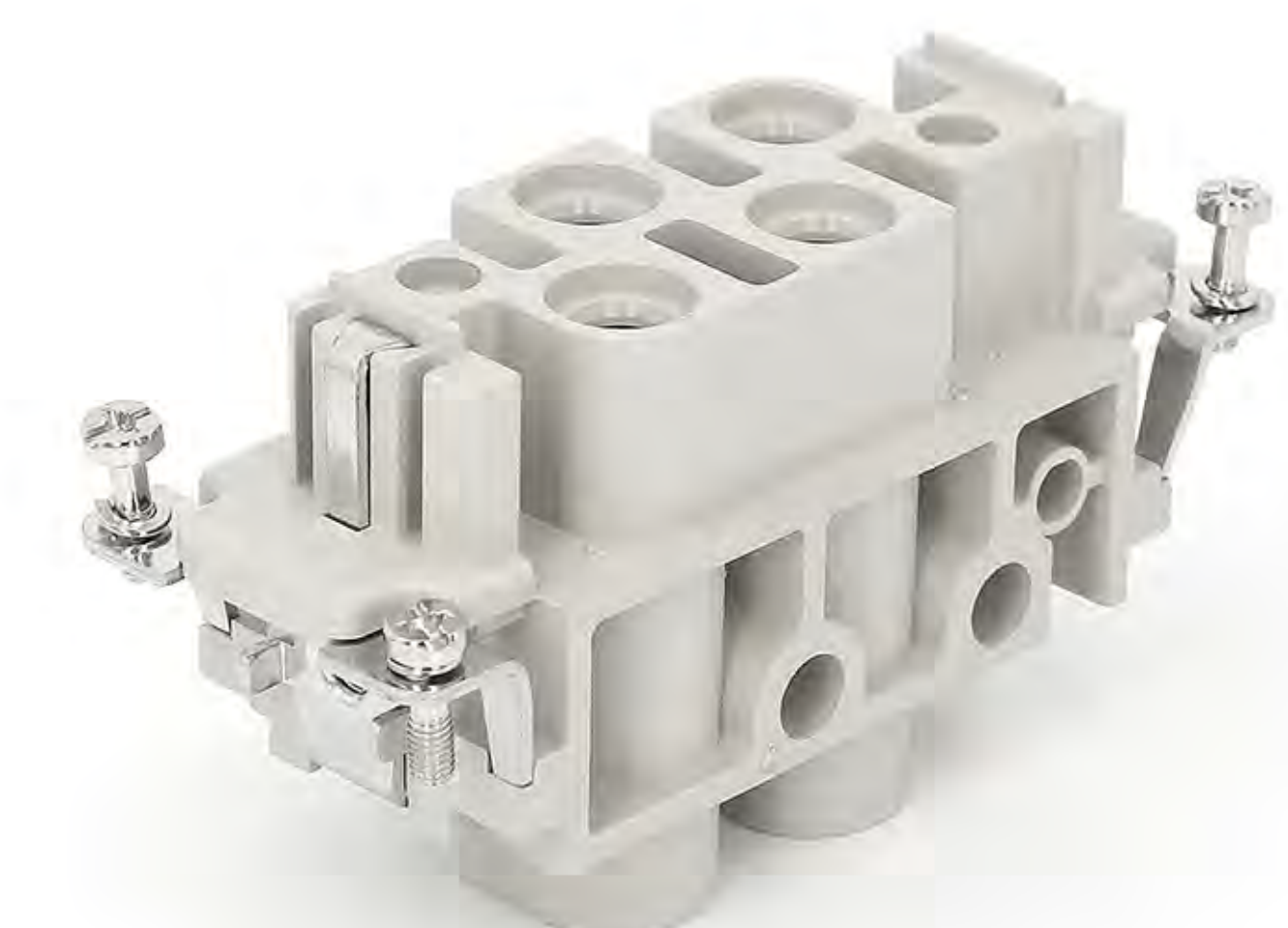
▶ 附件 Accessories

选择冷压连接时, 需要另外配针, 如下附件:

When cold pressing connection is selected, additional stitches are needed, as shown in the attachment below:

(16A) Crimp contacts	Matching: KA,KE,KEE,KM,KK inserts		Material: Copper alloy	Contact resistance ≤1mΩ																																				
Terminal: Crimp connection	Male Contacts	Female Contacts																																						
Silver plated	KF-16A-SM-0.37	KF-16A-SF-0.37																																						
	KF-16A-SM-0.5	KF-16A-SF-0.5																																						
	KF-16A-SM-0.75	KF-16A-SF-0.75																																						
	KF-16A-SM-1.0	KF-16A-SF-1.0																																						
	KF-16A-SM-1.5	KF-16A-SF-1.5																																						
	KF-16A-SM-2.5	KF-16A-SF-2.5																																						
Gold plated	KF-16A-GM-0.37	KF-16A-GF-0.37	<table border="1"> <tr> <th colspan="2">Wire gauge</th> <th>φA</th> <th>Recommended stripping length</th> </tr> <tr> <th>mm<sup>2</sup></th> <th>AWG</th> <td></td> <td></td> </tr> <tr> <td>0.14-0.37</td> <td>26-22</td> <td>0.9</td> <td>7.5mm</td> </tr> <tr> <td>0.5</td> <td>20</td> <td>1.1</td> <td>7.5mm</td> </tr> <tr> <td>0.75</td> <td>18</td> <td>1.3</td> <td>7.5mm</td> </tr> <tr> <td>1.0</td> <td>18</td> <td>1.45</td> <td>7.5mm</td> </tr> <tr> <td>1.5</td> <td>16</td> <td>1.75</td> <td>7.5mm</td> </tr> <tr> <td>2.5</td> <td>14</td> <td>2.25</td> <td>7.5mm</td> </tr> <tr> <td>4.0</td> <td>12</td> <td>2.85</td> <td>7.5mm</td> </tr> </table>		Wire gauge		φA	Recommended stripping length	mm <sup>2</sup>	AWG			0.14-0.37	26-22	0.9	7.5mm	0.5	20	1.1	7.5mm	0.75	18	1.3	7.5mm	1.0	18	1.45	7.5mm	1.5	16	1.75	7.5mm	2.5	14	2.25	7.5mm	4.0	12	2.85	7.5mm
	Wire gauge				φA	Recommended stripping length																																		
	mm <sup>2</sup>	AWG																																						
	0.14-0.37	26-22			0.9	7.5mm																																		
	0.5	20			1.1	7.5mm																																		
	0.75	18			1.3	7.5mm																																		
1.0	18	1.45	7.5mm																																					
1.5	16	1.75	7.5mm																																					
2.5	14	2.25	7.5mm																																					
4.0	12	2.85	7.5mm																																					
KF-16A-GM-0.5	KF-16A-GF-0.5																																							
KF-16A-GM-0.75	KF-16A-GF-0.75																																							
KF-16A-GM-1.0	KF-16A-GF-1.0																																							
KF-16A-GM-1.5	KF-16A-GF-1.5																																							
KF-16A-GM-2.5	KF-16A-GF-2.5																																							
KF-16A-GM-4.0	KF-16A-GF-4.0																																							

▶ KK-4/2 · Series



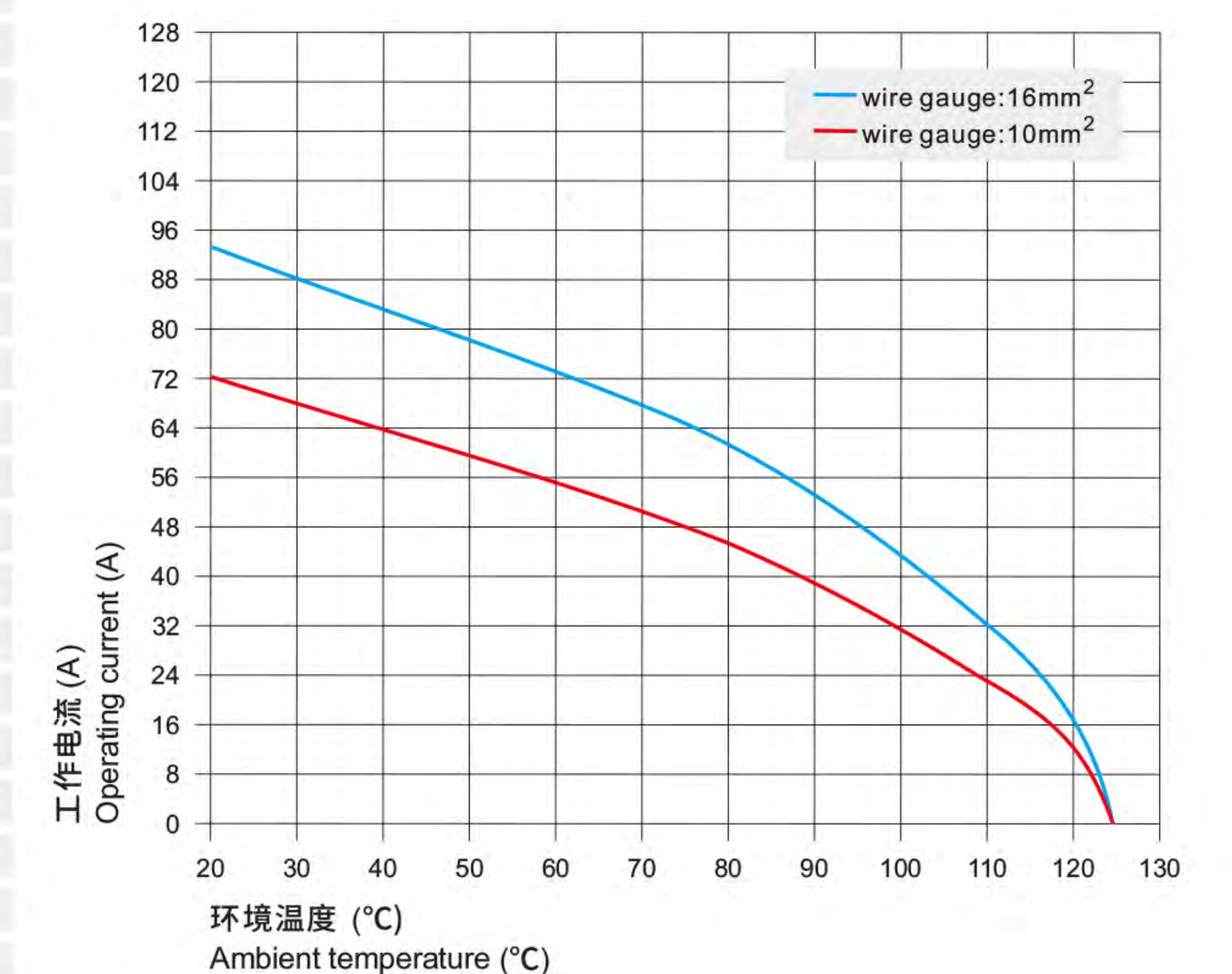
▶ 技术参数 Technical characteristics

规范 Specifications	DIN EN 60 664 DIN EN 61 984
插芯 Inserts	
依据EN 61 984的额定电压 Electrical data acc.to EN 61 984	
接插件针数 Number of contacts	4/0+PE,4/2+PE
电力区 Power area	
• 额定电流 Rated current	80A
• 额定电压 Rated voltage	690V
• 额定脉冲电压 Rated impulse voltage	8KV
• 污染程度 Pollution degree	3
• 污染等级2时的参数 Pollution degree 2 also	80A 1000V 8KV 2
信号区 Signal area	
• 额定电流 Rated current	16A
• 额定电压 Rated voltage	400V
• 额定脉冲电压 Rated impulse voltage	6KV
• 污染程度 Pollution degree	3
• 污染等级2时的参数 Pollution degree 2 also	16A 400/690V 6KV 2
依据UL/CSA额定电压 Rated voltage acc.to UL CSA	600/300V
绝缘电阻 Insulation resistance	≥ 10 <sup>10</sup> Ω
材料 Material	聚碳酸酯 Polycarbonate
工作温度范围 Limiting temperatures	-40 °C ~+125 °C
依据UL94阻燃等级 Flammability acc.to UL94	V0
可拔插次数 Mechanical working life-mating cycles	≥ 500
插针 Contacts	
电力区 Power area	
材料 Material	铜合金 Copper alloy
表面处理 Surface	镀银 Hard-silver plated
接触电阻 Contact resistance	≤ 0.3m Ω
螺钉连接 Screw terminal	
• 导线规格 Wire gauge	1.5-16mm <sup>2</sup>
• AWG	16-6
• 拧紧力矩 Tightening torque	
• mm <sup>2</sup>	1.5 2.5 4 6 10 16
• N.m	1.2 2 3 3 3 3
• 剥线长度 Stripping length	14mm
信号区 Signal area	
材料 Material	铜合金 Copper alloy
表面处理 Surface	镀银 Hard-silver plated
接触电阻 Contact resistance	≤ 1m Ω
螺钉连接 Screw terminal	
• 导线规格 Wire gauge	0.5-2.5mm <sup>2</sup>
• AWG	20-14
• 拧紧力矩 Tightening torque	0.5Nm
• 剥线长度 Stripping length	7.5mm

电流负载能力 Current carrying capacity

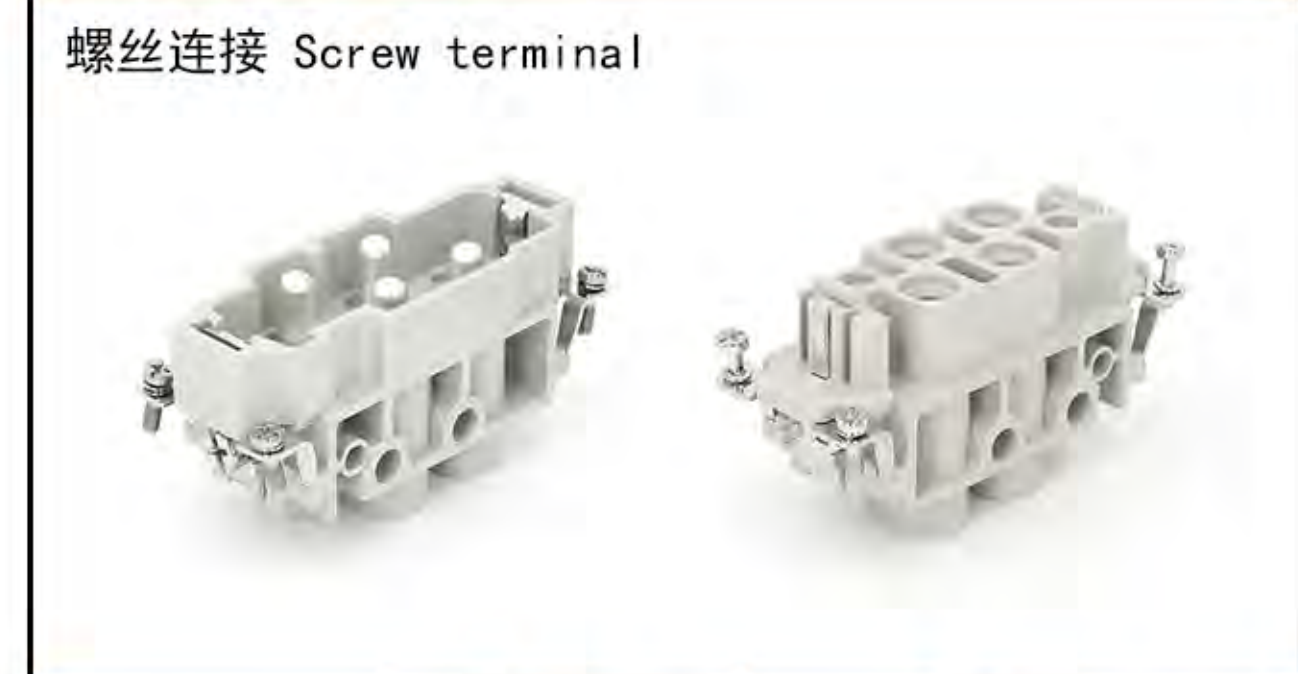
电流负载能力所受的限制主要来自包含接插针的接插体可承受的最大温度。The current carrying is limited by maximum temperature of materials for Inserts and contacts including terminals.

测试和控制过程依据DIN EN 60512-5。Measuring and testing techniques according to DIN EN 60512-5.





### 4/0+PE

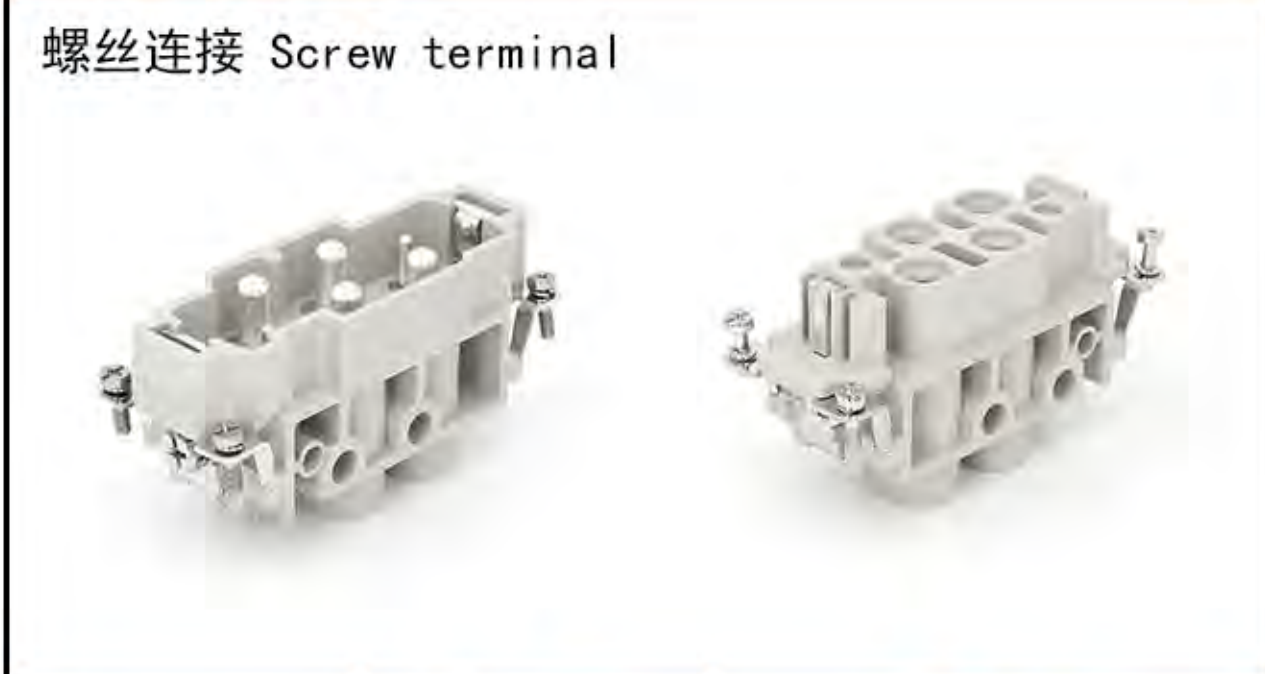


	公 Male	母 Female
型号Type:	KK-4/0-M	KK-4/0-F

#### 技术数据 Tech data:

额定电流 Rated current:	80A
额定电压 Rated voltage:	690V
导线规格 Wire gauge:	1.5-16mm <sup>2</sup>
	16-6AWG
上壳&底座 Hoods&Housings:	匹配168外壳, 请参考P86-87页 Matching 168 Hoods Housing, detail on P86-87

### 4/2+PE



	公 Male	母 Female
型号Type:	KK-4/2-M	KK-4/2-F

#### 技术数据 Tech data:

额定电流 Rated current:	80A/16A
额定电压 Rated voltage:	690V/400V
导线规格 Wire gauge:	1.5-16mm <sup>2</sup>
	1.0-2.5mm <sup>2</sup>
	16-6AWG 18-14AWG
上壳&底座 Hoods&Housings:	匹配168外壳, 请参考P86-87页 Matching 168 Hoods Housing, detail on P86-87

## ► KK-4/4 · Series



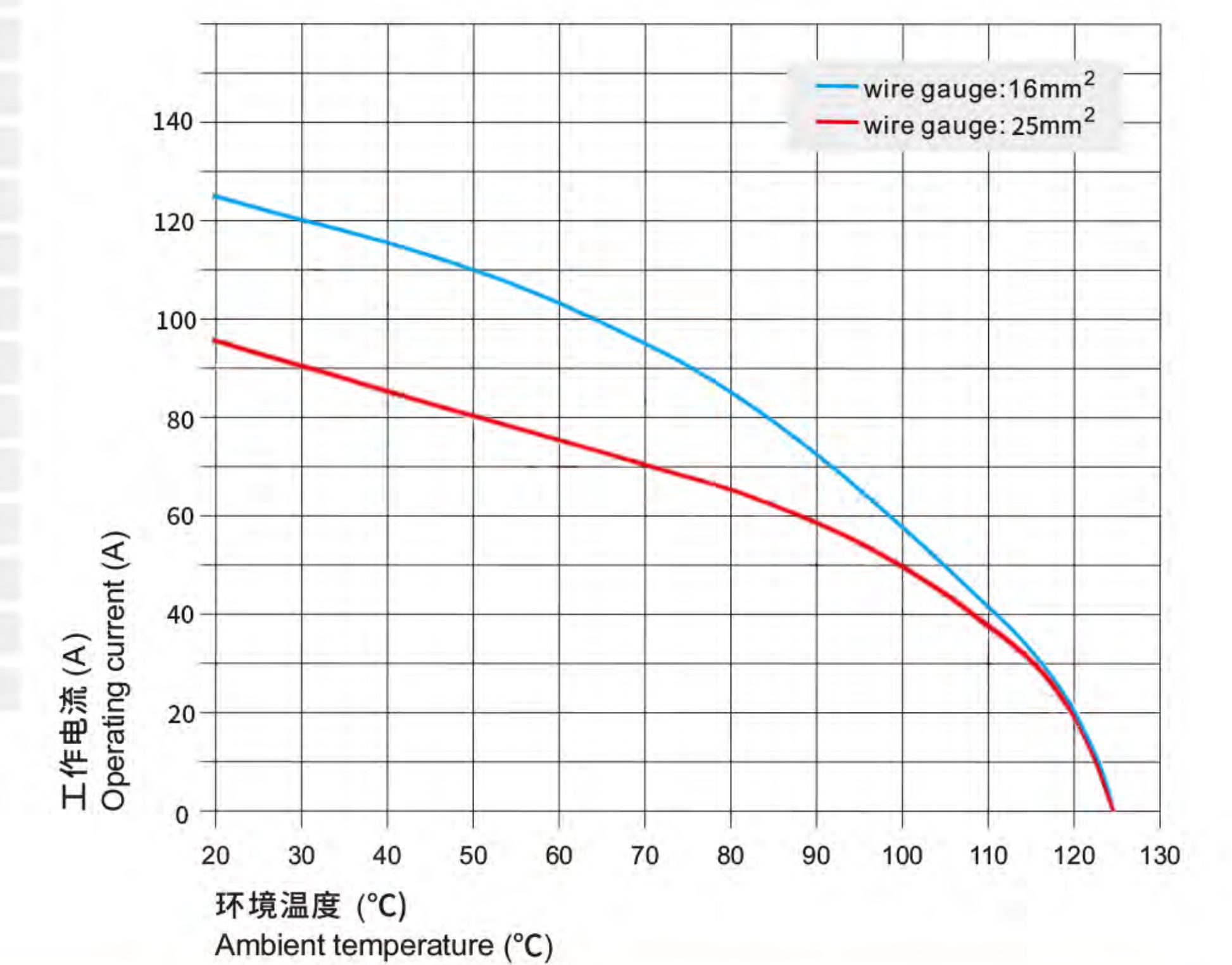
### ► 技术参数 Technical characteristics

规范 Specifications	DIN EN 60 664 DIN EN 61 984
插芯 Inserts	
依据EN 61 984的额定电压 Electrical data acc.to EN 61 984	
接插件针数 Number of contacts	4/4+PE
电力区 Power area	
• 额定电流 Rated current	63A
• 额定电压 Rated voltage	690V
• 额定脉冲电压 Rated impulse voltage	8KV
• 污染程度 Pollution degree	3
信号区 Signal area	
• 额定电流 Rated current	16A
• 额定电压 Rated voltage	250V
• 额定脉冲电压 Rated impulse voltage	4KV
• 污染程度 Pollution degree	3
依据UL/CSA额定电压 Rated voltage acc.to UL CSA	600/230V
绝缘电阻 Insulation resistance	≥ 10 <sup>10</sup> Ω
材料 Material	聚碳酸酯 Polycarbonate
工作温度范围 Limiting temperatures	-40 °C ~+125 °C
依据UL94阻燃等级 Flammability acc.to UL94	V0
可拔插次数 Mechanical working life-mating cycles	≥ 500
插针 Contacts	
电力区 Power area	
材料 Material	铜合金 Copper alloy
表面处理 Surface	镀银 Hard-silver plated
接触电阻 Contact resistance	≤ 0.5m Ω
轴向螺栓连接 Axial screw terminal	
• mm <sup>2</sup>	6-22 mm <sup>2</sup>
• AWG	8-4
• 最大电缆直径	11mm
• 剥线长度 Stripping length	11mm
信号区 Signal area	
材料 Material	铜合金 Copper alloy
表面处理 Surface	镀银 Hard-silver plated
接触电阻 Contact resistance	≤ 3m Ω
弹片连接 Cage clamp	
• mm <sup>2</sup>	0.14-2.5 mm <sup>2</sup>
• AWG	26-14
• 剥线长度 Stripping length	7-9mm

### 电流负载能力 Current carrying capacity

电流负载能力所受的限制主要来自包含接插针的接插体可承受的最大温度。The current carrying is limited by maximum temperature of materials for Inserts and contacts including terminals.

测试和控制过程依据DIN EN 60512-5。Measuring and testing techniques according to DIN EN 60512-5.





4/4+PE

螺丝连接 Screw terminal



	公 Male	母 Female
型号Type:	KK-004.1/4-M	KK-004.1/4-F

技术数据 Tech data:

额定电流 Rated current:	63A/16A
额定电压 Rated voltage:	690V/250V
导线规格 Wire gauge:	6-16mm <sup>2</sup> 0.14-2.5mm <sup>2</sup>
上壳&底座 Hoods&Housings:	匹配10B外壳, 请参考P84-85页 Matching 10B Hoods Housing, detail on P84-85

4/4+PE

螺丝连接 Screw terminal

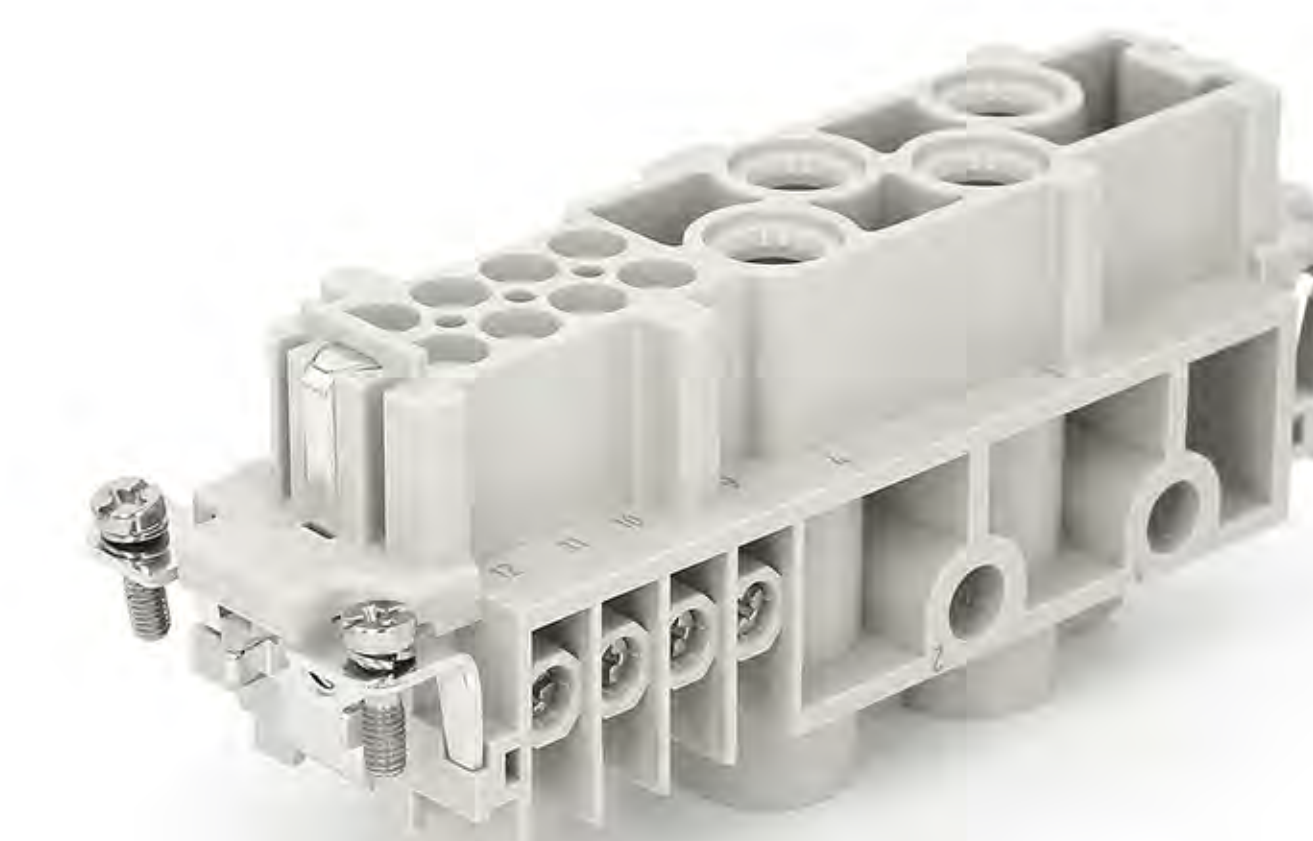
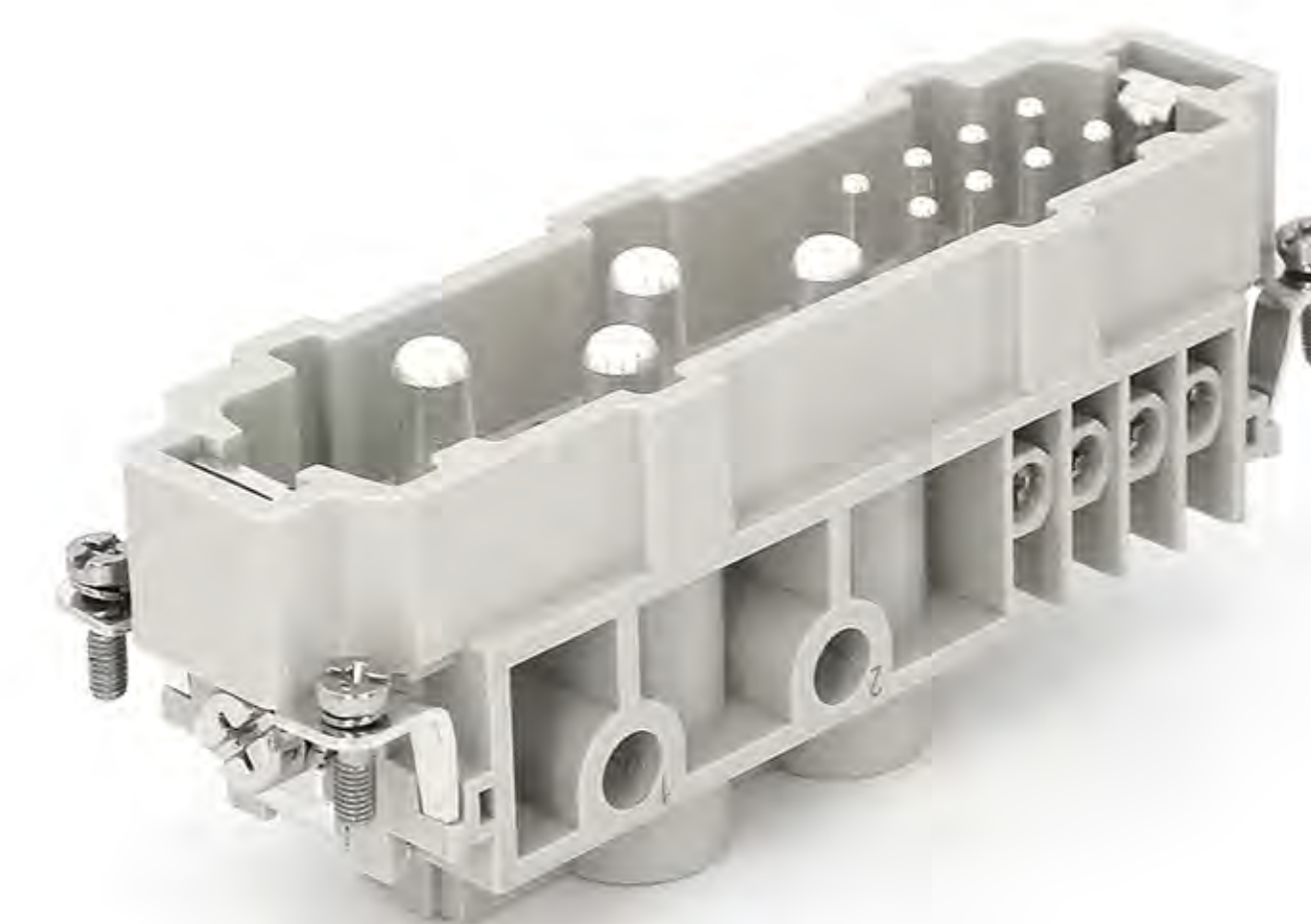


	公 Male	母 Female
型号Type:	KK-004.2/4-M	KK-004.2/4-F

技术数据 Tech data:

额定电流 Rated current:	63A/16A
额定电压 Rated voltage:	690V/250V
导线规格 Wire gauge:	14-22mm <sup>2</sup> 0.14-2.5mm <sup>2</sup>
上壳&底座 Hoods&Housings:	匹配10B外壳, 请参考P84-85页 Matching 10B Hoods Housing, detail on P84-85

► KK-4/8 · Series



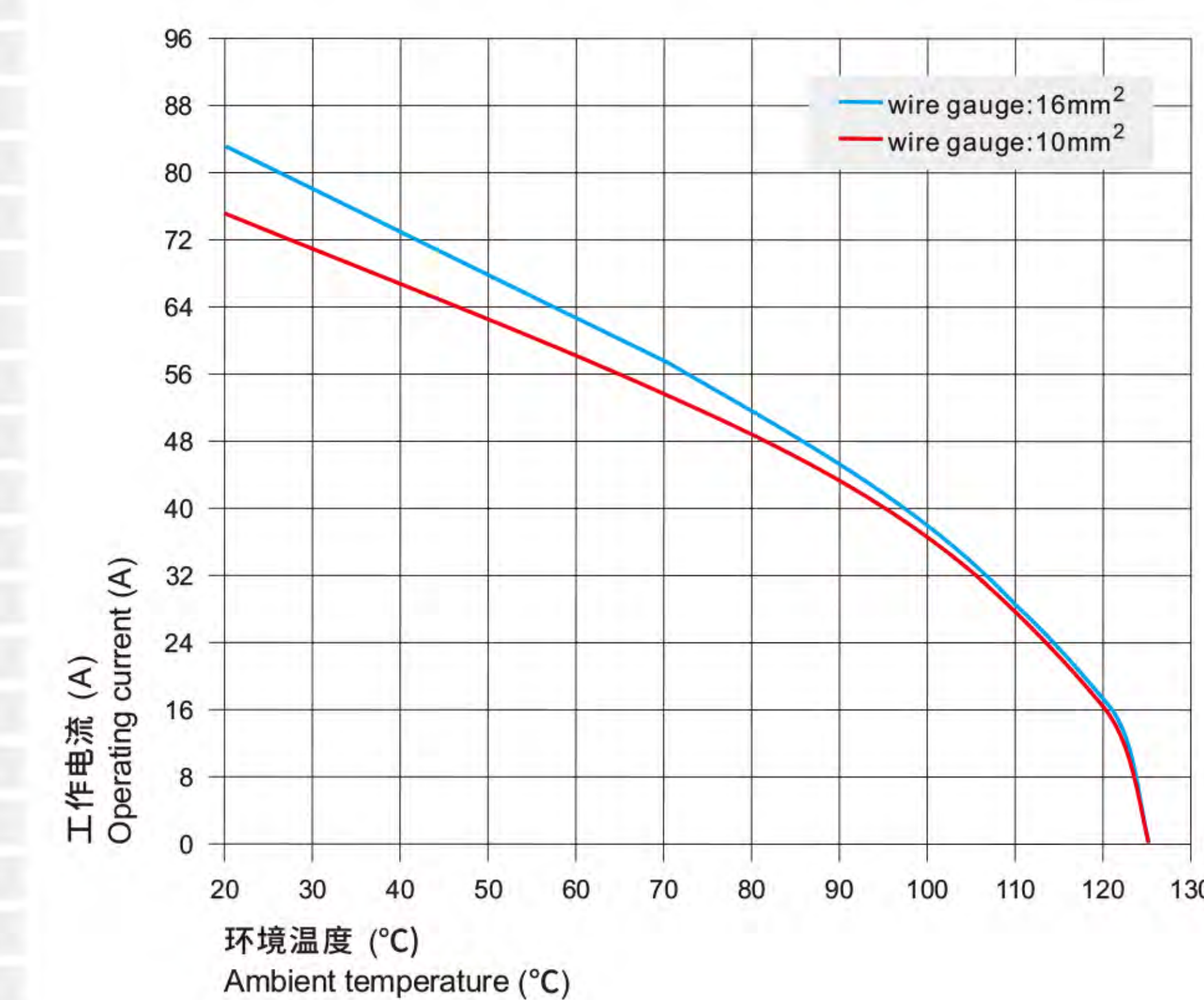
► 技术参数 Technical characteristics

规范 Specifications	DIN EN 60 664 DIN EN 61 984
插芯 Inserts	
依据EN 61 984的额定电压 Electrical data acc.to EN 61 984	
接插件针数 Number of contacts	4/8+PE
电力区 Power area	
• 额定电流 Rated current	80A
• 额定电压 Rated voltage	400V
• 额定脉冲电压 Rated impulse voltage	6KV
• 污染程度 Pollution degree	3
• 污染等级2时的参数 Pollution degree 2 also	80A 400/690V 6KV 2
信号区 Signal area	
• 额定电流 Rated current	16A
• 额定电压 Rated voltage	400V
• 额定脉冲电压 Rated impulse voltage	6KV
• 污染程度 Pollution degree	3
依据UL/CSA额定电压 Rated voltage acc.to UL CSA	600/600V
绝缘电阻 Insulation resistance	≥ 10 <sup>10</sup> Ω
材料 Material	聚碳酸酯 Polycarbonate
工作温度范围 Limiting temperatures	-40 °C ~+125 °C
依据UL94阻燃等级 Flammability acc.to UL94	V0
可拔插次数 Mechanical working life-mating cycles	≥ 500
插针 Contacts	
电力区 Power area	
材料 Material	铜合金 Copper alloy
表面处理 Surface	镀银 Hard-silver plated
接触电阻 Contact resistance	≤ 0.3m Ω
螺钉连接 Screw terminal	
• 导线规格 Wire gauge	1.5-16mm <sup>2</sup>
• AWG	16-6
• 拧紧力矩 Tightening torque	
• mm <sup>2</sup>	1.5 2.5 4 6 10 16
• N.m	1.2 2 3 3 3 3
• 剥线长度 Stripping length	14mm
信号区 Signal area	
材料 Material	铜合金 Copper alloy
表面处理 Surface	镀银 Hard-silver plated
接触电阻 Contact resistance	≤ 1m Ω
螺钉连接 Screw terminal	
• 导线规格 Wire gauge	1.0-2.5mm <sup>2</sup>
• AWG	18-14
• 拧紧力矩 Tightening torque	0.5Nm
• 剥线长度 Stripping length	7.5mm

电流负载能力 Current carrying capacity

电流负载能力所受的限制主要来自包含接插针的接插体可承受的最大温度。The current carrying is limited by maximum temperature of materials for Inserts and contacts including terminals.

测试和控制过程依据DIN EN 60512-5。Measuring and testing techniques according to DIN EN 60512-5.





4/8+PE

螺丝连接 Screw terminal



	公 Male	母 Female
型号 Type:	KK-4/8-M	KK-4/8-F
<b>技术数据 Tech data:</b>		
额定电流 Rated current:	80A/16A	
额定电压 Rated voltage:	400V/400V	
导线规格 Wire gauge:	1.5-1.6mm <sup>2</sup>	
	0.75-2.5mm <sup>2</sup>	
	16-6AWG 18-14AWG	
上壳&底座 Hoods&Housings:	匹配24B外壳, 请参考P88-89页 Matching 24B Hoods Housing, detail on P88-89	

► KWK-6/6 · Series



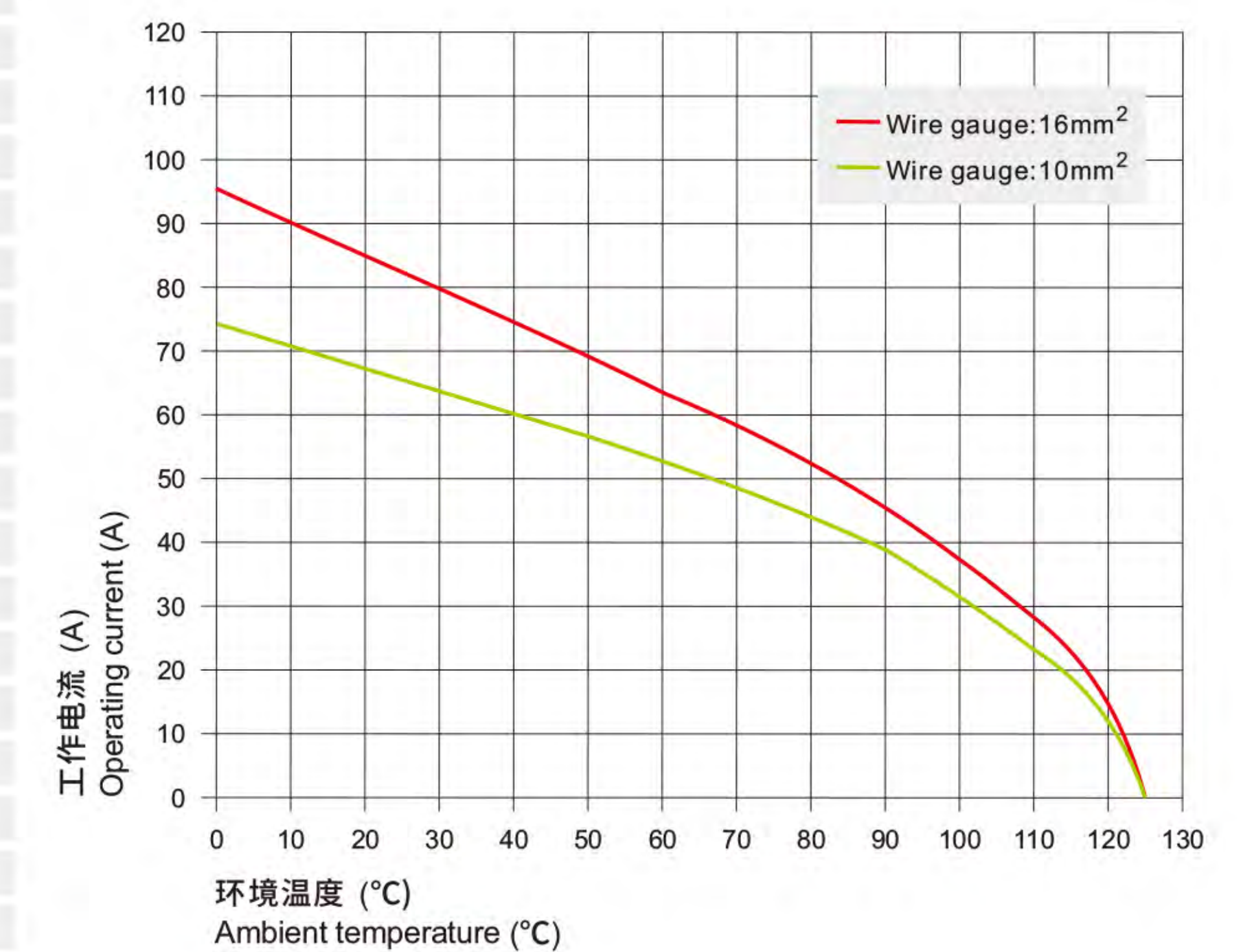
► 技术参数 Technical characteristics

规范 Specifications	DIN EN 60 664 DIN EN 61 984
插芯 Inserts	
依据EN 61 984的额定电压 Electrical data acc.to EN 61 984	
接插件针数 Number of contacts	6/6+PE
电力区 Power area	
• 额定电流 Rated current	40A
• 额定电压 Rated voltage	690V
• 额定脉冲电压 Rated impulse voltage	8KV
• 污染程度 Pollution degree	3
信号区 Signal area	
• 额定电流 Rated current	16A
• 额定电压 Rated voltage	400V
• 额定脉冲电压 Rated impulse voltage	6KV
• 污染程度 Pollution degree	3
依据UL/CSA额定电压 Rated voltage acc.to UL CSA	600/600V
绝缘电阻 Insulation resistance	≥ 10 <sup>10</sup> Ω
材料 Material	聚碳酸酯 Polycarbonate
工作温度范围 Limiting temperatures	-40 °C ~+125 °C
依据UL94阻燃等级 Flammability acc.to UL94	V0
可拔插次数 Mechanical working life-mating cycles	≥ 500
插针 Contacts	
电力区 Power area	
材料 Material	铜合金 Copper alloy
表面处理 Surface	镀银 Hard-silver plated
接触电阻 Contact resistance	≤ 1m Ω
螺钉连接 Screw terminal	
• 导线规格 Wire gauge	4-10mm <sup>2</sup>
• AWG	12-8
• 拧紧力矩 Tightening torque	
• mm <sup>2</sup>	1.5 2.5 4 6 10
• N.m	1.2 2 3 3 3
信号区 Signal area	
材料 Material	铜合金 Copper alloy
表面处理 Surface	镀银 Hard-silver plated
接触电阻 Contact resistance	≤ 1m Ω
螺钉连接 Screw terminal	
• 导线规格 Wire gauge	1-2.5mm <sup>2</sup>
• AWG	18-4
• 拧紧力矩 Tightening torque	0.5Nm

电流负载能力 Current carrying capacity

电流负载能力所受的限制主要来自包含接插针的接插体可承受的最大温度。  
The current carrying is limited by maximum temperature of materials for inserts and contacts including terminals.

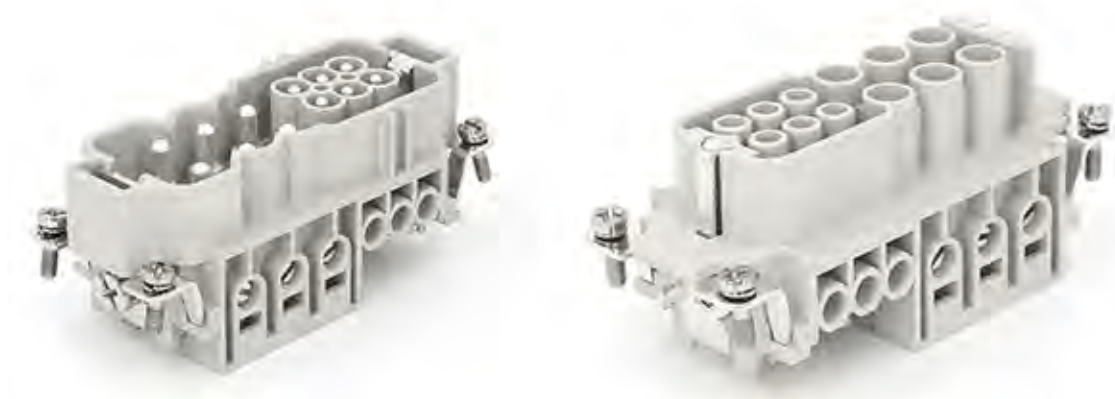
测试和控制过程依据DIN EN 60512-5。  
Measuring and testing techniques according to DIN EN 60512-5.





6/6+PE

螺丝连接 Screw terminal



	公 Male	母 Female
型号Type:	KWK-6/6-M	KWK-6/6-F
<b>技术数据 Tech data:</b>		
额定电流 Rated current:	40A/16A	
额定电压 Rated voltage:	690V/400V	
导线规格 Wire gauge:	4-10mm <sup>2</sup>	
	1.0-2.5mm <sup>2</sup>	
	12-8AWG 18-14AWG	
上壳&底座 Hoods&Housings:	匹配168外壳, 请参考P86-87页 Matching 168 Hoods Housing, detail on P86-87	

► KK-6/6 · Series



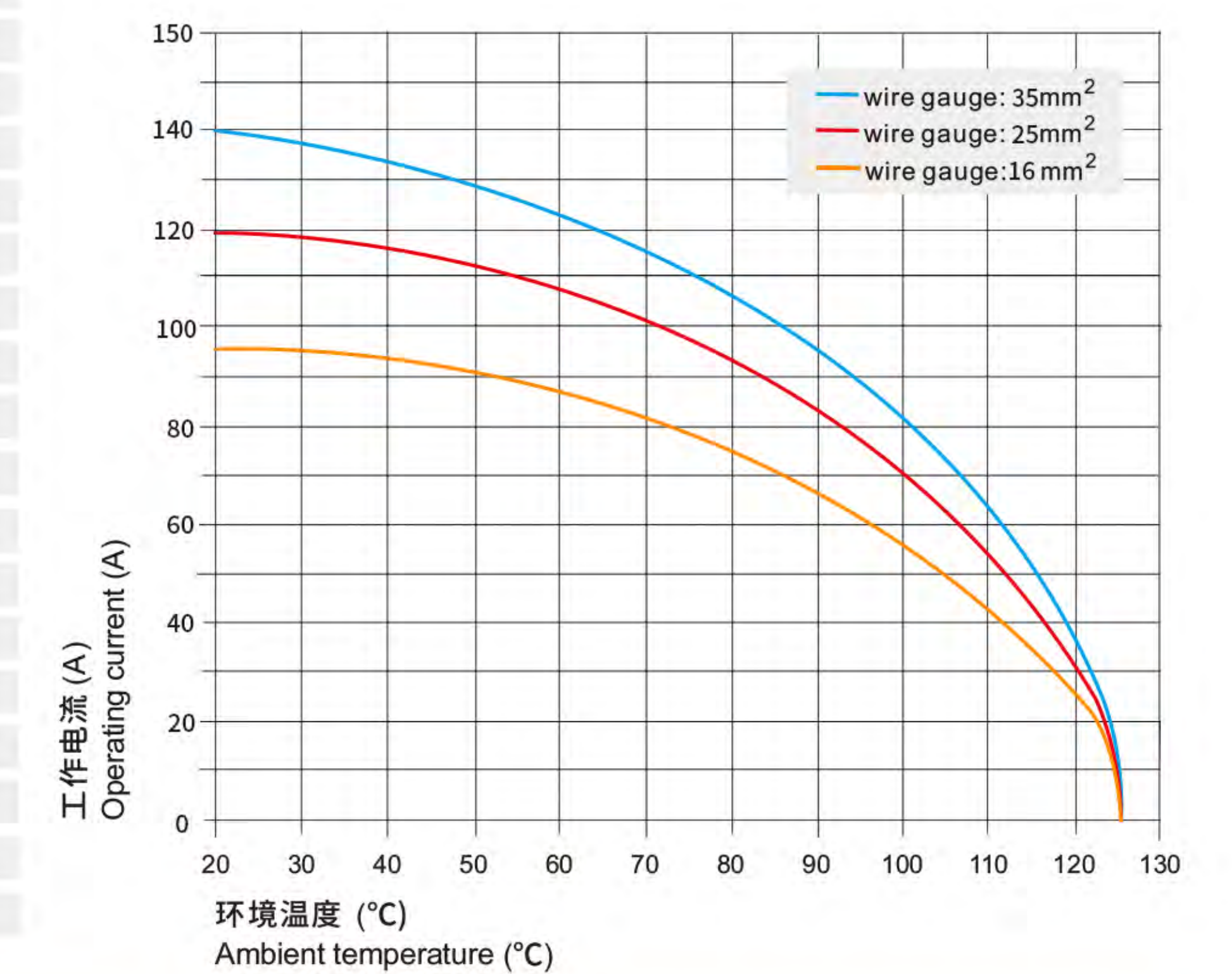
► 技术参数 Technical characteristics

规范 Specifications	DIN EN 60 664 DIN EN 61 984
插芯 Inserts	
依据EN 61 984的额定电压 Electrical data acc.to EN 61 984	
接插件针数 Number of contacts	6/6+PE
电力区 Power area	
• 额定电流 Rated current	100A
• 额定电压 Rated voltage	690V
• 额定脉冲电压 Rated impulse voltage	8KV
• 污染程度 Pollution degree	3
• 污染等级2时的参数 Pollution degree 2 also	100A 1000V 8KV 2
信号区 Signal area	
• 额定电流 Rated current	16A
• 额定电压 Rated voltage	400V
• 额定脉冲电压 Rated impulse voltage	6KV
• 污染程度 Pollution degree	3
依据UL/CSA额定电压 Rated voltage acc.to UL CSA	600/300V
依据UL/CSA额定电流 Rated current acc.to UL CSA	600/600V
绝缘电阻 Insulation resistance	≥ 10 <sup>10</sup> Ω
材料 Material	聚碳酸酯 Polycarbonate
工作温度范围 Limiting temperatures	-40 °C ~+125 °C
依据UL94阻燃等级 Flammability acc.to UL94	V0
可拔插次数 Mechanical working life-mating cycles	≥ 500
插针 Contacts	
强电针 Power Contacts	
材料 Material	铜合金 Copper alloy
表面处理 Surface	镀银 Hard-silver plated
接触电阻 Contact resistance	≤ 0.5m Ω
轴向螺栓连接 Acial screw terminal	
• mm <sup>2</sup>	16-35mm <sup>2</sup>
• AWG	5-2
• 最大绝缘直径 Max insulation diameter	11.4mm
• 拧紧力矩 Tightening torque	
• mm <sup>2</sup>	16 25 35
• N.m	6 7 8
• 剥线长度 Stripping length	13 <sup>+1</sup> mm
材料 Material	铜合金 Copper alloy
表面处理 Surface	镀银 Hard-silver plated
接触电阻 Contact resistance	≤ 3m Ω
弹片连接 Cage clamp	
• mm <sup>2</sup>	0.2-2.5mm <sup>2</sup>
• AWG	24-13
• 剥线长度 Stripping length	7.5mm
• 拧紧力矩 Tightening torque	0.8Nm

电流负载能力 Current carrying capacity

电流负载能力所受的限制主要来自包含接插针的接插体可承受的最大温度。  
The current carrying is limited by maximum temperature of materials for Inserts  
and contacts including terminals.

测试和控制过程依据DIN EN 60512-5。  
Measuring and testing techniques according to DIN EN 60512-5.





6/6+PE

螺丝连接 Screw terminal



	公 Male	母 Female
型号 Type:	KK-6/6-M	KK-6/6-F

技术数据 Tech data:

额定电流 Rated current:	100A/16A
额定电压 Rated voltage:	690V/400V
导线规格 Wire gauge:	16-35mm <sup>2</sup>
	0.5-2.5mm <sup>2</sup>
	6-2AWG 20-14AWG
上壳&底座 Hoods&Housings:	匹配24B外壳, 请参考P88-89页 Matching 24B Hoods Housing, detail on P88-89

► KK-6/12 · Series



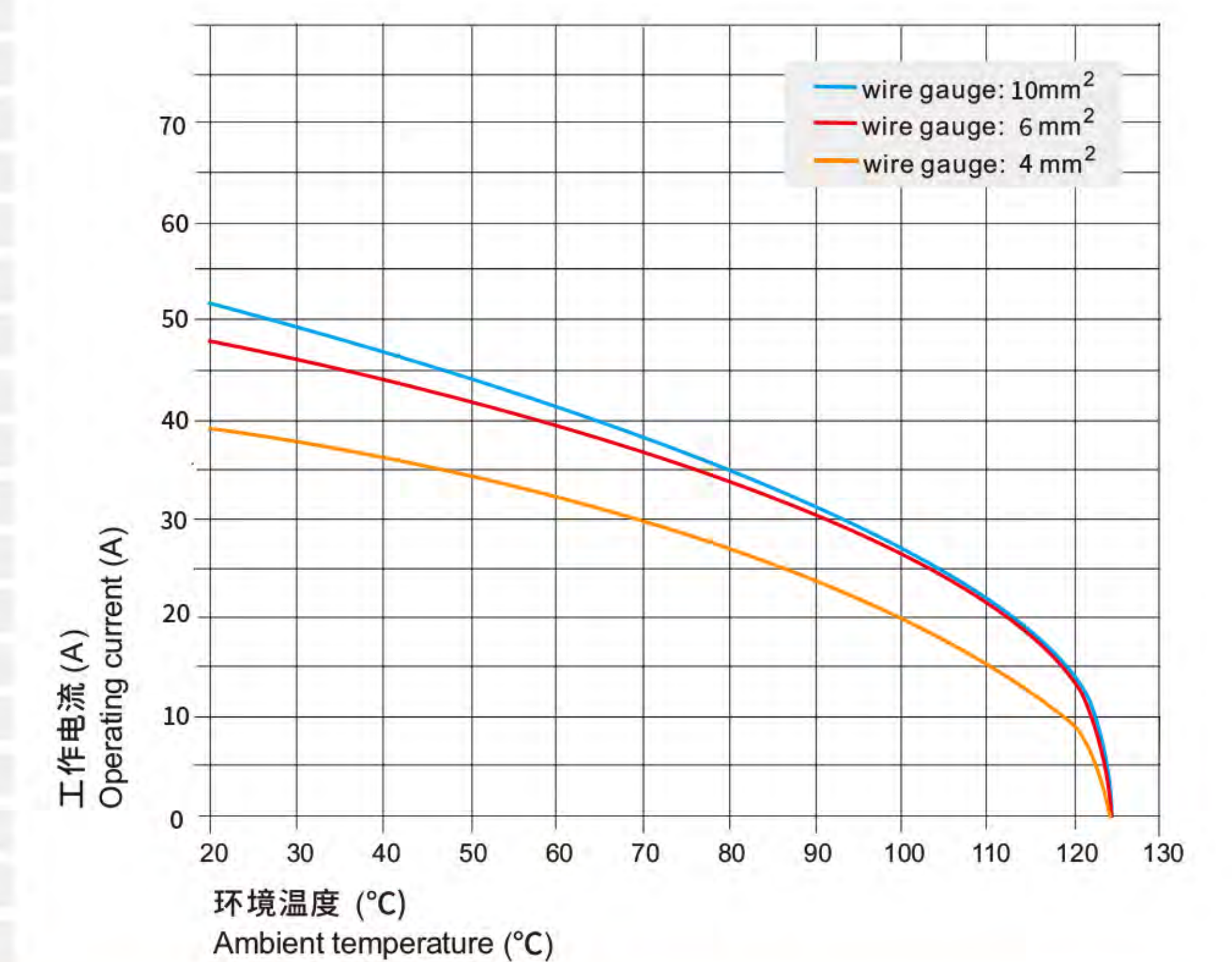
► 技术参数 Technical characteristics

规范 Specifications	DIN EN 60 664 DIN EN 61 984
插芯 Inserts	
依据EN 61 984的额定电压 Electrical data acc.to EN 61 984	
接插件针数 Number of contacts	6/12+PE
电力区 Power area	
• 额定电流 Rated current	40A
• 额定电压 Rated voltage	690V
• 额定脉冲电压 Rated impulse voltage	6KV
• 污染程度 Pollution degree	3
信号区 Signal area	
• 额定电流 Rated current	10A
• 额定电压 Rated voltage	230/400V
• 额定脉冲电压 Rated impulse voltage	4KV
• 污染程度 Pollution degree	3
依据UL/CSA额定电压 Rated voltage acc.to UL CSA	600/300V
绝缘电阻 Insulation resistance	≥ 10 <sup>10</sup> Ω
材料 Material	聚碳酸酯 Polycarbonate
工作温度范围 Limiting temperatures	-40 °C ~+125 °C
依据UL94阻燃等级 Flammability acc.to UL94	V0
可拔插次数 Mechanical working life-mating cycles	≥ 500
插针 Contacts	
强电针 Power Contacts	
材料 Material	铜合金 Copper alloy
表面处理 Surface	镀银 Hard-silver plated
接触电阻 Contact resistance	≤ 0.5m Ω
轴向螺栓连接 Acial screw terminal	
• mm <sup>2</sup>	2.5-10mm <sup>2</sup>
• AWG	14-8
• 最大绝缘直径 Max insulation diameter	6.1mm
• 拧紧力矩 Tightening torque	
• mm <sup>2</sup>	2.5 4 6 10
• N.m	1.5 1.5 2 2
• 剥线长度 Stripping length	
• mm <sup>2</sup>	2.5 4 6 10
• mm	5 <sup>11</sup> 5 <sup>11</sup> 8 <sup>11</sup> 8 <sup>11</sup>
材料 Material	铜合金 Copper alloy
表面处理 Surface	镀银 Hard-silver plated
接触电阻 Contact resistance	≤ 3m Ω
弹片连接 Cage clamp	
• mm <sup>2</sup>	0.2-2.5 mm <sup>2</sup>
• AWG	24-14
• 剥线长度 Stripping length	7.5mm
• 拧紧力矩 Tightening torque	0.8Nm

电流负载能力 Current carrying capacity

电流负载能力所受的限制主要来自包含接插针的接插体可承受的最大温度。The current carrying is limited by maximum temperature of materials for Inserts and contacts including terminals.

测试和控制过程依据DIN EN 60512-5。Measuring and testing techniques according to DIN EN 60512-5.





6/12+PE

螺丝连接 Screw terminal



	公 Male	母 Female
型号Type:	KK-6.1/12-M	KK-6.1/12-F

技术数据 Tech data:

额定电流 Rated current:	40A/10A
额定电压 Rated voltage:	690V/250V
导线规格 Wire gauge:	2.5-8mm <sup>2</sup>
	0.5-2.5mm <sup>2</sup>
	14-10AWG
	20-14AWG

上壳&底座 Hoods&Housings: 匹配16B外壳, 请参考P86-87页 Matching 16B Hoods Housing, detail on P86-87

6/12+PE

螺丝连接 Screw terminal



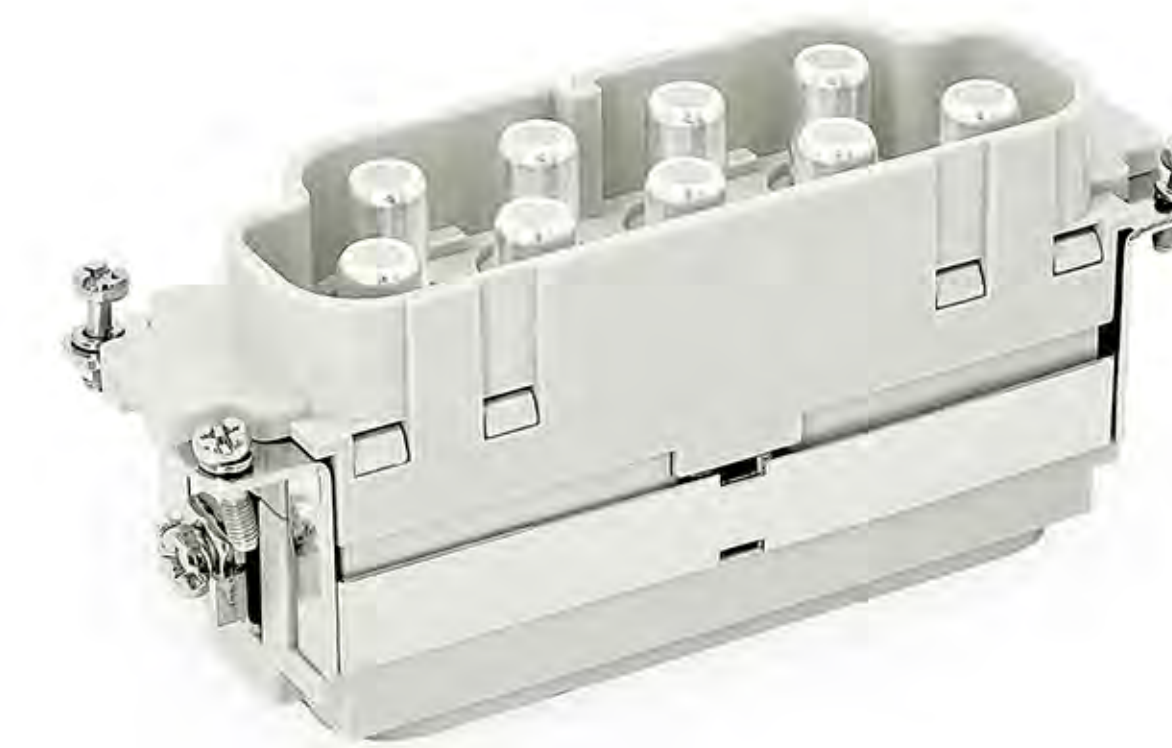
	公 Male	母 Female
型号Type:	KK-6.2/12-M	KK-6.2/12-F

技术数据 Tech data:

额定电流 Rated current:	40A/10A
额定电压 Rated voltage:	690V/250V
导线规格 Wire gauge:	6-10mm <sup>2</sup>
	0.5-2.5mm <sup>2</sup>
	10-8AWG
	20-14AWG

上壳&底座 Hoods&Housings: 匹配16B外壳, 请参考P86-87页 Matching 16B Hoods Housing, detail on P86-87

► KK-8/0 · Series



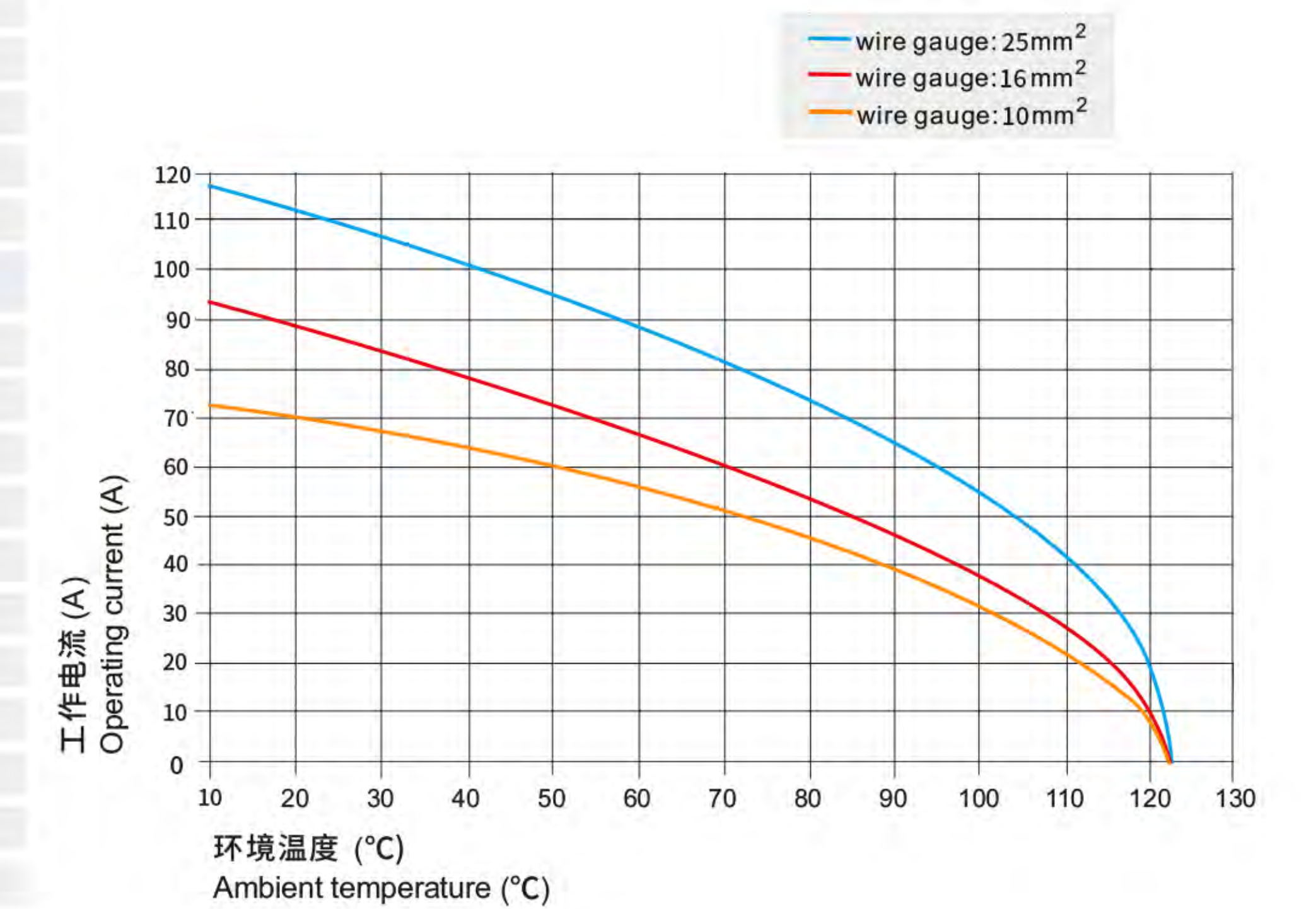
► 技术参数 Technical characteristics

规范 Specifications	DIN EN 60 664 DIN EN 61 984
插芯 Inserts	
依据EN 61 984的额定电压 Electrical data acc.to EN 61 984	
接插件针数 Number of contacts	8/0+PE
电力区 Power area	
• 额定电流 Rated current	100A
• 额定电压 Rated voltage	690V
• 额定脉冲电压 Rated impulse voltage	8KV
• 污染程度 Pollution degree	3
• 当污染程度2时的参数 Pollution degree 2 also	100A 1000V 8KV 2
依据UL/CSA额定电压 Rated voltage acc.to UL CSA	600V
依据UL/CSA额定电流 Rated current acc.to UL CSA	82A
绝缘电阻 Insulation resistance	≥ 10 <sup>10</sup> Ω
材料 Material	聚碳酸酯 Polycarbonate
工作温度范围 Limiting temperatures	-40 °C ~+125 °C
依据UL94阻燃等级 Flammability acc.to UL94	V0
可拔插次数 Mechanical working life-mating cycles	≥ 500
插针 Contacts	
材料 Material	铜合金 Copper alloy
表面处理 Surface	镀银 Hard-silver plated
接触电阻 Contact resistance	≤ 0.5m Ω
轴向螺栓连接 Acial screw terminal	
• mm <sup>2</sup>	10-25mm <sup>2</sup>
• AWG	7-3
• 最大绝缘直径 Max insulation diameter	11.4mm
• 拧紧力矩 Tightening torque	
• mm <sup>2</sup>	10 16 25
• AWG	6 6 7
• 剥线长度 Stripping length	13 <sup>±1</sup> mm

电流负载能力 Current carrying capacity

电流负载能力所受的限制主要来自包含接插针的接插体可承受的最大温度。The current carrying is limited by maximum temperature of materials for Inserts and contacts including terminals.

测试和控制过程依据DIN EN 60512-5。 Measuring and testing techniques according to DIN EN 60512-5.





8/0+PE

螺丝连接 Screw terminal



	公 Male	母 Female
型号Type:	KK-8/0-M	KK-8/0-F

技术数据 Tech data:

额定电流 Rated current:	100A
额定电压 Rated voltage:	690V
导线规格 Wire gauge:	10-25mm <sup>2</sup>
	7-3AWG
上壳&底座 Hoods&Housings:	匹配24B外壳, 请参考P88-89页 Matching 24B Hoods Housing, detail on P88-89

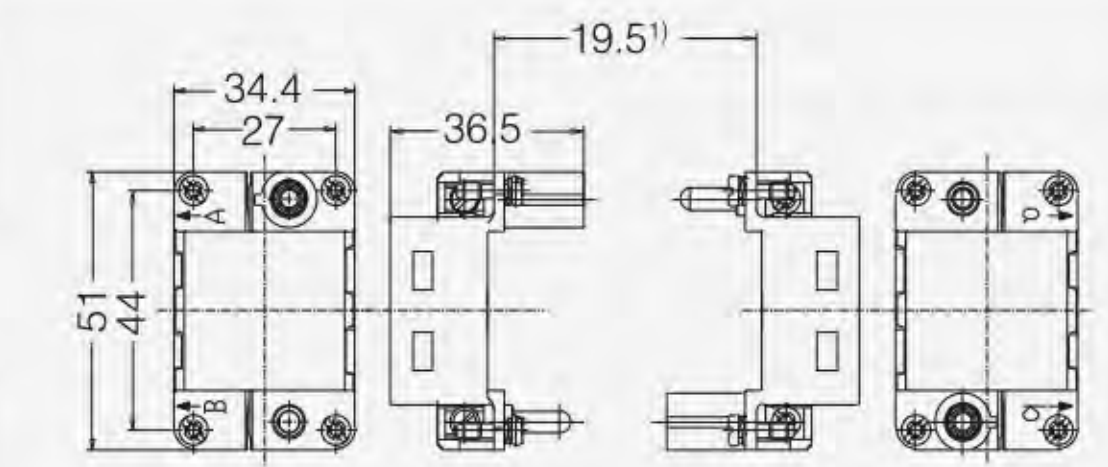
► KM模块框架Hinged Frames

结构框架类型 Construction Frame Version

6B 活动框架 适用所有6B外壳 / 6B frame, size 6B hoods/housings



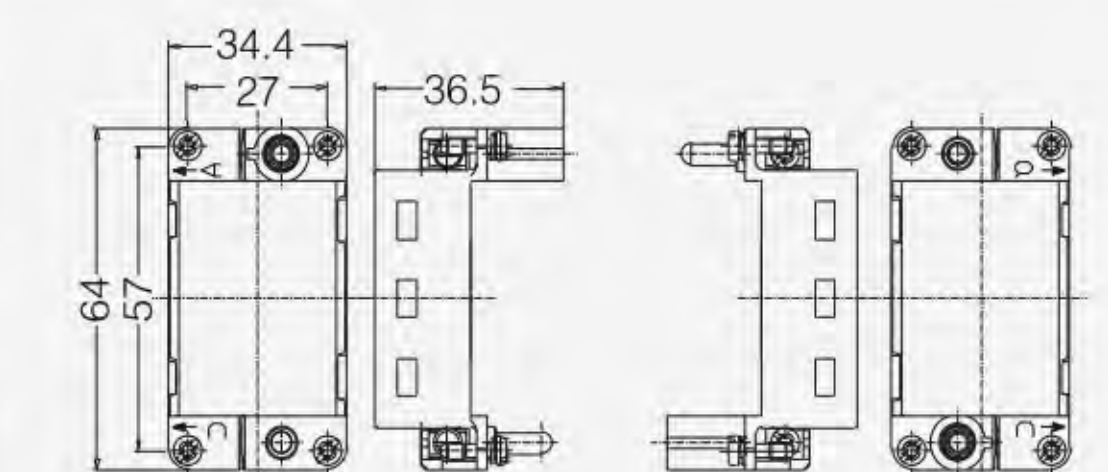
描述 Description	标示Marking	型号 Type
用于2个模块 for 2 modules	A-B	KF6B-UA
用于2个模块 for 2 modules	a-b	KF6B-LA



10B 活动框架 适用所有10B外壳 / 10B frame, size 10B hoods/housings



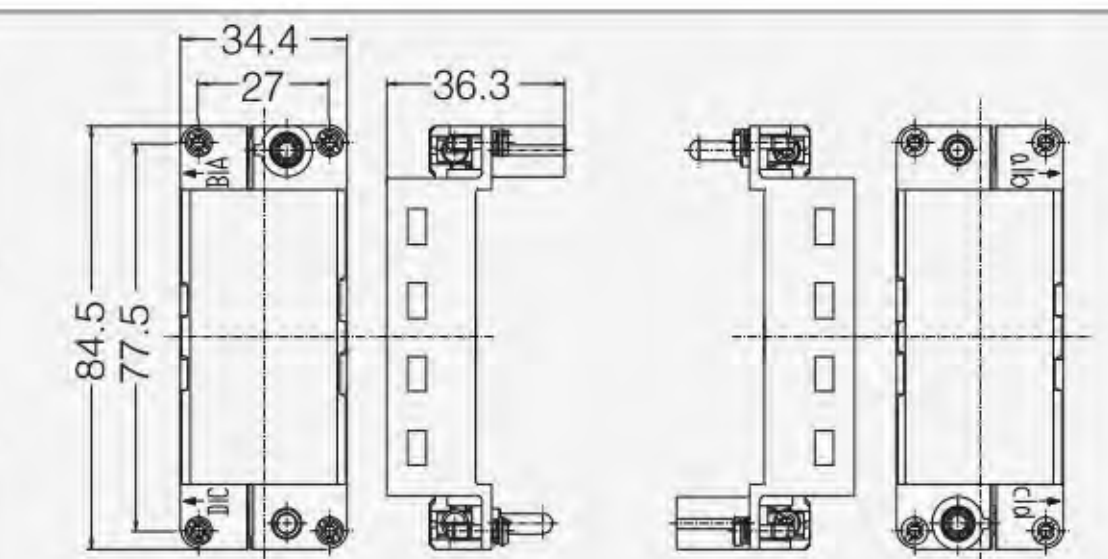
描述 Description	标示Marking	型号 Type
用于3个模块 for 3 modules	A-C	KF10B-UA
用于3个模块 for 3 modules	a-c	KF10B-LA



16B 活动框架 适用所有16B外壳 / 16B frame, size 16B hoods/housings



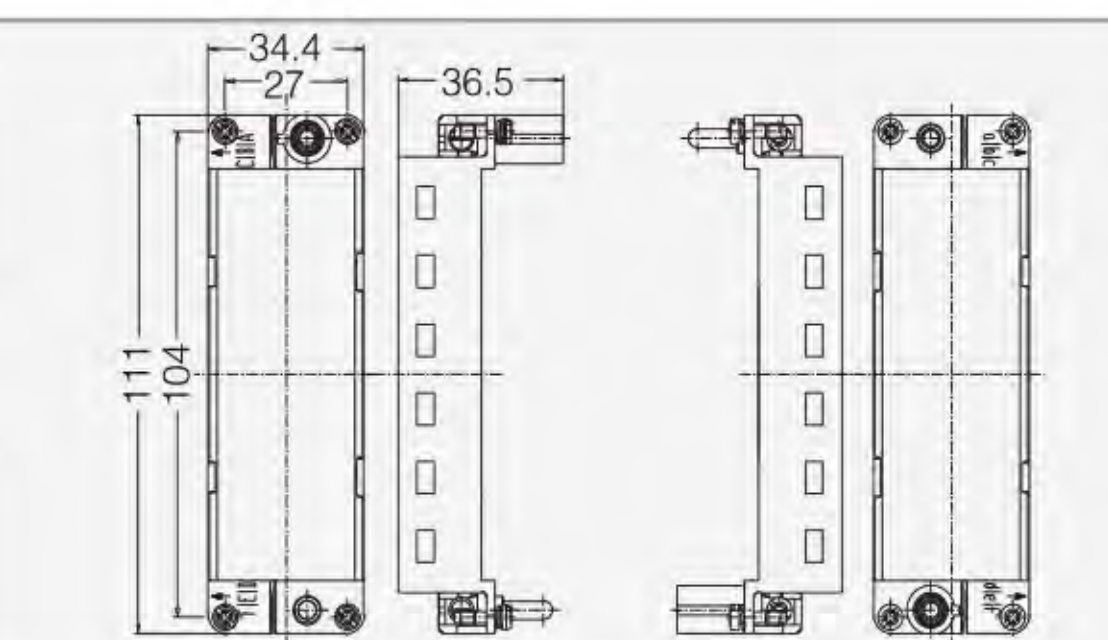
描述 Description	标示Marking	型号 Type
用于4个模块 for 4 modules	A-D	KF16B-UA
用于4个模块 for 4 modules	a-d	KF16B-LA



24B 活动框架 适用所有24B外壳 / 24B frame, size 24B hoods/housings



描述 Description	标示Marking	型号 Type
用于6个模块 for 6 modules	A-F	KF24B-UA
用于6个模块 for 6 modules	a-f	KF24B-LA



空置模块 / Filling module

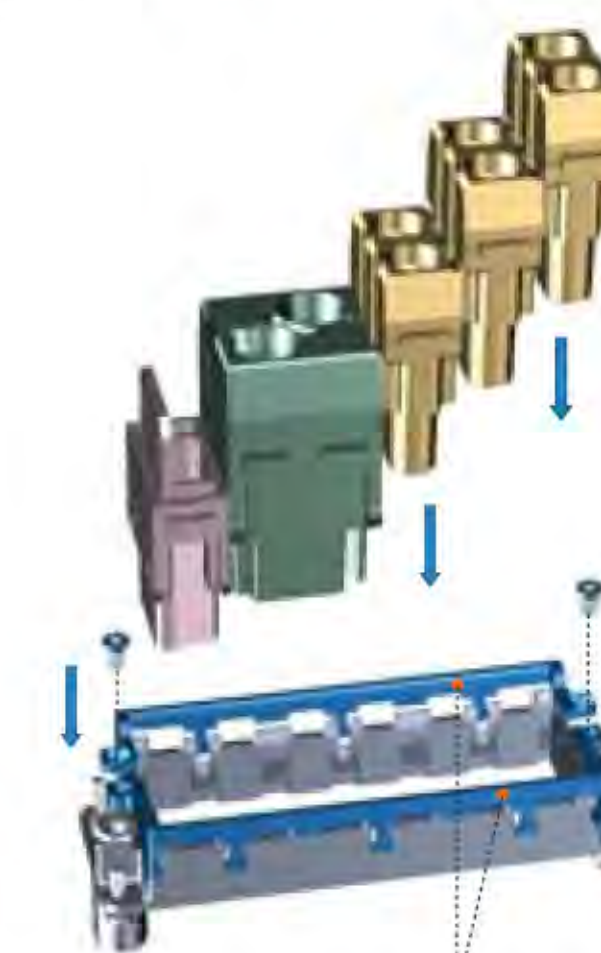


描述 Description	型号 Type
用于填充固定框架内剩余 的模块空间	KM-000

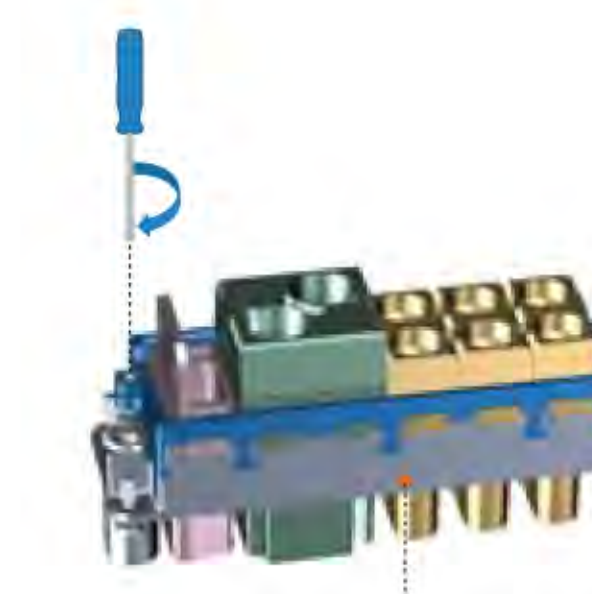
模块拆装示意图Modules Dismounting Instructions

装配示意图 Assembly instructions

拆卸过程反之 Disassembly process is on the contrary.



装配前松开滑动边框  
Loosen sliding border before assembly



装配好模块后, 闭合滑动边框, 锁上螺丝  
After finished assembly, close sliding border, lock screw



► KM章节概要 Summary

模块一览 Module list

	插芯 Insert	200A 轴向压接型模块 200A Axial module
	插针数 Contacts	1
	连接方式 Terminal	轴向螺栓连接 Axial screw terminal
	额定电流 Rated current	200A
	额定电压 Rated voltage	1000V
	线径 Wire gauge	25-70mm <sup>2</sup>

	插芯 Insert	100A 冷压型模块 100A Crimp module
	插针数 Contacts	1
	连接方式 Terminal	冷压连接 Crimp terminal
	额定电流 Rated current	100A
	额定电压 Rated voltage	830V
	线径 Wire gauge	10-35mm <sup>2</sup>

	插芯 Insert	100A 冷压型模块 100A Crimp module
	插针数 Contacts	2
	连接方式 Terminal	冷压连接 Crimp terminal
	额定电流 Rated current	100A
	额定电压 Rated voltage	1000V
	线径 Wire gauge	10-35mm <sup>2</sup>

	插芯 Insert	70A 冷压型模块 70A Crimp module
	插针数 Contacts	2
	连接方式 Terminal	冷压连接 Crimp terminal
	额定电流 Rated current	70A
	额定电压 Rated voltage	1000V
	线径 Wire gauge	10-25mm <sup>2</sup>

	插芯 Insert	40A 冷压型模块 40A Crimp module
	插针数 Contacts	2
	连接方式 Terminal	冷压连接 Crimp terminal
	额定电流 Rated current	40A
	额定电压 Rated voltage	1000V
	线径 Wire gauge	1.5-10mm <sup>2</sup>

	插芯 Insert	40A 冷压型模块 40A Crimp module
	插针数 Contacts	3
	连接方式 Terminal	冷压连接 Crimp terminal
	额定电流 Rated current	40A
	额定电压 Rated voltage	500V
	线径 Wire gauge	1.5-10mm <sup>2</sup>

	插芯 Insert	200A 冷压型模块 200A Crimp module
	插针数 Contacts	1
	连接方式 Terminal	冷压连接 Crimp terminal
	额定电流 Rated current	200A
	额定电压 Rated voltage	1000V
	线径 Wire gauge	25-70mm <sup>2</sup>

	插芯 Insert	100A 轴向压接型模块 100A Axial module
	插针数 Contacts	2
	连接方式 Terminal	轴向螺栓连接 Axial screw terminal
	额定电流 Rated current	100A
	额定电压 Rated voltage	1000V
	线径 Wire gauge	10-35mm <sup>2</sup>

	插芯 Insert	70A 冷压型模块 70A Axial module
	插针数 Contacts	2
	连接方式 Terminal	轴向螺栓连接 Axial screw terminal
	额定电流 Rated current	70A
	额定电压 Rated voltage	1000V
	线径 Wire gauge	6-22mm <sup>2</sup>

	插芯 Insert	40A 轴向压接型模块 40A Axial module
	插针数 Contacts	2
	连接方式 Terminal	轴向螺栓连接 Axial screw terminal
	额定电流 Rated current	40A
	额定电压 Rated voltage	1000V
	线径 Wire gauge	2.5-10mm <sup>2</sup>

	插芯 Insert	40A 轴向压接型模块 40A Axial module
	插针数 Contacts	3
	连接方式 Terminal	轴向螺栓连接 Axial screw terminal
	额定电流 Rated current	40A
	额定电压 Rated voltage	690V
	线径 Wire gauge	2.5-10mm <sup>2</sup>

	插芯 Insert	40/10A 冷压型模块 40/10A Crimp module
	插针数 Contacts	3/4
	连接方式 Terminal	冷压连接 Crimp terminal
	额定电流 Rated current	40A/10A
	额定电压 Rated voltage	830V
	线径 Wire gauge	1.5-6mm <sup>2</sup> /0.37-2.5mm <sup>2</sup>

► KM章节概要 Summary

结构框架类型 Construction Frame Version

	插芯 Insert	40A 冷压型模块 40A Crimp module
	插针数 Contacts	4
	连接方式 Terminal	冷压连接 Crimp terminal
	额定电流 Rated current	40A
	额定电压 Rated voltage	830V
	线径 Wire gauge	1.5-6mm <sup>2</sup>

	插芯 Insert	16A 冷压型模块 16A Crimp module
	插针数 Contacts	6
	连接方式 Terminal	冷压连接 Crimp terminal
	额定电流 Rated current	16A
	额定电压 Rated voltage	500V
	线径 Wire gauge	0.14-4mm <sup>2</sup>

	插芯 Insert	16A 冷压型模块 16A Crimp module
	插针数 Contacts	8
	连接方式 Terminal	冷压连接 Crimp terminal
	额定电流 Rated current	16A
	额定电压 Rated voltage	400V
	线径 Wire gauge	0.14-4mm <sup>2</sup>

	插芯 Insert	10A 冷压型模块 10A Crimp module
	插针数 Contacts	12
	连接方式 Terminal	冷压连接 Crimp terminal
	额定电流 Rated current	10A
	额定电压 Rated voltage	250V
	线径 Wire gauge	0.14-2.5mm <sup>2</sup>

	插芯 Insert	5A D-Sub模块 5A D-Sub module
	插针数 Contacts	9
	连接方式 Terminal	冷压连接 Crimp terminal
	额定电流 Rated current	5A
	额定电压 Rated voltage	50V
	线径 Wire gauge	0.09-0.82mm <sup>2</sup>

	插芯 Insert	1A RJ45模块 1A RJ45 module
	插针数 Contacts	8
	连接方式 Terminal	用于接电缆 Module for patch cable
	额定电流 Rated current	1A
	额定电压 Rated voltage	50V
	线径 Wire gauge	

	插芯 Insert	16A 弹片型模块 16A Cage-clamp module
	插针数 Contacts	5
	连接方式 Terminal	笼式弹片连接 Cage clamp terminal
	额定电流 Rated current	16A
	额定电压 Rated voltage	400V
	线径 Wire gauge	0.14-2.5mm <sup>2</sup>

	插芯 Insert	16A 防护型模块 16A Protected module
	插针数 Contacts	6
	连接方式 Terminal	冷压连接 Crimp terminal
	额定电流 Rated current	16A
	额定电压 Rated voltage	830V
	线径 Wire gauge	0.14-4mm <sup>2</sup>

	插芯 Insert	16A 冷压型模块 16A Crimp module
	插针数 Contacts	20
	连接方式 Terminal	冷压连接 Crimp terminal
	额定电流 Rated current	16A
	额定电压 Rated voltage	500V
	线径 Wire gauge	0.14-4mm <sup>2</sup>

	插芯 Insert	10A 冷压型模块 10A Crimp module
	插针数 Contacts	17
	连接方式 Terminal	冷压连接 Crimp terminal
	额定电流 Rated current	10A
	额定电压 Rated voltage	160V
	线径 Wire gauge	0.14-2.5mm <sup>2</sup>

	插芯 Insert	4A 高密度型模块 4A High Density module
	插针数 Contacts	25
	连接方式 Terminal	冷压连接 Crimp terminal
	额定电流 Rated current	4A
	额定电压 Rated voltage	50V
	线径 Wire gauge	0.09-0.52mm <sup>2</sup>

气动模块 Pneumatic module	
2	3
Φ6 mm	Φ1.6 mm Φ3.0 mm Φ4.0 mm



► K2MK-001 轴向压接模块 Axial Module 1000V 200A

插芯 Inserts

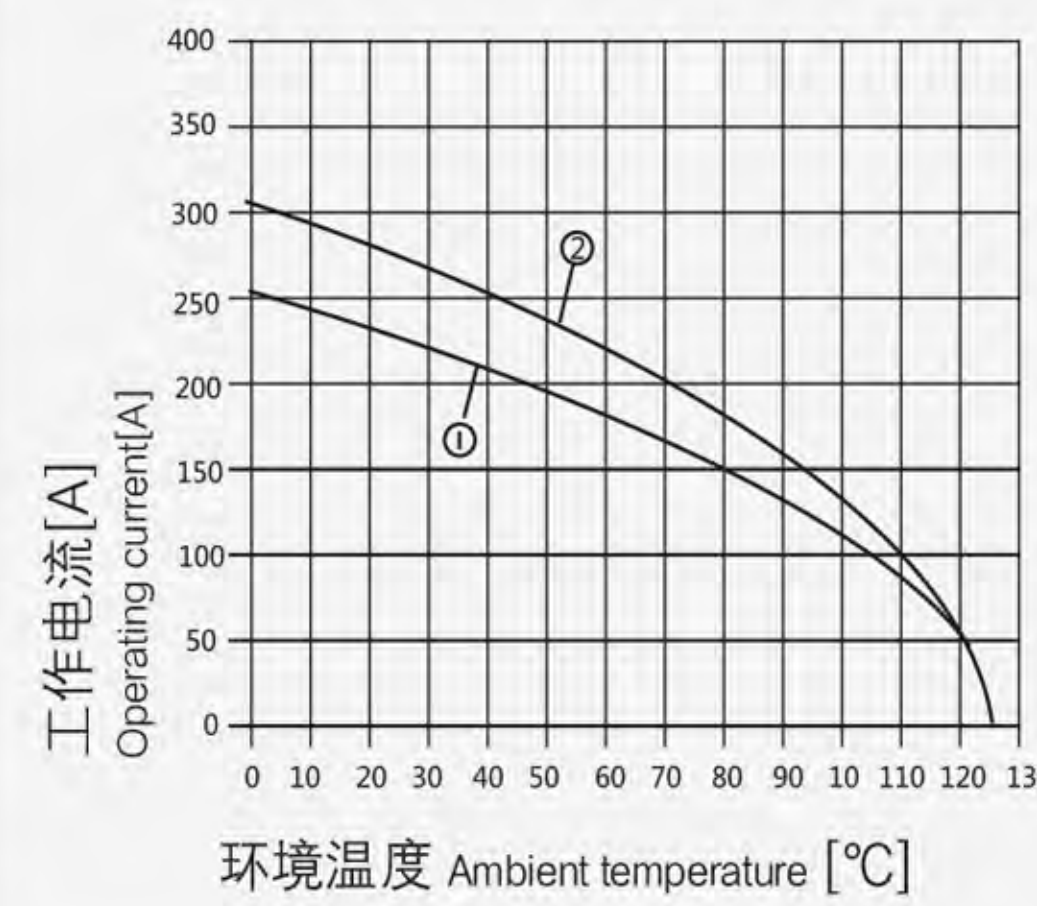
 可与框架及其他所有模块产品组合使用  
Combination with hinged frame and other modules possible.

技术参数 Technical Characteristics

规范	Specifications	
规范	Specifications	DIN EN 60 664 DIN EN 61 984
插芯	Inserts	
接插件针数	Number Of Contacts	1
依据 EN 61 984 的电气数据	Electrical Data Acc. To EN 61 984	
-额定电流	-Rated Current	200A
-额定电压	-Rated Voltage	1000V
-额定脉冲电压	-Rated Impulse Voltage	8kV
-污染程度	-Pollution Degree	3
依据UL/CSA额定电压	Rated Voltage Acc.to UI CSA	600V
绝缘电阻	Insulation Resistance	≥ 10 <sup>10</sup> Ω
材料	Material	聚碳酸酯 Polycarbonate
工作温度范围	Limiting Temperatures	-40°C...+125°C
依据UL 94的阻燃等级	Flammability Acc. To UI94	V0
可拔插次数	Mechanical Working Life-mating Cycles	≥ 500
插针	Contacts	
材料	Material	铜合金 Copper Alloy
表面处理	Surface	镀银 Hard-silver Plated
接触电阻	Contact Resistance	0.2m Ω
电缆绞线依据IEC 60 228-5	To IEC 60 228 Class 5	
轴向螺栓连接	Axial Screw Terminal	
- mm <sup>2</sup>	-mm <sup>2</sup>	25-70mm <sup>2</sup>
- AWG	-AWG	2-10
- 内六角扳手	-Hexagonal Driver	SW 5
- 剥线长度	-Stripping length	16mm
- 拧紧力矩	-Tightening Torque	
- mm <sup>2</sup>	- mm <sup>2</sup>	25 35 50 70
- Nm	- Nm	8 8 9 10

电流负载能力 Current Carrying Capacity

电流负载能力所受的限制主要来自包含接插针的接插体可承受的最大温度  
测试和控制过程依据 DIN EN 60512-5  
The current carrying is limited by maximum temperature of materials for Inserts and contacts including terminals.  
Measuring and testing techniques according to DINEN 60512-5

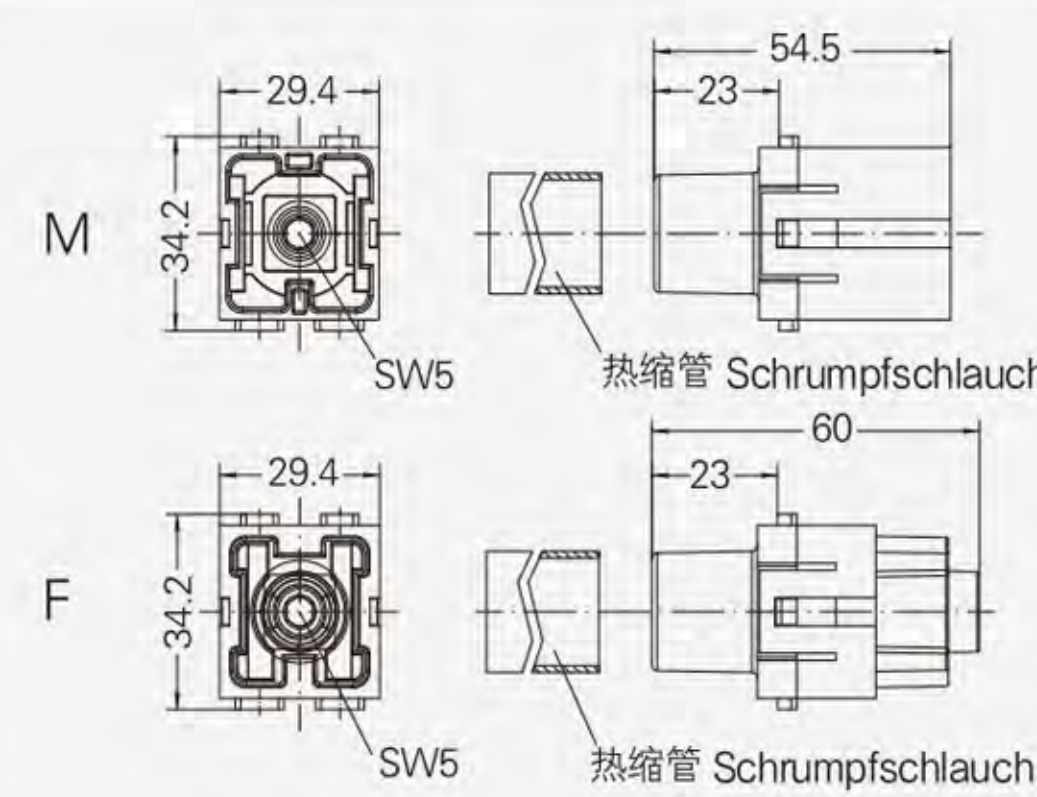


- ① 24B外壳带3个模块, 导线截面: 50mm<sup>2</sup>
- ② 24B外壳带3个模块, 导线截面: 70mm<sup>2</sup>
- ① 24 B hoods/housings with 3 modules, wire gauge:50mm<sup>2</sup>
- ② 24 B hoods/housings with 3 modules, wire gauge:70mm<sup>2</sup>

轴向螺栓连接 Axial Screw Terminal



插芯 Inserts	型号 Type
公 Male	K2MK-001.1-M(25-40mm <sup>2</sup> ) K2MK-001.2-M(40-70mm <sup>2</sup> )
母 Female	K2MK-001.1-F(25-40mm <sup>2</sup> ) K2MK-001.2-F(40-70mm <sup>2</sup> )




附件 Accessories

工具 Tools

内六角扳手 Hexagonal driver	描述 Description	型号 Type
	用于轴向夹紧螺栓 带T型把手 For Axial Setscrew With Grip	SW-5x150

► K2MK-001 冷压型模块 Crimp Module 1000V 200A

插芯 Inserts

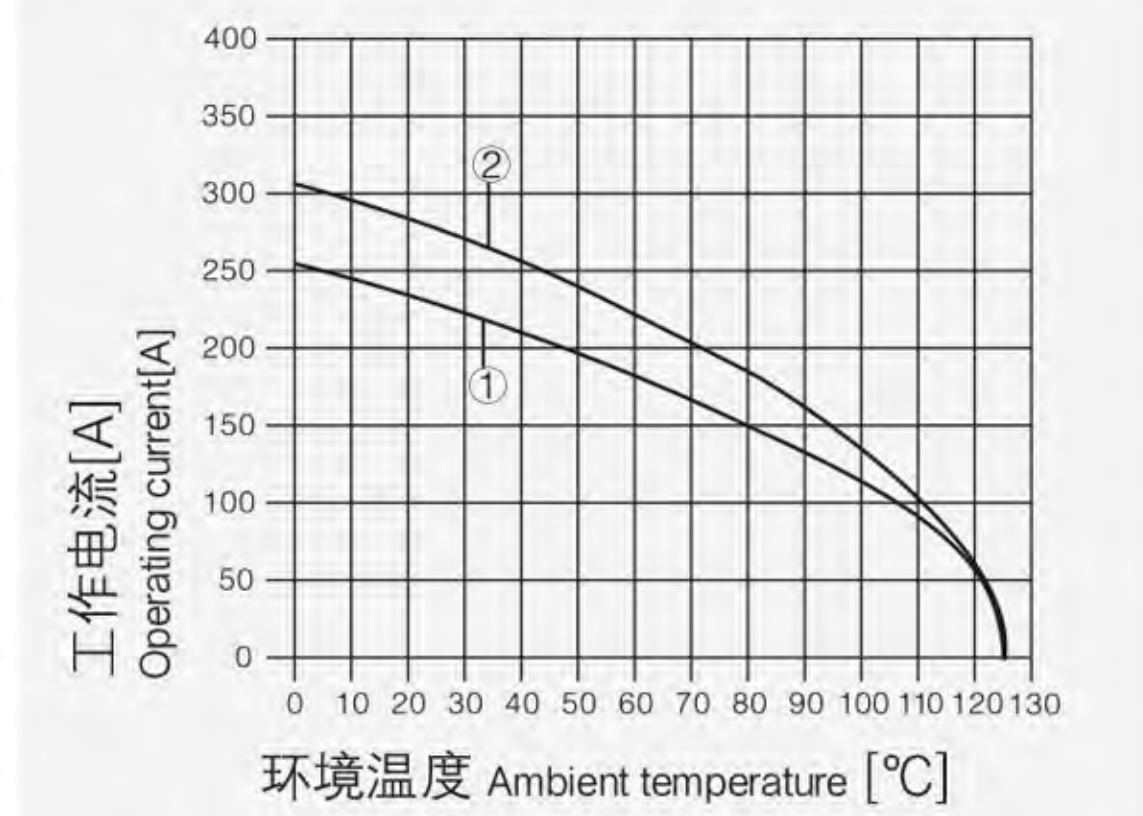
 可与框架及其他所有模块产品组合使用  
Combination with hinged frame and other modules possible.

技术参数 Technical Characteristics

规范	Specifications	
规范	Specifications	DIN EN 60 664 DIN EN 61 984
插芯	Inserts	
接插件针数	Number Of Contacts	1
依据 EN 61 984 的电气数据	Electrical Data Acc. To EN 61 984	
-额定电流	-Rated Current	200A
-额定电压	-Rated Voltage	1000V
-额定脉冲电压	-Rated Impulse Voltage	8kV
-污染程度	-Pollution Degree	3
绝缘电阻	Insulation Resistance	≥ 10 <sup>10</sup> Ω
材料	Material	聚碳酸酯 Polycarbonate
工作温度范围	Limiting Temperatures	-40°C...+125°C
依据UL 94的阻燃等级	Flammability Acc. To UI94	V0
可拔插次数	Mechanical Working Life-mating Cycles	≥ 500
插针	Contacts	
材料	Material	铜合金 Copper Alloy
表面处理	Surface	镀银 Hard-silver Plated
接触电阻	Contact Resistance	≤ 0.3m Ω
冷压连接	Crimp Terminal	
- mm <sup>2</sup>	- mm <sup>2</sup>	25-70mm <sup>2</sup>
剥线长度	Stripping length	22.5mm
最大电缆直径	Max. insulation diameter	18mm

电流负载能力 Current Carrying Capacity

电流负载能力所受的限制主要来自包含接插针的接插体可承受的最大温度  
测试和控制过程依据 DIN EN 60512-5  
The current carrying is limited by maximum temperature of materials for Inserts and contacts including terminals.  
Measuring and testing techniques according to DINEN 60512-5

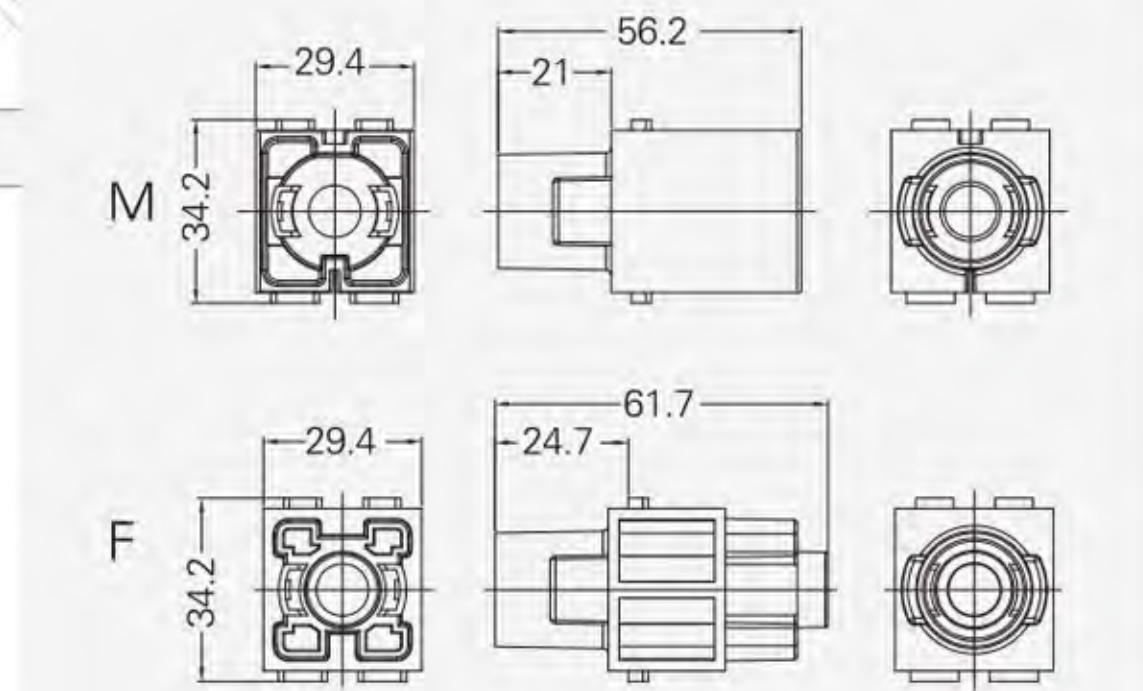


- ① 24B外壳带3个模块, 导线截面: 50mm<sup>2</sup>
- ② 24B外壳带3个模块, 导线截面: 70mm<sup>2</sup>
- ① 24 B hoods/housings with 3 modules, wire gauge:50mm<sup>2</sup>
- ② 24 B hoods/housings with 3 modules, wire gauge:70mm<sup>2</sup>

冷压连接 Crimp Terminal



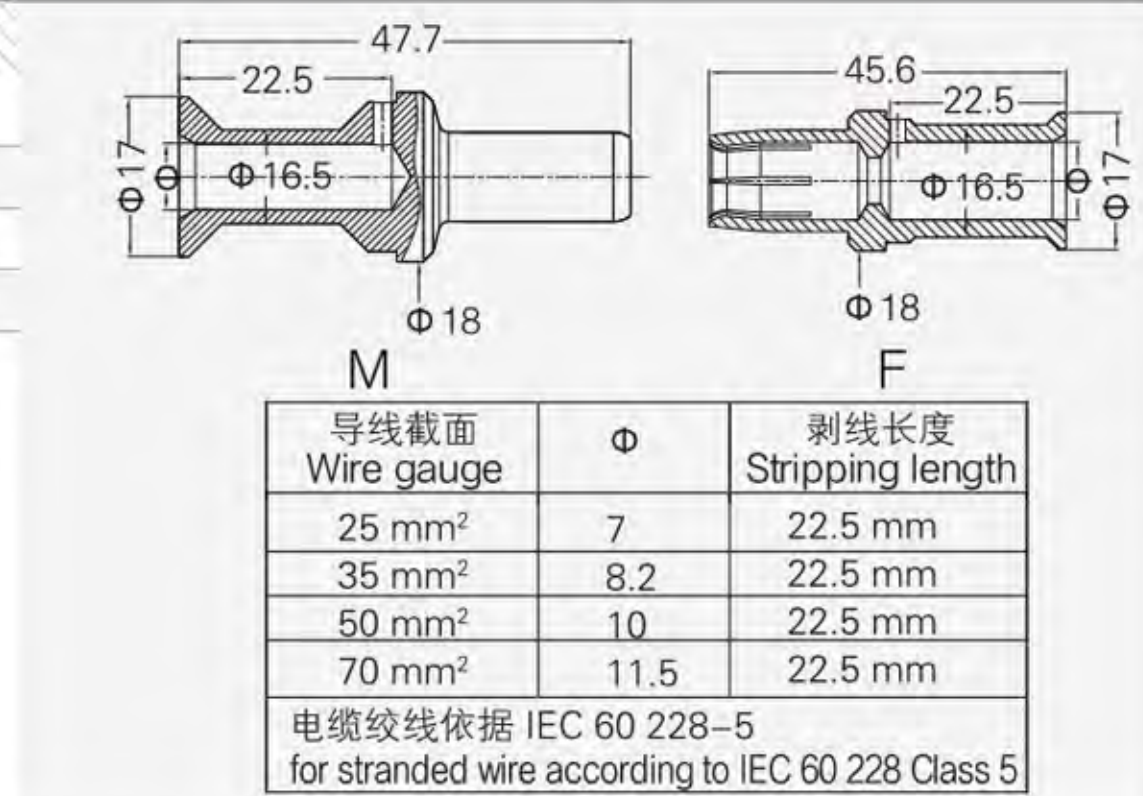
插芯 Inserts	型号 Type
公 Male	K2MK-001-MC
母 Female	K2MK-001-FC




附件 Accessories

200A 冷压针 Crimp contacts

接触电阻 ≤ 0.3 m Ω Contact resistance ≤ 0.3 m Ω 镀银 silver plated	公 Male	母 Female
	KF-200A-SM-25	KF-200A-SF-25
	KF-200A-SM-35	KF-200A-SF-35
	KF-200A-SM-50	KF-200A-SF-50
	KF-200A-SM-70	KF-200A-SF-70



工具 Tools

液压钳 Manual hydraulic clamp	压接线径 Wire gauge	型号 Type
	10-240mm <sup>2</sup>	TL05



► KMK-001 冷压型模块 Crimp Module 830V 100A

插芯 Inserts

 可与框架及其他所有模块产品组合使用  
Combination with hinged frame and other modules possible.

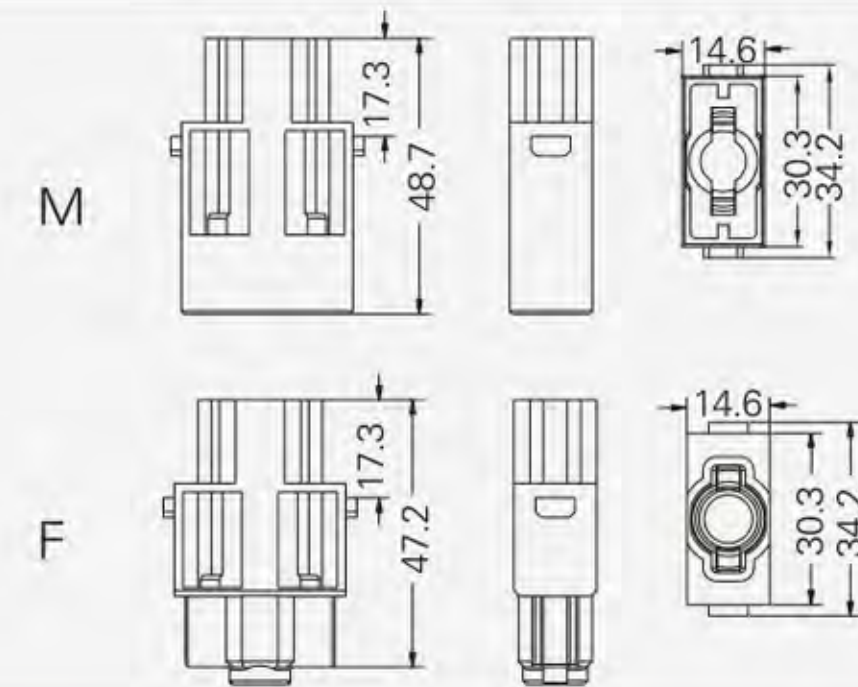
技术参数 Technical Characteristics

规范	Specifications	
规范	Specifications	DIN EN 60 664
		DIN EN 61 984
插芯	Inserts	
接插件针数	Number Of Contacts	1
依据 EN 61 984 的电气数据	Electrical Data Acc. To EN 61 984	
-额定电流	-Rated Current	100A
-额定电压	-Rated Voltage	830V
-额定脉冲电压	-Rated Impulse Voltage	8kV
-污染程度	-Pollution Degree	3
绝缘电阻	Insulation Resistance	≥ 10 <sup>10</sup> Ω
材料	Material	聚碳酸酯 Polycarbonate
工作温度范围	Limiting Temperatures	-40°C...+125°C
依据UL 94的阻燃等级	Flammability Acc. To UI94	V0
可拔插次数	Mechanical Working Life-mating Cycles	≥500
最大电缆直径	Max. insulation diameter	13mm
插针	Contacts	
材料	Material	铜合金 Copper Alloy
表面处理	Surface	镀银 Hard-silver Plated
接触电阻	Contact Resistance	≤0.3mΩ
冷压连接	Crimp Terminal	
- mm <sup>2</sup>	- mm <sup>2</sup>	10-35mm <sup>2</sup>

冷压连接 Crimp Terminal



插芯 Inserts	型号 Type
公 Male	KMK-001-MC
母 Female	KMK-001-FC



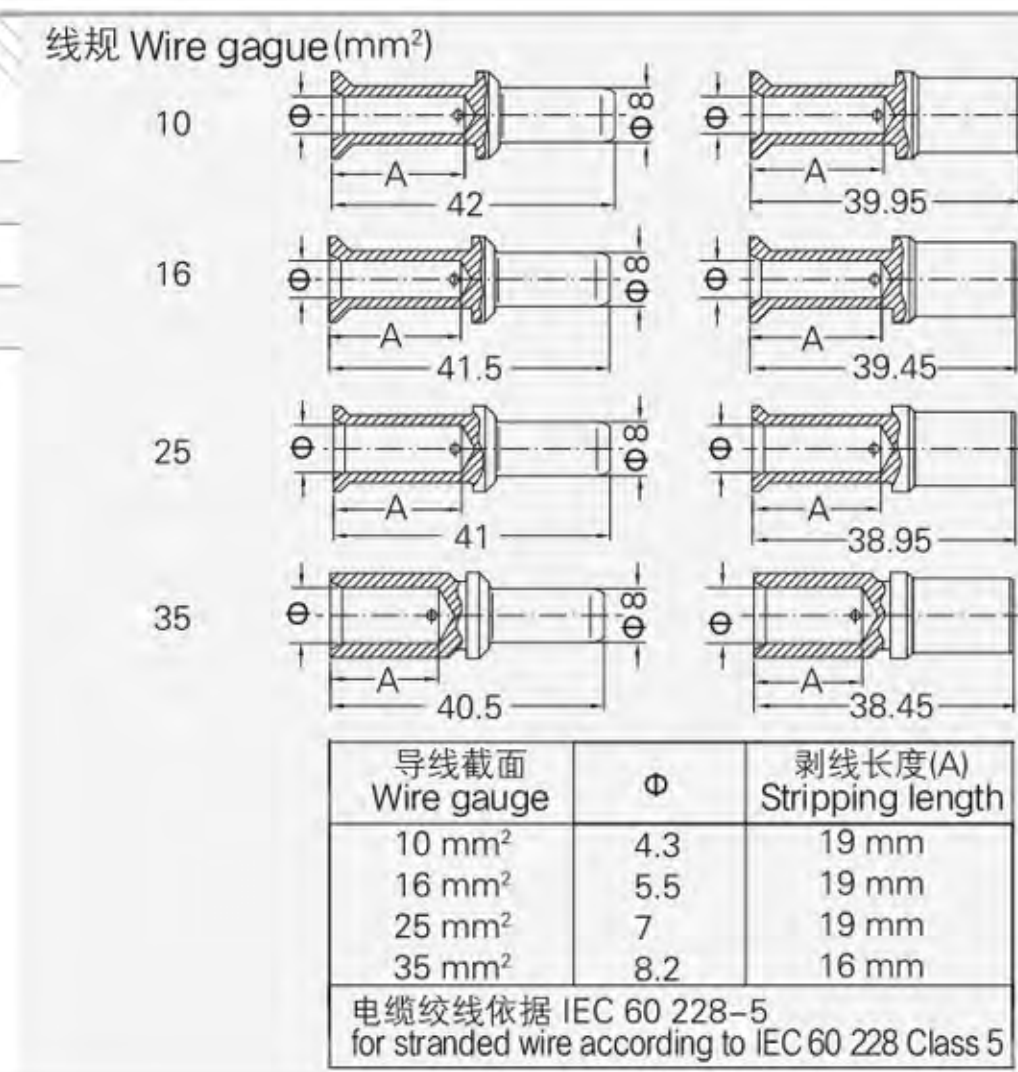
附件 Accessories

100A 冷压针 Crimp contacts

接触电阻 ≤ 0.3 mΩ  
Contact resistance ≤ 0.3 mΩ  
镀银 silver plated



	公 Male	母 Female
	KF-100A-SM-10	KF-100A-SF-10G
	KF-100A-SM-16	KF-100A-SF-16G
	KF-100A-SM-25	KF-100A-SF-25G
	KF-100A-SM-35	KF-100A-SF-35G



工具 Tools

液压钳  
Manual hydraulic clamp



压接线径 Wire gauge	型号 Type
10-240mm <sup>2</sup>	TL05

退针器  
Removal tool



适用类型 For	型号 Type
100A 冷压针 Crimp contacts	TL11

► K2MK-002 轴向压接型模块 Axial Module 1000V 100A

插芯 Inserts

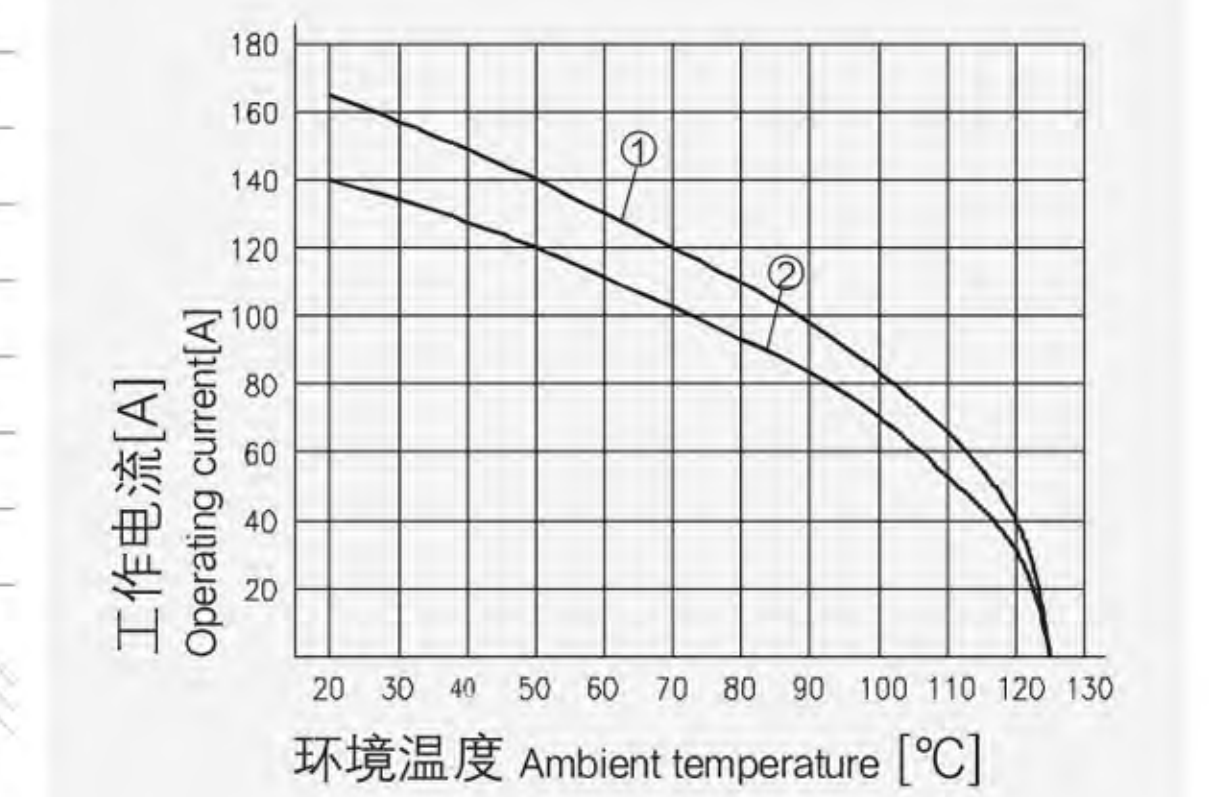
 可与框架及其他所有模块产品组合使用  
Combination with hinged frame and other modules possible.

技术参数 Technical Characteristics

规范	Specifications	
规范	Specifications	DIN EN 60 664
		DIN EN 61 984
插芯	Inserts	
接插件针数	Number Of Contacts	2
依据 EN 61 984 的电气数据	Electrical Data Acc. To EN 61 984	
-额定电流	-Rated Current	100A
-额定电压	-Rated Voltage	1000V
-额定脉冲电压	-Rated Impulse Voltage	8kV
-污染程度	-Pollution Degree	3
依据UL的额定电压	Rated Voltage Acc.to UI	600V
绝缘电阻	Insulation Resistance	≥ 10 <sup>10</sup> Ω
材料	Material	聚碳酸酯 Polycarbonate
工作温度范围	Limiting Temperatures	-40°C...+125°C
依据UL 94的阻燃等级	Flammability Acc. To UI94	V0
可拔插次数	Mechanical Working Life-mating Cycles	≥500
插针	Contacts	
材料	Material	铜合金 Copper Alloy
表面处理	Surface	镀银 Hard-silver Plated
接触电阻	Contact Resistance	0.3mΩ
电镀锌线依据IEC 60 228-5	To IEC 60 228 Class 5	
轴向螺栓连接	Axial Screw Terminal	
- mm <sup>2</sup>	-mm <sup>2</sup>	10-38mm <sup>2</sup>
- AWG	-AWG	6-2
- 内六角扳手	-Hexagonal Driver	SW 4
- 剥线长度	-Stripping length	13mm
- 拧紧力矩	-Tightening Torque	
- mm <sup>2</sup>	- mm <sup>2</sup>	10 16 25 35
- Nm	- Nm	6 6 7 8

电流负载能力 Current Carrying Capacity

电流负载能力所受的限制主要来自包含接插针的接插体可承受的最大温度  
测试和控制过程依据 DIN EN 60512-5  
The current carrying is limited by maximum temperature of materials for Inserts and contacts including terminals.  
Measuring and testing techniques according to DINEN 60512-5

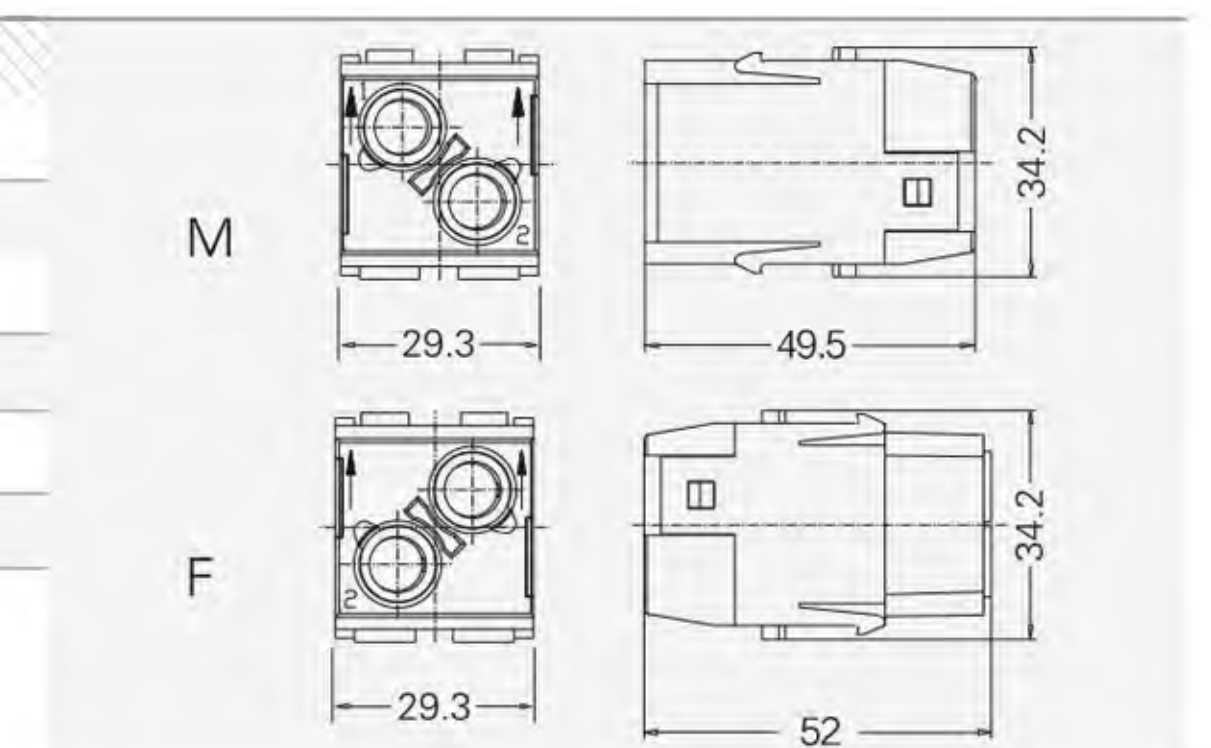


- ① 24B外壳带3个模块，导线截面：35mm<sup>2</sup>
- ② 24B外壳带3个模块，导线截面：25mm<sup>2</sup>
- ① 24 B hoods/housings with 3 modules, wire gauge:35mm<sup>2</sup>
- ② 24 B hoods/housings with 3 modules, wire gauge:25mm<sup>2</sup>

轴向螺栓连接 Axial Screw Terminal



插芯 Inserts	型号 Type
公 Male	K2MK-002.1-M(10-25mm <sup>2</sup> ) K2MK-002.2-M(16-35mm <sup>2</sup> )
母 Female	K2MK-002.1-F(10-25mm <sup>2</sup> ) K2MK-002.2-F(16-35mm <sup>2</sup> )



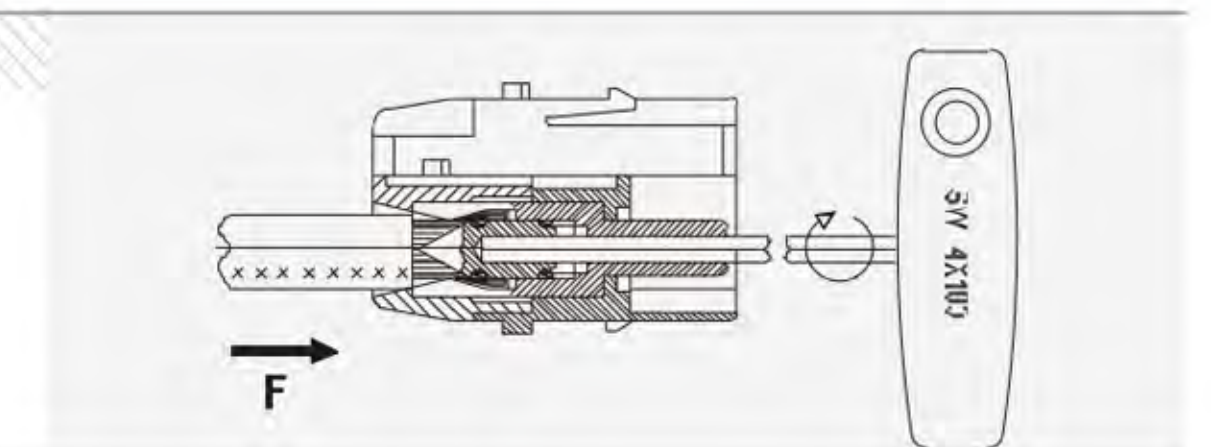
附件 Accessories

工具 Tools

内六角扳手  
Hexagonal driver



描述 Description	型号 Type
用于轴向夹紧螺栓 带T型把手 For Axial Setscrew With Grip	SW-4x100





► K2MK-002 冷压型模块 Crimp Module 1000V 100A

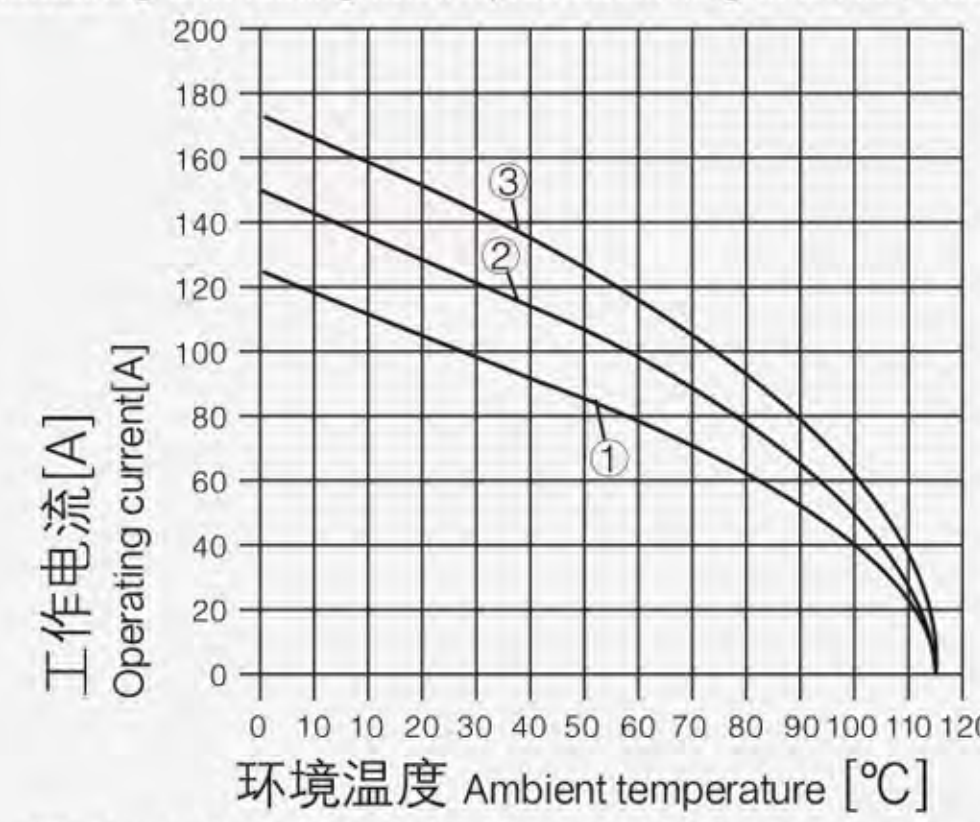
插芯 Inserts

 可与框架及其他所有模块产品组合使用  
Combination with hinged frame and other modules possible.

技术参数 Technical Characteristics

规范	Specifications	
规范	Specifications	DIN EN 60 664 DIN EN 61 984
插芯	Inserts	
接插件针数	Number Of Contacts	2
依据 EN 61 984 的电气数据	Electrical Data Acc. To EN 61 984	
-额定电流	-Rated Current	100A
-额定电压	-Rated Voltage	1000V
-额定脉冲电压	-Rated Impulse Voltage	8kV
-污染程度	-Pollution Degree	3
绝缘电阻	Insulation Resistance	≥ 10 <sup>10</sup> Ω
材料	Material	聚碳酸酯 Polycarbonate
工作温度范围	Limiting Temperatures	-40°C...+125°C
依据UL 94的阻燃等级	Flammability Acc. To UI94	V0
可拔插次数	Mechanical Working Life-mating Cycles	≥ 500
插针	Contacts	
材料	Material	铜合金 Copper Alloy
表面处理	Surface	镀银 Hard-silver Plated
接触电阻	Contact Resistance	≤ 0.3m Ω
冷压连接	Crimp Terminal	
- mm <sup>2</sup>	- mm <sup>2</sup>	10-35mm <sup>2</sup>
最大电缆直径	Max. insulation diameter	14mm

**电流负载能力 Current Carrying Capacity**  
电流负载能力所受的限制主要来自包含接插针的接插体可承受的最大温度  
测试和控制过程依据 DIN EN 60512-5  
The current carrying is limited by maximum temperature of materials for inserts and contacts including terminals.  
Measuring and testing techniques according to DIN EN 60512-5

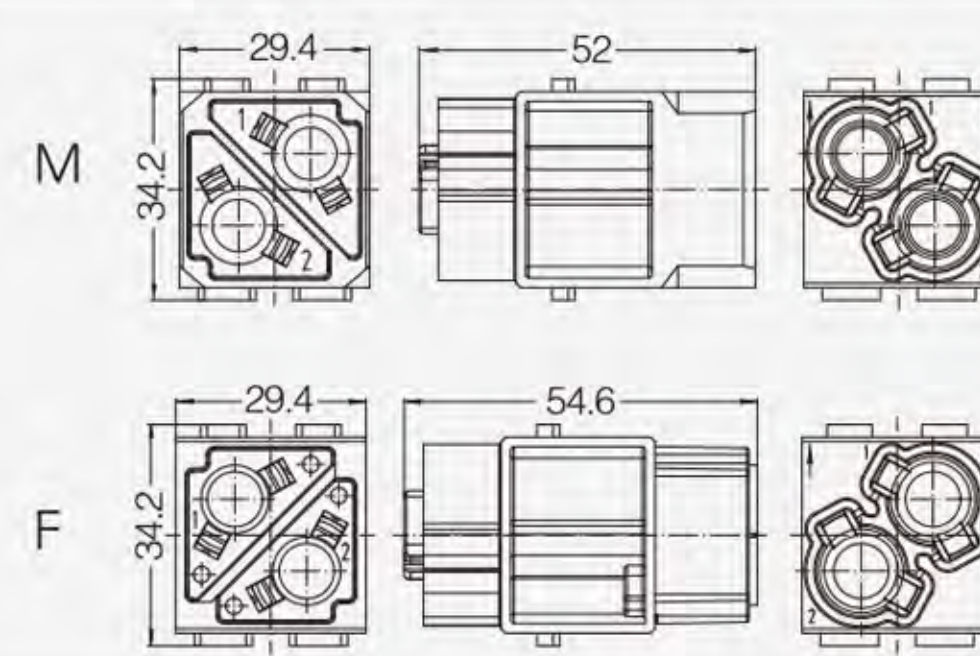


- ① 24B外壳带3个模块, 导线截面: 16mm<sup>2</sup>
- ② 24B外壳带3个模块, 导线截面: 25mm<sup>2</sup>
- ③ 24B外壳带3个模块, 导线截面: 35mm<sup>2</sup>
- ① 24 B hoods/housings with 3 modules, wire gauge:16mm<sup>2</sup>
- ② 24 B hoods/housings with 3 modules, wire gauge:25mm<sup>2</sup>
- ③ 24 B hoods/housings with 3 modules, wire gauge:35mm<sup>2</sup>

冷压连接 Crimp Terminal



插芯 Inserts	型号 Type
公 Male	K2MK-002-MC
母 Female	K2MK-002-FC



附件 Accessories

100A 冷压针 Crimp contacts

接触电阻 ≤ 0.3 m Ω  
Contact resistance ≤ 0.3 m Ω  
镀银 silver plated



公 Male	母 Female
KF-100A-SM-10	KF-100A-SF-10G
KF-100A-SM-16	KF-100A-SF-16G
KF-100A-SM-25	KF-100A-SF-25G
KF-100A-SM-35	KF-100A-SF-35G




工具 Tools

液压钳 Manual hydraulic clamp	压接线径 Wire gauge	型号 Type
	10-240mm <sup>2</sup>	TL05
退针器 Removal tool	适用类型 For	型号 Type
	100A 冷压针 Crimp contacts	TL07

► KMK70-002 轴向压接型模块 Axial Module 1000V 70A

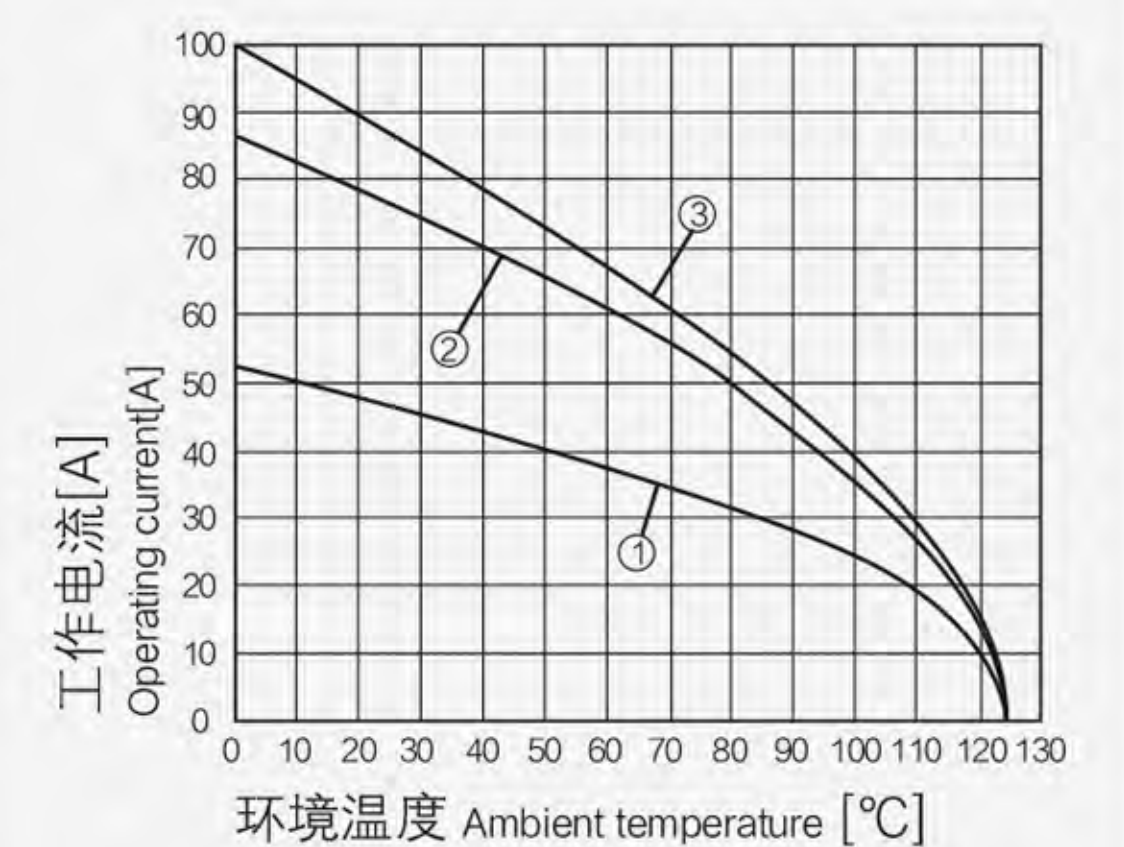
插芯 Inserts

 可与框架及其他所有模块产品组合使用  
Combination with hinged frame and other modules possible.

技术参数 Technical Characteristics

规范	Specifications	
规范	Specifications	DIN EN 60 664 DIN EN 61 984
插芯	Inserts	
接插件针数	Number Of Contacts	2
依据 EN 61 984 的电气数据	Electrical Data Acc. To EN 61 984	
-额定电流	-Rated Current	70A
-额定电压	-Rated Voltage	1000V
-额定脉冲电压	-Rated Impulse Voltage	8kV
-污染程度	-Pollution Degree	3
依据UL 94的额定电压	Rated Voltage Acc.to UI	600V
绝缘电阻	Insulation Resistance	≥ 10 <sup>10</sup> Ω
材料	Material	聚碳酸酯 Polycarbonate
工作温度范围	Limiting Temperatures	-40°C...+125°C
依据UL 94的阻燃等级	Flammability Acc. To UI94	V0
可拔插次数	Mechanical Working Life-mating Cycles	≥ 500
插针	Contacts	
材料	Material	铜合金 Copper Alloy
表面处理	Surface	镀银 Hard-silver Plated
接触电阻	Contact Resistance	0.5m Ω
电绞线依据IEC 60 228-5	To IEC 60 228 Class 5	
轴向螺栓连接	Axial Screw Terminal	
- mm <sup>2</sup>	-mm <sup>2</sup>	6-22mm <sup>2</sup>
- AWG	-AWG	8-4
- 内六角扳手	-Hexagonal Driver	SW 2.5
- 剥线长度	-Stripping length	
- mm <sup>2</sup>	- mm <sup>2</sup>	6 10 16 22
- mm	- mm	11 <sup>+</sup> 11 <sup>+</sup> 11 <sup>+</sup> 12.5 <sup>+</sup>
- 拧紧力矩	-Tightening Torque	
- mm <sup>2</sup>	- mm <sup>2</sup>	6 10 16 22
- Nm	- Nm	2 3 4 5

**电流负载能力 Current Carrying Capacity**  
电流负载能力所受的限制主要来自包含接插针的接插体可承受的最大温度  
测试和控制过程依据 DIN EN 60512-5  
The current carrying is limited by maximum temperature of materials for inserts and contacts including terminals.  
Measuring and testing techniques according to DIN EN 60512-5

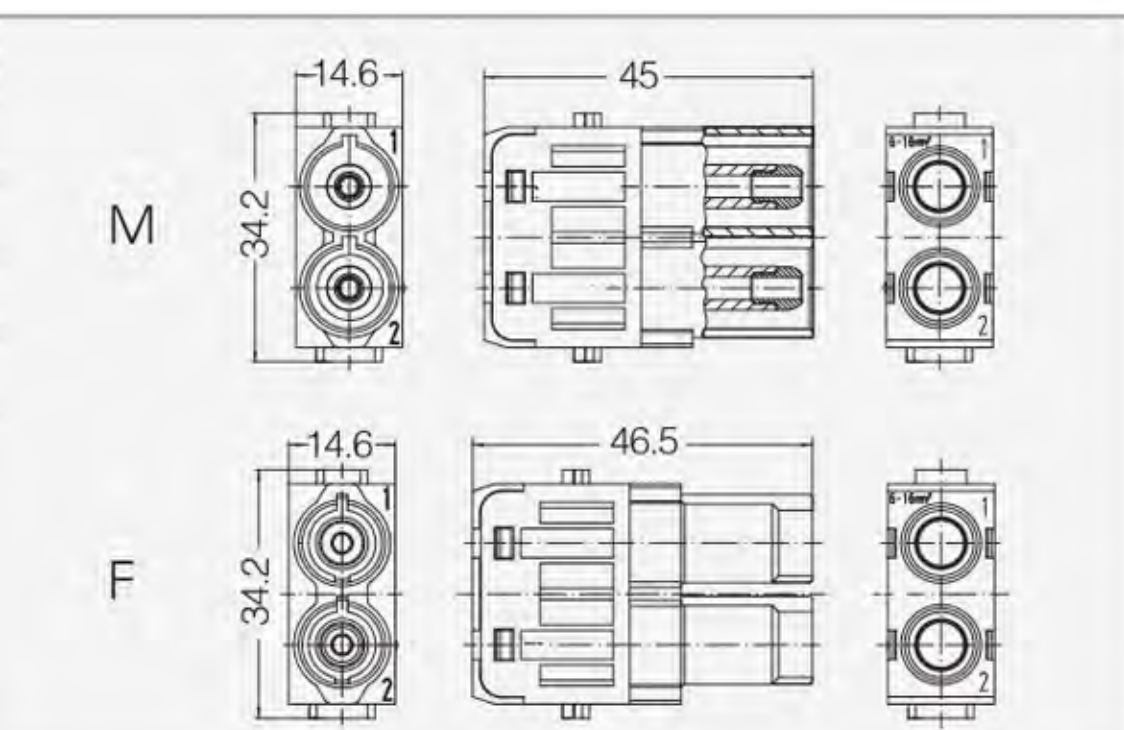


- ① 24B外壳带6个模块, 导线截面: 6mm<sup>2</sup>
- ② 24B外壳带6个模块, 导线截面: 16mm<sup>2</sup>
- ③ 24B外壳带6个模块, 导线截面: 22mm<sup>2</sup>
- ① 24 B hoods/housings with 6 modules, wire gauge:6mm<sup>2</sup>
- ② 24 B hoods/housings with 6 modules, wire gauge:16mm<sup>2</sup>
- ③ 24 B hoods/housings with 6 modules, wire gauge:22mm<sup>2</sup>

轴向螺栓连接 Axial Screw Terminal



插芯 Inserts	型号 Type
公 Male	KMK7-002-M(6-16mm <sup>2</sup> ) KMK7-002-M(14-22mm <sup>2</sup> )
母 Female	KMK7-002-F(6-16mm <sup>2</sup> ) KMK7-002-F(14-22mm <sup>2</sup> )



附件 Accessories

工具 Tools

内六角扳手 Hexagonal driver	描述 Description	型号 Type
	用于轴向夹紧螺栓 带T型把手 For Axial Setscrew With Grip	SW-2.5x100



► KMK70-002 冷压型模块 Crimp Module 1000V 70A

插芯 Inserts

 可与框架及其他所有模块产品组合使用  
Combination with hinged frame and other modules possible.

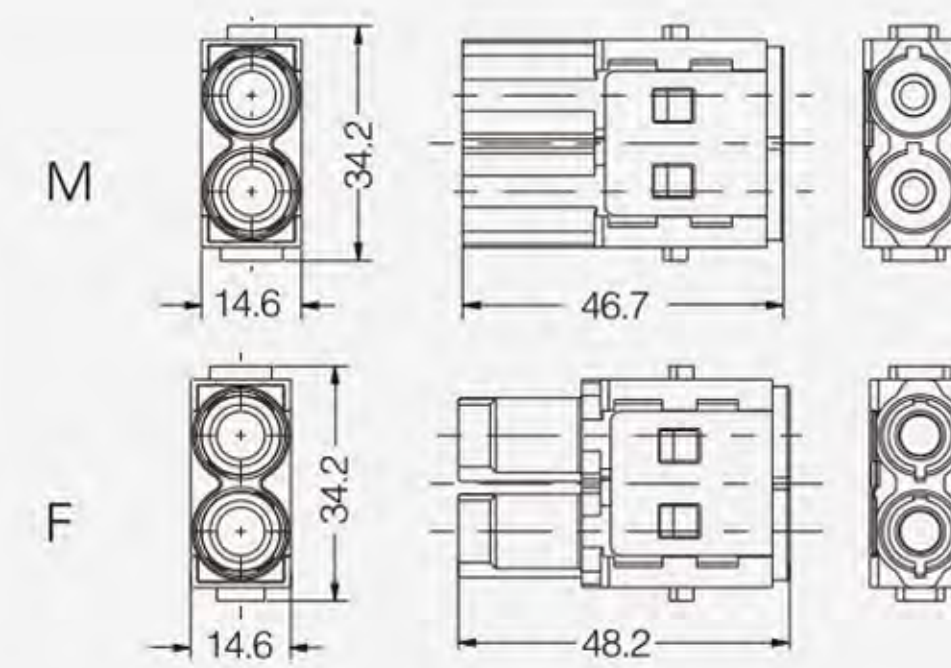
技术参数 Technical Characteristics

规范	Specifications	
规范	Specifications	DIN EN 60 664 DIN EN 61 984
插芯	Inserts	
接插件针数	Number Of Contacts	2
依据 EN 61 984 的电气数据	Electrical Data Acc. To EN 61 984	
-额定电流	-Rated Current	70A
-额定电压	-Rated Voltage	1000V
-额定脉冲电压	-Rated Impulse Voltage	8kV
-污染程度	-Pollution Degree	3
绝缘电阻	Insulation Resistance	≥ 10 <sup>10</sup> Ω
材料	Material	聚碳酸酯 Polycarbonate
工作温度范围	Limiting Temperatures	-40°C...+125°C
依据UL 94的阻燃等级	Flammability Acc. To UI94	V0
可拔插次数	Mechanical Working Life-mating Cycles	≥ 500
插针	Contacts	
材料	Material	铜合金 Copper Alloy
表面处理	Surface	镀银 Hard-silver Plated
接触电阻	Contact Resistance	≤ 0.5mΩ
冷压连接	Crimp Terminal	
- mm <sup>2</sup>	- mm <sup>2</sup>	10-25mm <sup>2</sup>
剥线长度	Stripping length	15.5mm
最大电缆直径	Max. insulation diameter	11mm

冷压连接 Crimp Terminal



插芯 Inserts	型号 Type
公 Male	KMK7-002-MC
母 Female	KMK7-002-FC



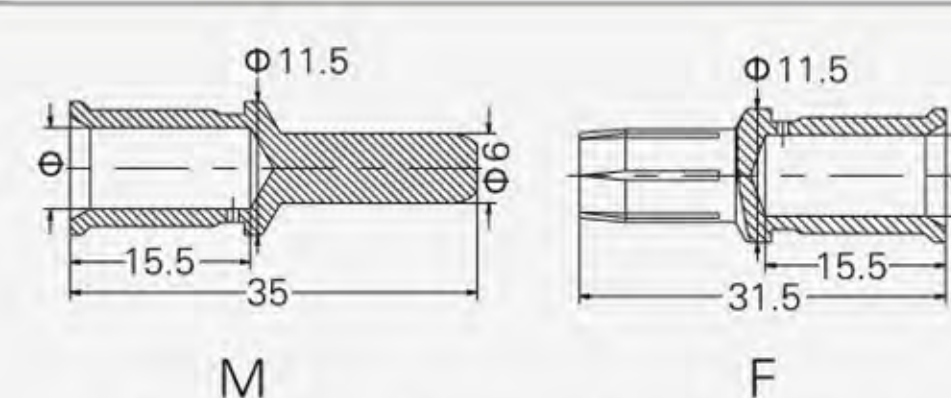
附件 Accessories

70A 冷压针 Crimp contacts

接触电阻 ≤ 0.5 mΩ  
Contact resistance ≤ 0.5 mΩ  
镀银 silver plated




公 Male	母 Female
KF-70A-SM-10	KF-70A-SF-10
KF-70A-SM-16	KF-70A-SF-16
KF-70A-SM-25	KF-70A-SF-25



导线截面 Wire gauge	Φ	剥线长度 Stripping length
10 mm <sup>2</sup>	4.3	15.5 mm
16mm <sup>2</sup>	5.5	15.5 mm
25 mm <sup>2</sup>	7	15.5 mm


电绞线依据 IEC 60 228-5  
for stranded wire according to IEC 60 228 Class 5

工具 Tools

液压钳 Manual hydraulic clamp	压接线径 Wire gauge	型号 Type
	10-240mm <sup>2</sup>	TL05

► KMK-002 轴向压接型模块 Axial Module 1000V 40A

插芯 Inserts

 可与框架及其他所有模块产品组合使用  
Combination with hinged frame and other modules possible.

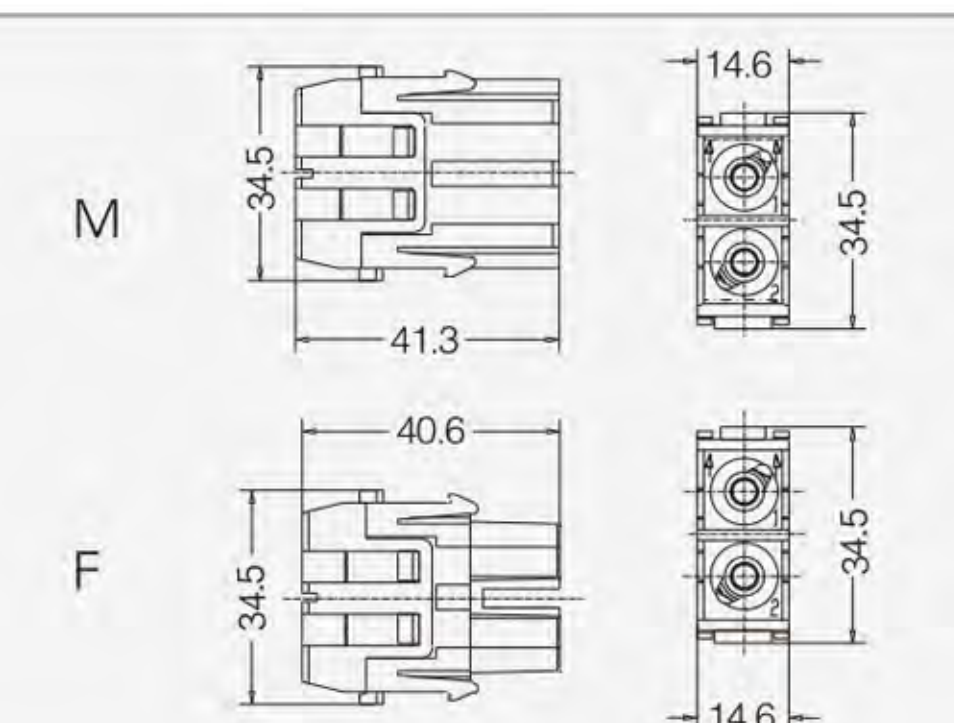
技术参数 Technical Characteristics

规范	Specifications	
规范	Specifications	DIN EN 60 664 DIN EN 61 984
插芯	Inserts	
接插件针数	Number Of Contacts	2
依据 EN 61 984 的电气数据	Electrical Data Acc. To EN 61 984	
-额定电流	-Rated Current	40A
-额定电压	-Rated Voltage	1000V
-额定脉冲电压	-Rated Impulse Voltage	8kV
-污染程度	-Pollution Degree	3
依据UL的额定电压	Rated Voltage Acc.to UI	600V
绝缘电阻	Insulation Resistance	≥ 10 <sup>10</sup> Ω
材料	Material	聚碳酸酯 Polycarbonate
工作温度范围	Limiting Temperatures	-40°C...+125°C
依据UL 94的阻燃等级	Flammability Acc. To UI94	V0
可拔插次数	Mechanical Working Life-mating Cycles	≥ 500
插针	Contacts	
材料	Material	铜合金 Copper Alloy
表面处理	Surface	镀银 Hard-silver Plated
接触电阻	Contact Resistance	0.5mΩ
电缆绞线依据IEC 60 228-5	To IEC 60 228 Class 5	
轴向螺栓连接	Axial Screw Terminal	
- mm <sup>2</sup>	-mm <sup>2</sup>	2.5-10mm <sup>2</sup>
- AWG	-AWG	14-8
- 内六角扳手	-Hexagonal Driver	SW 2
- 剥线长度	-Stripping length	
- mm <sup>2</sup>	- mm <sup>2</sup>	2.5 4 6 10
- mm	- mm	5 <sup>+</sup> 5 <sup>+</sup> 8 <sup>+</sup> 11 <sup>+</sup>
- 拧紧力矩	-Tightening Torque	
- mm <sup>2</sup>	- mm <sup>2</sup>	2.5 4 6 10
- Nm	- Nm	1.5 1.5 2 2

轴向螺栓连接 Axial Screw Terminal



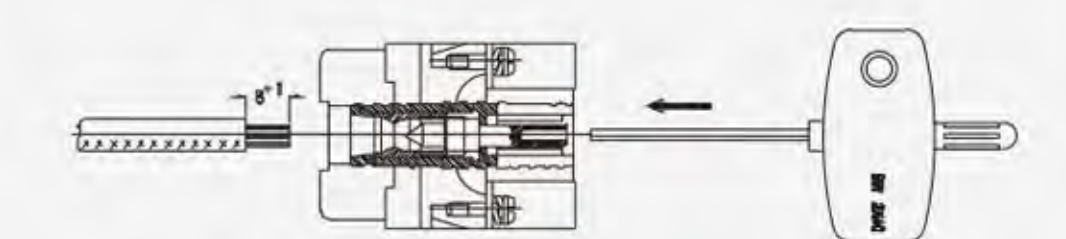
插芯 Inserts	型号 Type
公 Male	KMK-002.1-M(2.5-8mm <sup>2</sup> ) KMK-002.2-M(6-10mm <sup>2</sup> )
母 Female	KMK-002.1-F(2.5-8mm <sup>2</sup> ) KMK-002.2-F(6-10mm <sup>2</sup> )



附件 Accessories

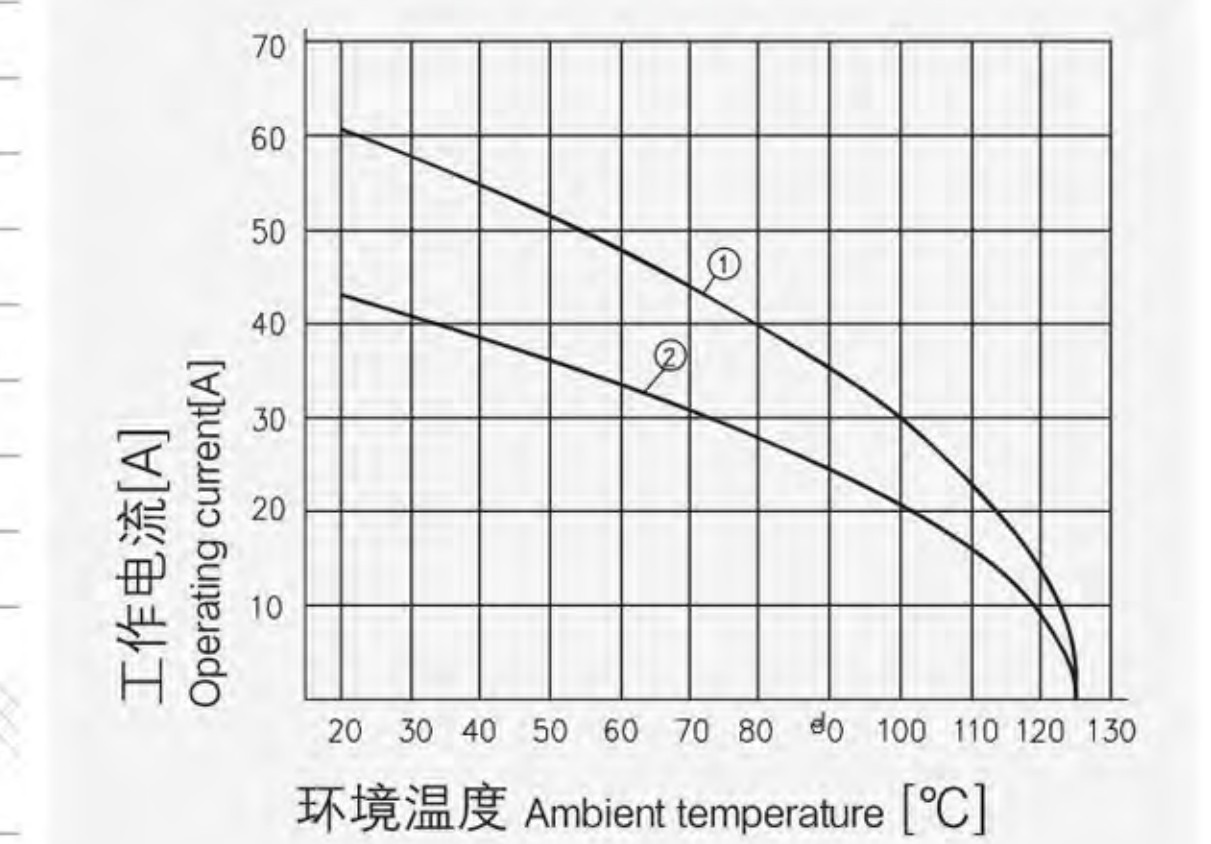
工具 Tools

内六角扳手 Hexagonal driver	描述 Description	型号 Type
	用于轴向夹紧螺栓 带T型把手 For Axial Setscrew With Grip	SW-2x40



电流负载能力 Current Carrying Capacity

电流负载能力所受的限制主要来自包含接插针的接插体可承受的最大温度  
测试和控制过程依据 DIN EN 60512-5  
The current carrying is limited by maximum temperature of materials for Inserts and contacts including terminals.  
Measuring and testing techniques according to DINEN 60512-5



- ① 24B外壳带6个模块，导线截面：10mm<sup>2</sup>
- ② 24B外壳带6个模块，导线截面：6mm<sup>2</sup>
- ① 24 B hoods/housings with 6 modules, wire gauge:10mm<sup>2</sup>
- ② 24 B hoods/housings with 6 modules, wire gauge:6mm<sup>2</sup>



► KMK-002 冷压型模块 Crimp Module 1000V 40A

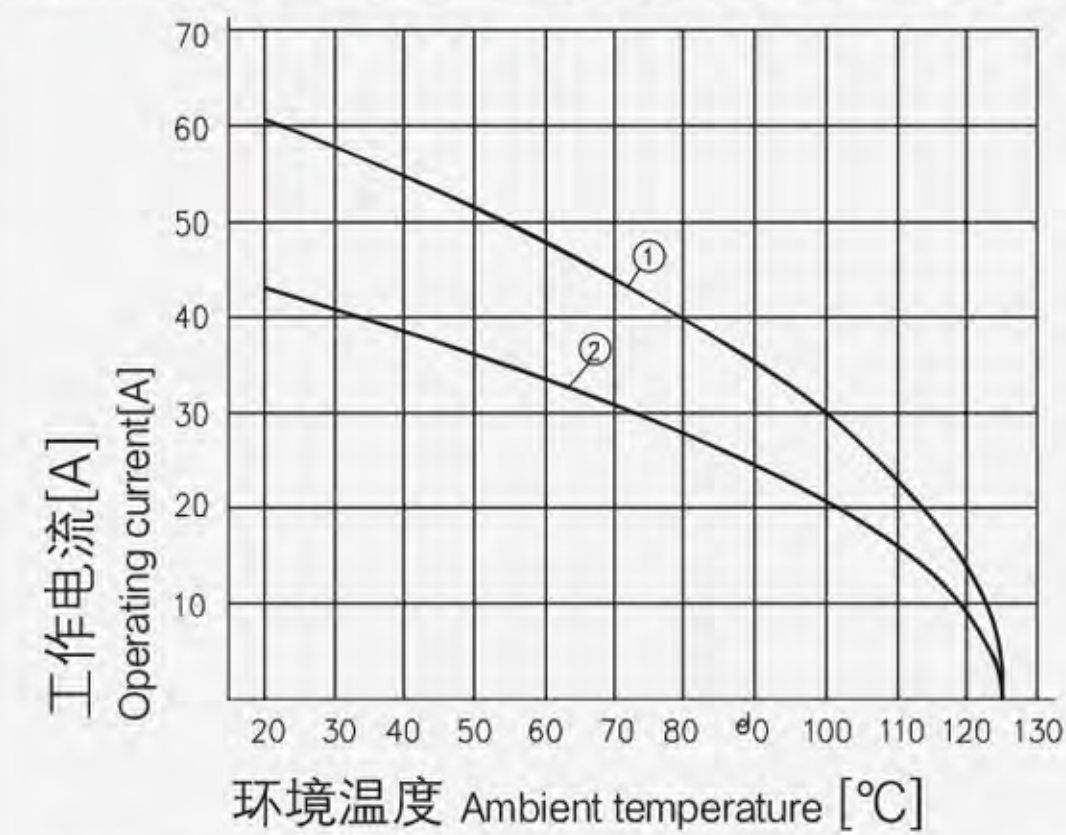
插芯 Inserts

可与框架及其他所有模块产品组合使用  
Combination with hinged frame and other modules possible.

技术参数 Technical Characteristics

规范	Specifications	
规范	Specifications	DIN EN 60 664 DIN EN 61 984
插芯	Inserts	
接插件针数	Number Of Contacts	2
依据 EN 61 984 的电气数据	Electrical Data Acc. To EN 61 984	
-额定电流	-Rated Current	40A
-额定电压	-Rated Voltage	1000V
-额定脉冲电压	-Rated Impulse Voltage	8kV
-污染程度	-Pollution Degree	3
绝缘电阻	Insulation Resistance	$\geq 10^{10} \Omega$
材料	Material	聚碳酸酯 Polycarbonate
工作温度范围	Limiting Temperatures	-40°C...+125°C
依据 UL 94 的阻燃等级	Flammability Acc. To UL94	V0
可拔插次数	Mechanical Working Life-mating Cycles	$\geq 500$
插针	Contacts	
材料	Material	铜合金 Copper Alloy
表面处理	Surface	镀银 Hard-silver Plated
接触电阻	Contact Resistance	$\leq 0.3m\Omega$
冷压连接	Crimp Terminal	
- mm <sup>2</sup>	- mm <sup>2</sup>	1.5-10mm <sup>2</sup>
-AWG	-AWG	16-8

**电流负载能力 Current Carrying Capacity**  
电流负载能力所受的限制主要来自包含接插针的接插体可承受的最大温度  
测试和控制过程依据 DIN EN 60512-5  
The current carrying is limited by maximum temperature of materials for inserts and contacts including terminals.  
Measuring and testing techniques according to DIN EN 60512-5

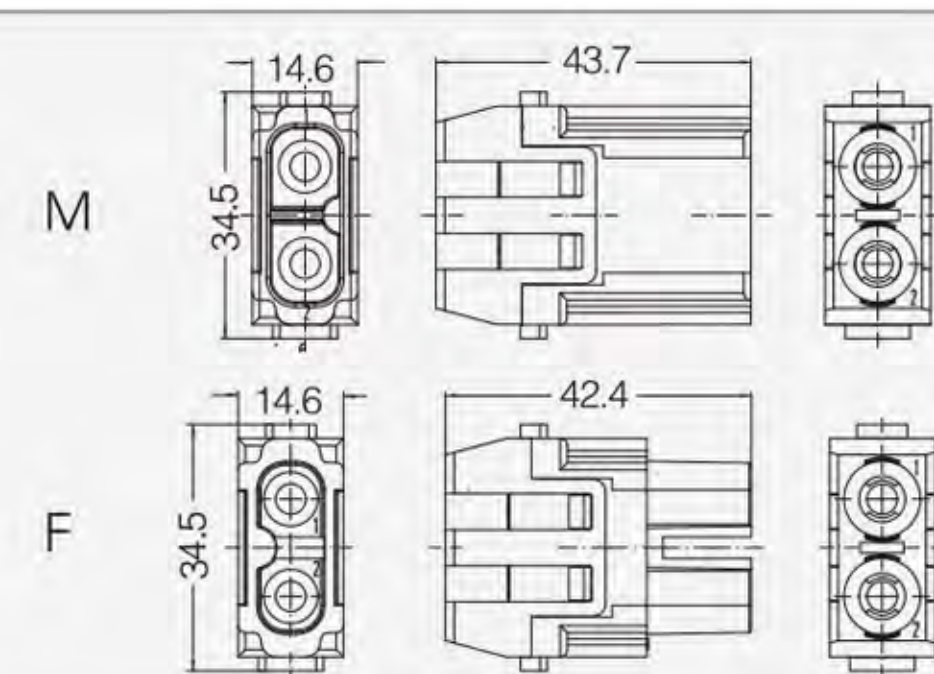


- ① 24B外壳带6个模块, 导线截面: 10mm<sup>2</sup>
- ② 24B外壳带6个模块, 导线截面: 6mm<sup>2</sup>
- ① 24 B hoods/housings with 6 modules, wire gauge:10mm<sup>2</sup>
- ② 24 B hoods/housings with 6 modules, wire gauge:6mm<sup>2</sup>

冷压连接 Crimp Terminal



插芯 Inserts	型号 Type
公 Male	KMK-002-MC
母 Female	KMK-002-FC



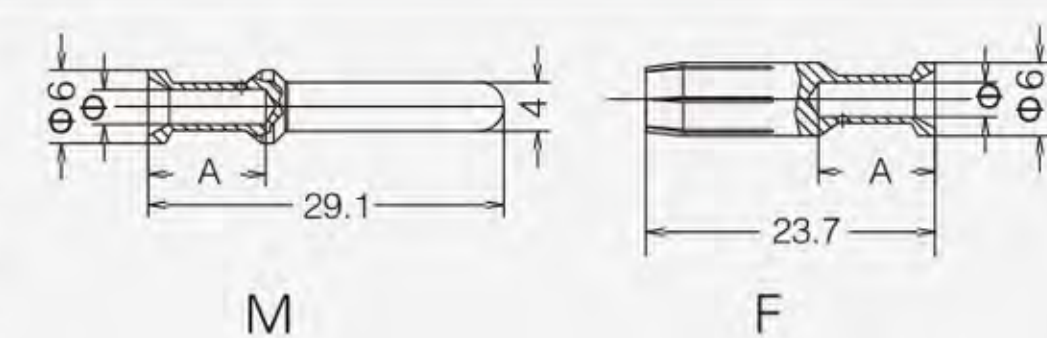
附件 Accessories

40A 冷压针 Crimp contacts

接触电阻  $\leq 0.3 m\Omega$   
Contact resistance  $\leq 0.3 m\Omega$   
镀银 silver plated



公 Male	母 Female
KF-40A-SM-1.5	KF-40A-SF-1.5
KF-40A-SM-2.5	KF-40A-SF-2.5
KF-40A-SM-4.0	KF-40A-SF-4.0
KF-40A-SM-6.0	KF-40A-SF-6.0
KF-40A-SM-10.0	KF-40A-SF-10.0



导线截面 Wire gauge	Φ	剥线长度 Stripping length
1.5 mm <sup>2</sup> AWG 16	1.75	9 mm
2.5mm <sup>2</sup> AWG 14	2.25	9 mm
4 mm <sup>2</sup> AWG 12	2.85	9.6 mm
6 mm <sup>2</sup> AWG 10	3.5	9.6 mm
10 mm <sup>2</sup> AWG 8	4.3	15 mm

剥线长度 A = 15 mm 用于电缆  $\geq 5$  mm  
剥线长度 A = 18 mm 用于电缆  $\geq 6.4$  mm  
Stripping length A = 15 mm for cables  $\geq 5$  mm  
Stripping length A = 18 mm for cables  $\geq 6.4$  mm

工具 Tools

冷压钳  
Manual hydraulic clamp



压接线径 Wire gauge	型号 Type
1.5-6mm <sup>2</sup>	TL02-0G
4/6/10mm <sup>2</sup>	TL02-3G

退针器  
Removal tool



适用类型 For	型号 Type
40A 冷压针 Crimp contacts	TL06

► KMK-003 轴向压接型模块 Axial Module 690V 40A

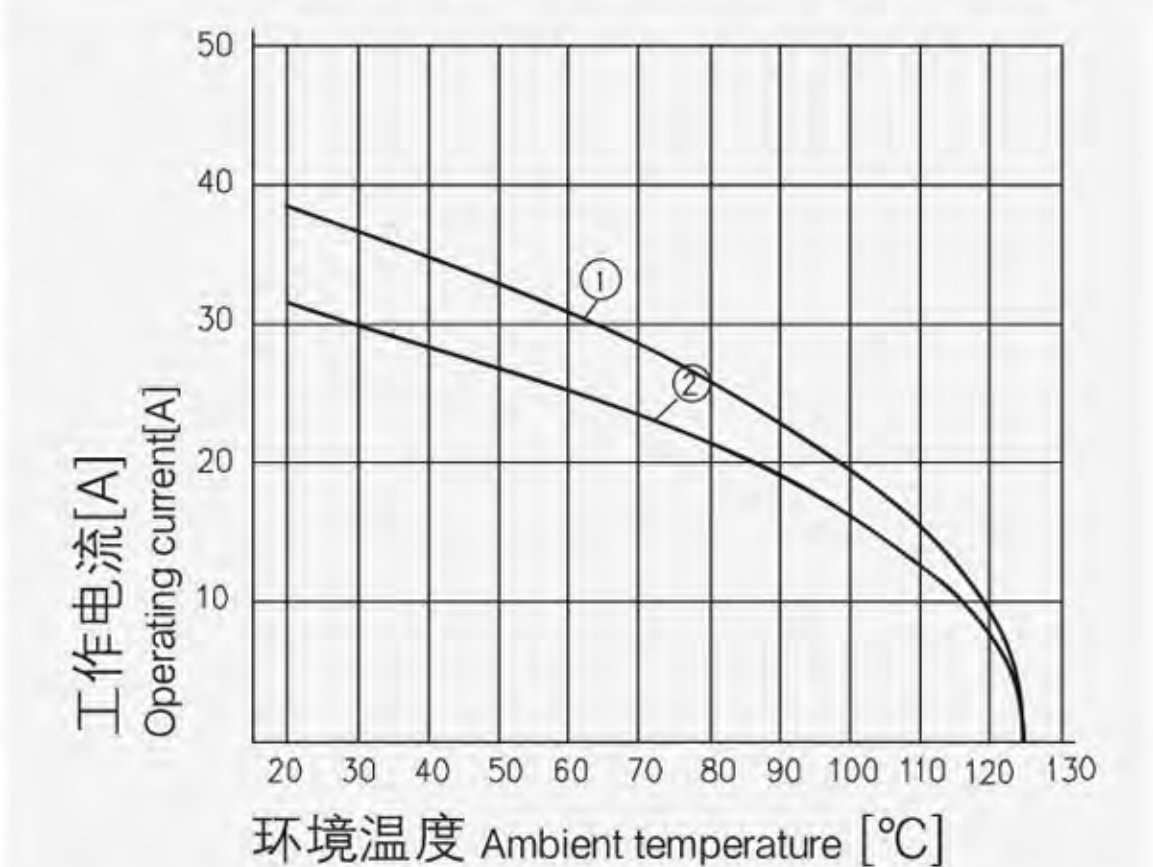
插芯 Inserts

可与框架及其他所有模块产品组合使用  
Combination with hinged frame and other modules possible.

技术参数 Technical Characteristics

规范	Specifications	
规范	Specifications	DIN EN 60 664 DIN EN 61 984
插芯	Inserts	
接插件针数	Number Of Contacts	3
依据 EN 61 984 的电气数据	Electrical Data Acc. To EN 61 984	
-额定电流	-Rated Current	40A
-额定电压	-Rated Voltage	690V
-额定脉冲电压	-Rated Impulse Voltage	8kV
-污染程度	-Pollution Degree	3
依据 UL 的额定电压	Rated Voltage Acc.to UI	600V
绝缘电阻	Insulation Resistance	$\geq 10^{10} \Omega$
材料	Material	聚碳酸酯 Polycarbonate
工作温度范围	Limiting Temperatures	-40°C...+125°C
依据 UL 94 的阻燃等级	Flammability Acc. To UI94	V0
可拔插次数	Mechanical Working Life-mating Cycles	$\geq 500$
插针	Contacts	
材料	Material	铜合金 Copper Alloy
表面处理	Surface	镀银 Hard-silver Plated
接触电阻	Contact Resistance	0.3mΩ
电缆绞线依据 IEC 60 228-5	To IEC 60 228 Class 5	
轴向螺栓连接	Axial Screw Terminal	
- mm <sup>2</sup>	-mm <sup>2</sup>	2.5-10mm <sup>2</sup>
- AWG	-AWG	14-8
- 内六角扳手	-Hexagonal Driver	SW 2
- 剥线长度	-Stripping length	
- mm <sup>2</sup>	- mm <sup>2</sup>	2.5 4 6 10
- mm	- mm	5*1 5*1 8*1 11*1
- 拧紧力矩	-Tightening Torque	
- mm <sup>2</sup>	- mm <sup>2</sup>	2.5 4 6 10
- Nm	- Nm	1.5 1.5 2 2

**电流负载能力 Current Carrying Capacity**  
电流负载能力所受的限制主要来自包含接插针的接插体可承受的最大温度  
测试和控制过程依据 DIN EN 60512-5  
The current carrying is limited by maximum temperature of materials for inserts and contacts including terminals.  
Measuring and testing techniques according to DIN EN 60512-5

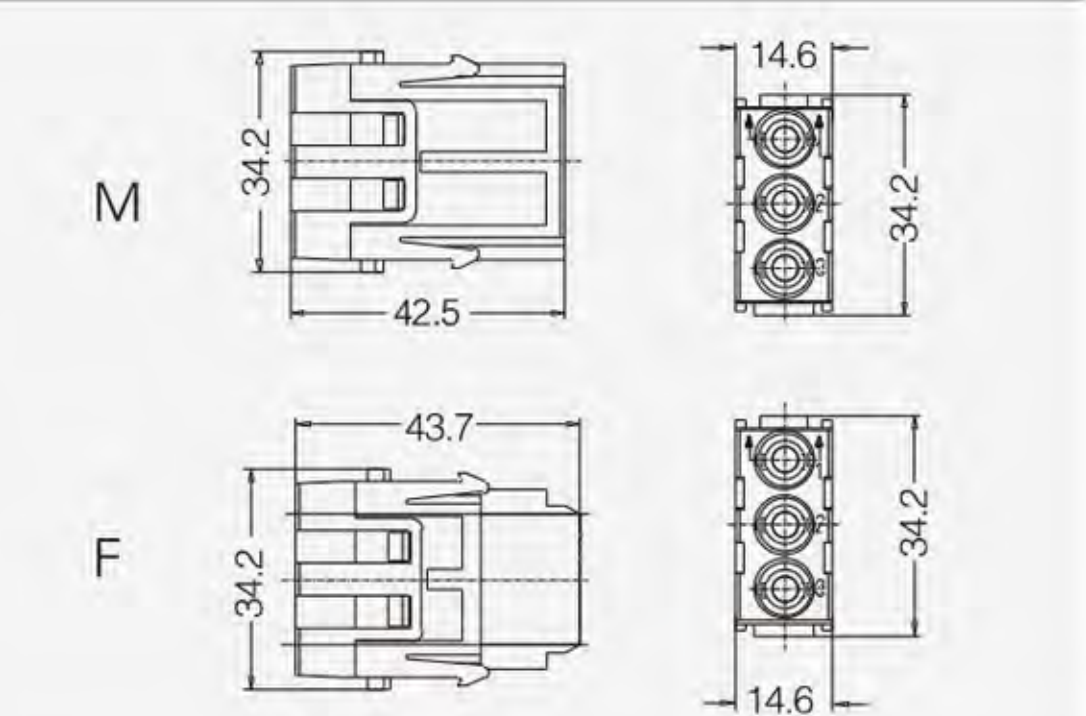


- ① 24B外壳带6个模块, 导线截面: 6mm<sup>2</sup>
- ② 24B外壳带6个模块, 导线截面: 4mm<sup>2</sup>
- ① 24 B hoods/housings with 6 modules, wire gauge:6mm<sup>2</sup>
- ② 24 B hoods/housings with 6 modules, wire gauge:4mm<sup>2</sup>

轴向螺栓连接 Axial Screw Terminal



插芯 Inserts	型号 Type
公 Male	KMK-003.1-M(2.5-8mm <sup>2</sup> ) KMK-003.2-M(6-10mm <sup>2</sup> )
母 Female	KMK-003.1-F(2.5-8mm <sup>2</sup> ) KMK-003.2-F(6-10mm <sup>2</sup> )



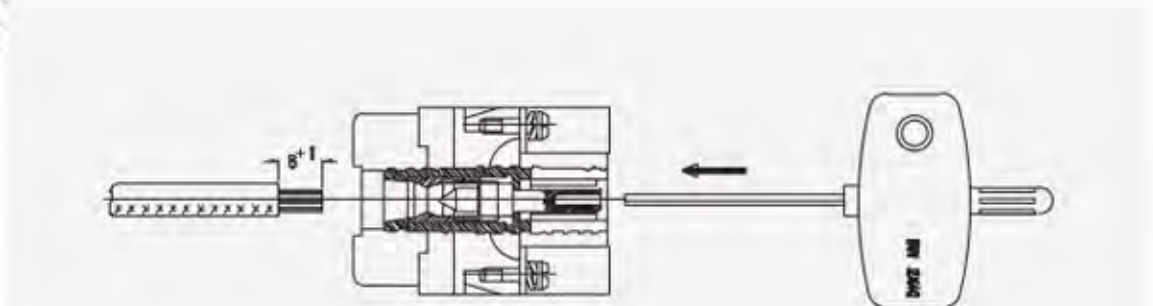
附件 Accessories

工具 Tools

内六角扳手  
Hexagonal driver



描述 Description	型号 Type
用于轴向夹紧螺栓 带T型把手 For Axial Setscrew With Grip	SW-2x40





► KMK-003 冷压型模块 Crimp Module 400V/690V 40A

插芯 Inserts

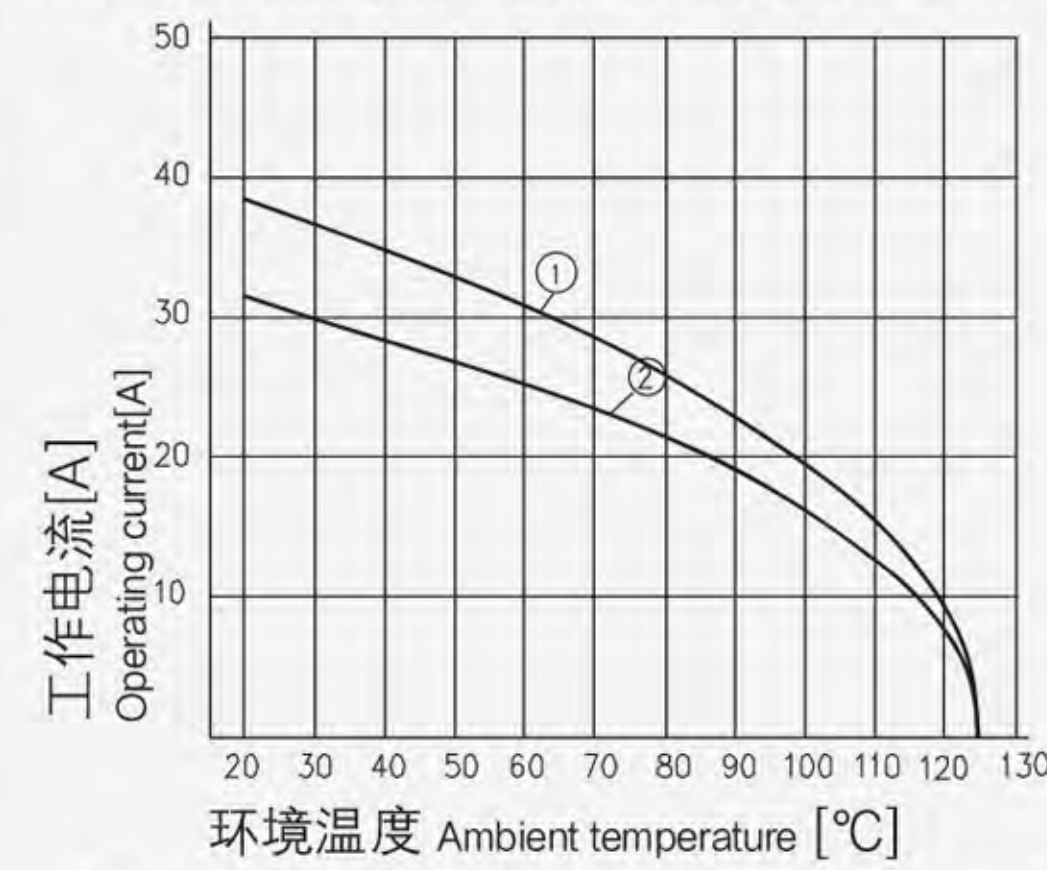


可与框架及其他所有模块产品组合使用  
Combination with hinged frame and other modules possible.

技术参数 Technical Characteristics

规范	Specifications	DIN EN 60 664
规范	Specifications	DIN EN 61 984
插芯	Inserts	
接插件针数	Number Of Contacts	3
依据 EN 61 984 的电气数据	Electrical Data Acc. To EN 61 984	
-额定电流	-Rated Current	40A
-额定电压	-Rated Voltage	500V
-额定脉冲电压	-Rated Impulse Voltage	6kV
-污染程度	-Pollution Degree	3
依据 UL/CSA 的额定电压	Rated Voltage Acc. to UL/CSA	600V
依据 UL/CSA 的额定电流	Rated Current Acc. to UL/CSA	32A
绝缘电阻	Insulation Resistance	≥ 10 <sup>10</sup> Ω
材料	Material	聚碳酸酯 Polycarbonate
工作温度范围	Limiting Temperatures	-40°C...+125°C
依据 UL 94 的阻燃等级	Flammability Acc. To UI94	V0
可拔插次数	Mechanical Working Life-mating Cycles	≥ 500
插针	Contacts	
材料	Material	铜合金 Copper Alloy
表面处理	Surface	镀银 Hard-silver Plated
接触电阻	Contact Resistance	≤ 0.3mΩ
冷压连接	Crimp Terminal	
- mm <sup>2</sup>	- mm <sup>2</sup>	1.5-10mm <sup>2</sup>
-AWG	-AWG	16-8

**电流负载能力 Current Carrying Capacity**  
电流负载能力所受的限制主要来自包含接插针的接插体可承受的最大温度  
测试和控制过程依据 DIN EN 60512-5  
The current carrying is limited by maximum temperature of materials for Inserts and contacts including terminals.  
Measuring and testing techniques according to DIN EN 60512-5

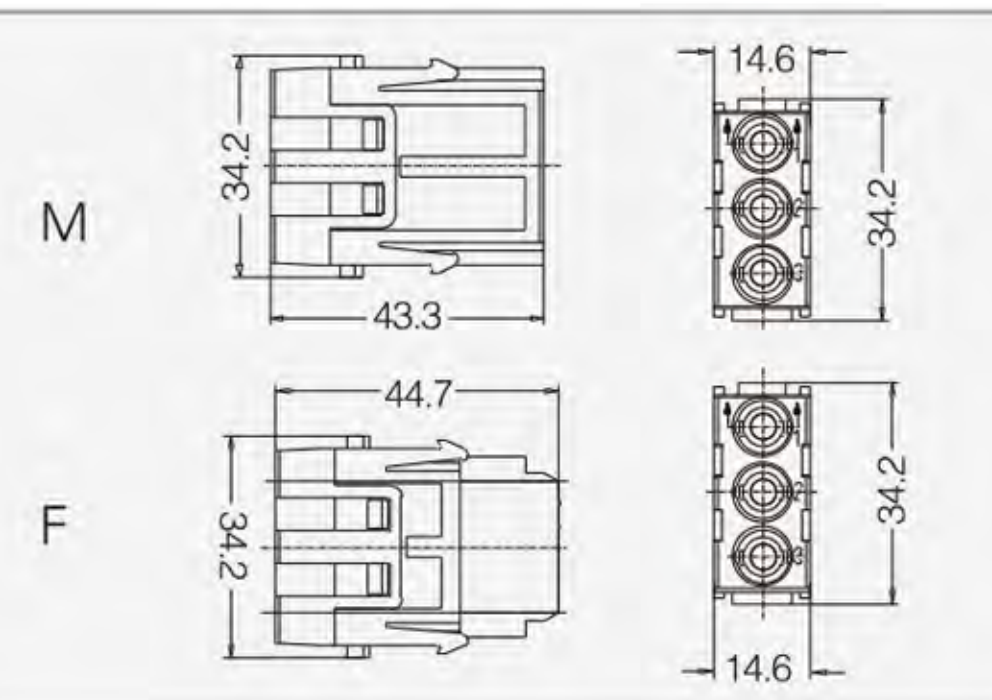


- ① 24B 外壳带6个模块, 导线截面: 6mm<sup>2</sup>
- ② 24B 外壳带6个模块, 导线截面: 4mm<sup>2</sup>
- ① 24 B hoods/housings with 6 modules, wire gauge: 6mm<sup>2</sup>
- ② 24 B hoods/housings with 6 modules, wire gauge: 4mm<sup>2</sup>

冷压连接 Crimp Terminal



插芯 Inserts	型号 Type
公 Male	KMK-003-MC
母 Female	KMK-003-FC



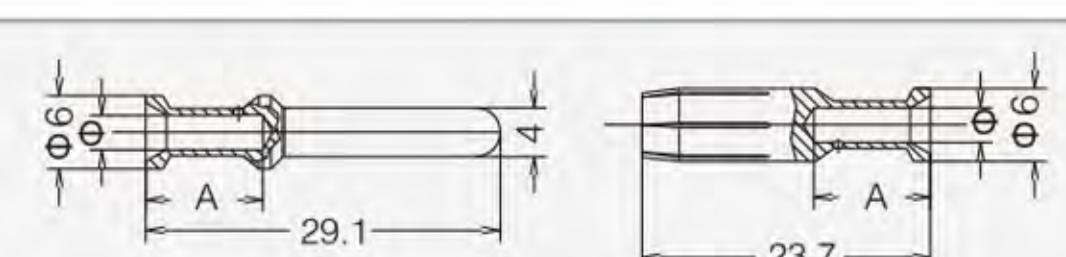
附件 Accessories

40A 冷压针 Crimp contacts

接触电阻 ≤ 0.3 mΩ  
Contact resistance ≤ 0.3 mΩ  
镀银 silver plated



公 Male	母 Female
KF-40A-SM-1.5	KF-40A-SF-1.5
KF-40A-SM-2.5	KF-40A-SF-2.5
KF-40A-SM-4.0	KF-40A-SF-4.0
KF-40A-SM-6.0	KF-40A-SF-6.0
KF-40A-SM-10.0	KF-40A-SF-10.0



导线截面 Wire gauge	φ	剥线长度 Stripping length
1.5 mm <sup>2</sup> AWG 16	1.75	9 mm
2.5 mm <sup>2</sup> AWG 14	2.25	9 mm
4 mm <sup>2</sup> AWG 12	2.85	9.6 mm
6 mm <sup>2</sup> AWG 10	3.5	9.6 mm
10 mm <sup>2</sup> AWG 8	4.3	15 mm

剥线长度 A = 15 mm 用于电缆 ≥ 5 mm  
剥线长度 A = 18 mm 用于电缆 ≥ 6.4 mm  
Stripping length A = 15 mm for cables ≥ 5 mm  
Stripping length A = 18 mm for cables ≥ 6.4 mm

工具 Tools

冷压钳  
Manual hydraulic clamp



压接线径 Wire gauge	型号 Type
1.5-6mm <sup>2</sup>	TL02-0G
4/6/10mm <sup>2</sup>	TL02-3G

退针器  
Removal tool



适用类型 For	型号 Type
40A 冷压针 Crimp contacts	TL06

► KMK-003/4 冷压型模块 Crimp Module 830/830V 40/10A

插芯 Inserts

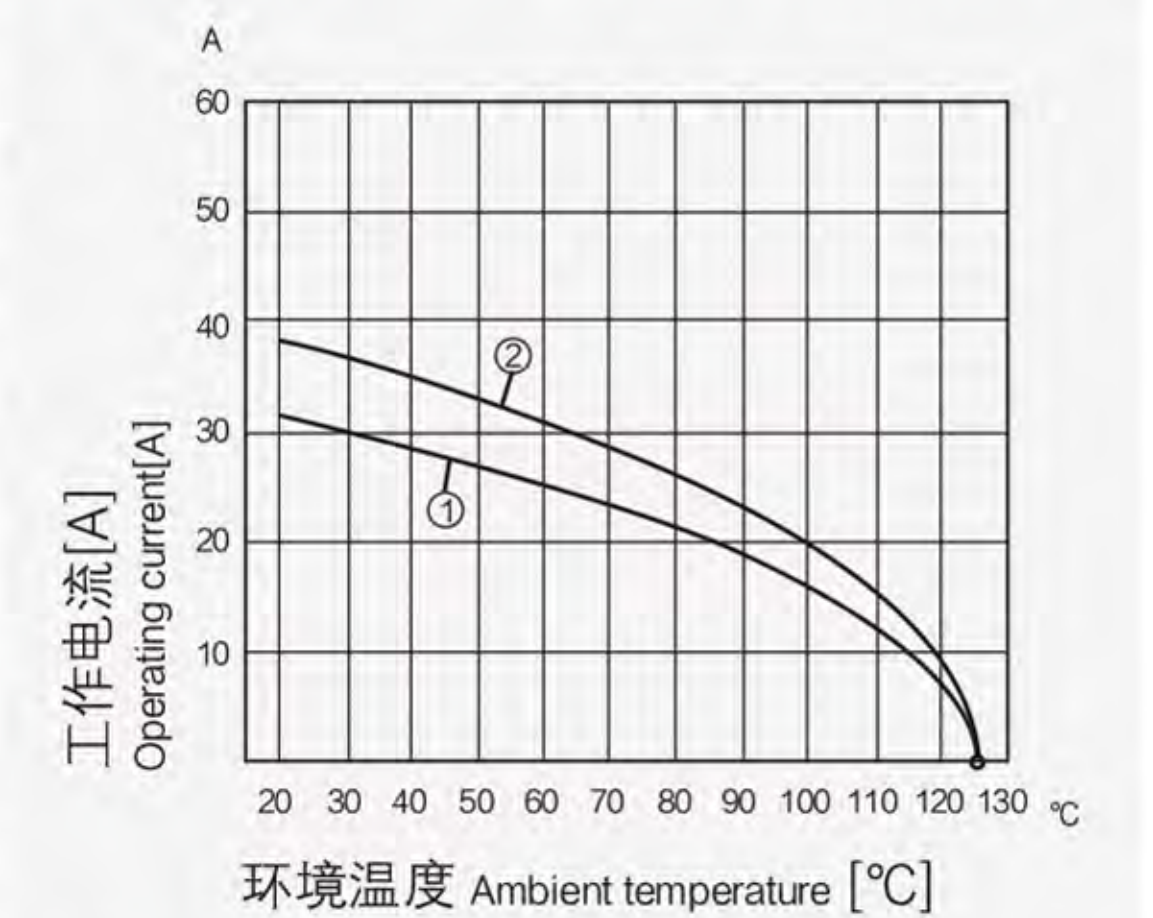


可与框架及其他所有模块产品组合使用  
Combination with hinged frame and other modules possible.

技术参数 Technical Characteristics

规范	Specifications	DIN EN 60 664
规范	Specifications	DIN EN 61 984
插芯	Inserts	
接插件针数	Number Of Contacts	3/4
依据 EN 61 984 的电气数据	Electrical Data Acc. To EN 61 984	
电力区	Power Contacts	40A
-额定电流	-Rated Current	830V
-额定电压	-Rated Voltage	8kV
-额定脉冲电压	-Rated Impulse Voltage	3
-污染程度	-Pollution Degree	
信号区	Signal Contacts	
-额定电流	-Rated Current	10A
-额定电压	-Rated Voltage	830V
-额定脉冲电压	-Rated Impulse Voltage	8kV
-污染程度	-Pollution Degree	3
依据 UL 的额定电压	Rated Voltage Acc. to UI	600V
绝缘电阻	Insulation Resistance	≥ 10 <sup>10</sup> Ω
材料	Material	聚碳酸酯 Polycarbonate
工作温度范围	Limiting Temperatures	-40°C...+125°C
依据 UL 94 的阻燃等级	Flammability Acc. To UI94	V0
可拔插次数	Mechanical Working Life-mating Cycles	≥ 500
插针	Contacts	
材料	Material	铜合金 Copper Alloy
表面处理	Surface	镀银 Hard-silver Plated 镀金 Hard-gold Plated
接触电阻	Contact Resistance	
-电力区	Power Contacts	≤ 0.3mΩ
-信号区	Signal Contacts	≤ 3mΩ
冷压连接	Crimp terminal	
- mm <sup>2</sup>	- mm <sup>2</sup>	1.5-6mm <sup>2</sup>
-电力区	Power Contacts	0.14-2.5mm <sup>2</sup>
-信号区	Signal Contacts	
-AWG	AWG	16-10
-电力区	Power Contacts	26-14
-信号区	Signal Contacts	
最大电缆直径	Max. insulation diameter	5mm
-电力区	Power Contacts	

**电流负载能力 Current Carrying Capacity**  
电流负载能力所受的限制主要来自包含接插针的接插体可承受的最大温度  
测试和控制过程依据 DIN EN 60512-5  
The current carrying is limited by maximum temperature of materials for Inserts and contacts including terminals.  
Measuring and testing techniques according to DIN EN 60512-5

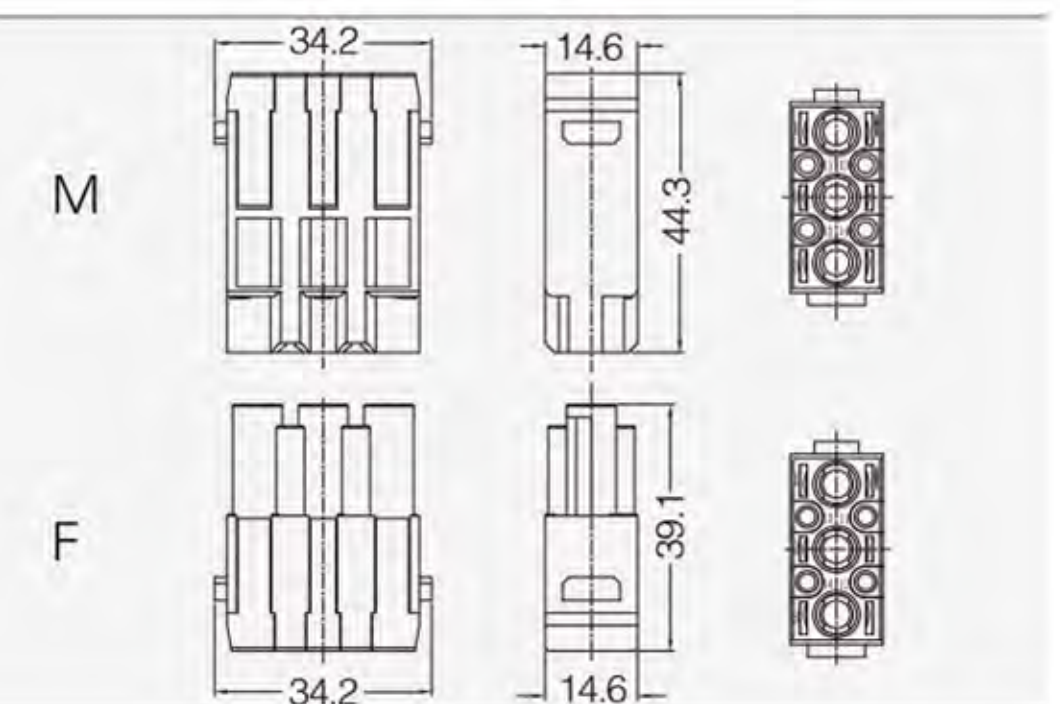


- ① 24B 外壳带6个模块, 导线截面: 4mm<sup>2</sup>
- ② 24B 外壳带6个模块, 导线截面: 6mm<sup>2</sup>
- ① 24 B hoods/housings with 6 modules, wire gauge: 4mm<sup>2</sup>
- ② 24 B hoods/housings with 6 modules, wire gauge: 6mm<sup>2</sup>

冷压连接 Crimp Terminal



插芯 Inserts	型号 Type
公 Male	KMK-003/4-MC
母 Female	KMK-003/4-FC



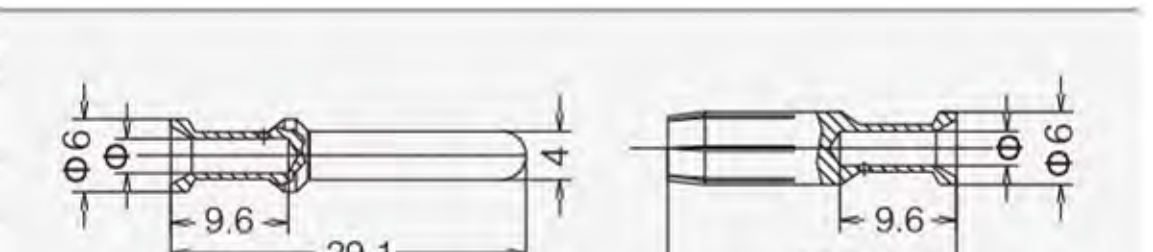
附件 Accessories

40A/10A 冷压针 Crimp contacts

接触电阻 ≤ 0.3 mΩ  
Contact resistance ≤ 0.3 mΩ  
镀银 silver plated



公 Male	母 Female
KF-40A-SM-1.5	KF-40A-SF-1.5
KF-40A-SM-2.5	KF-40A-SF-2.5
KF-40A-SM-4.0	KF-40A-SF-4.0
KF-40A-SM-6.0	KF-40A-SF-6.0
KF-40A-SM-10.0	KF-40A-SF-10.0



线规 Wire gauge	φ	剥线长度 Stripping length
1.5 mm <sup>2</sup> AWG 16	1.75	9 mm
2.5 mm <sup>2</sup> AWG 14	2.25	9 mm
4 mm <sup>2</sup> AWG 12	2.85	9.6 mm
6 mm <sup>2</sup> AWG 10	3.5	9.6 mm



► KMK-004 冷压型模块 Crimp Module 830V 40A

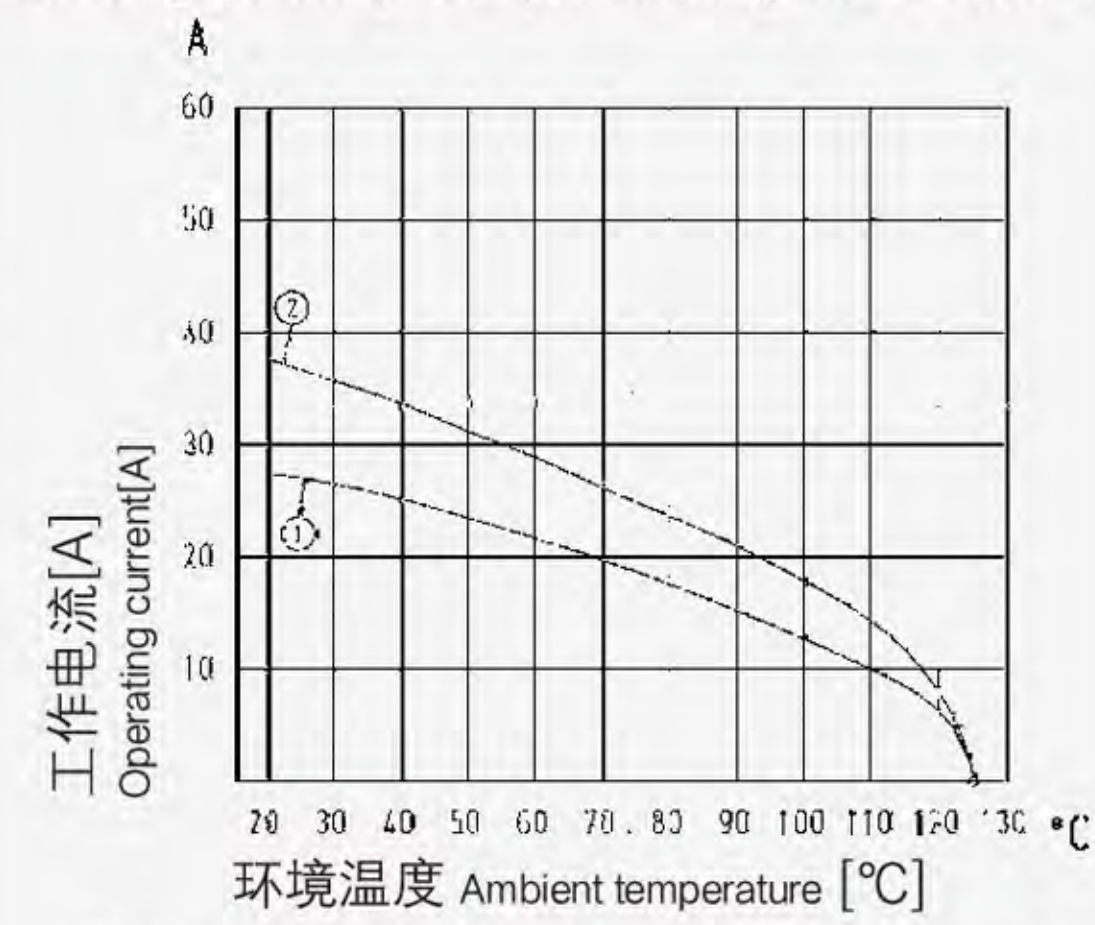
插芯 Inserts

 可与框架及其他所有模块产品组合使用  
Combination with hinged frame and other modules possible.

技术参数 Technical Characteristics


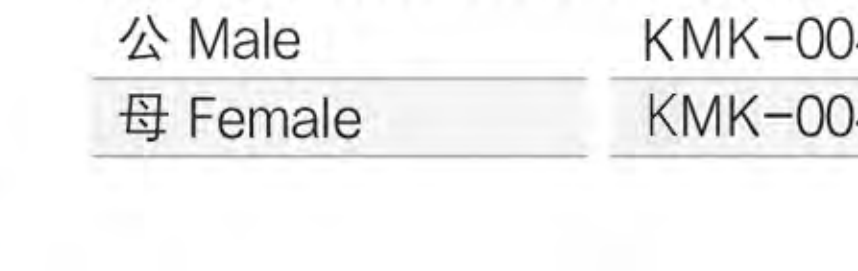
规范	Specifications	
规范	Specifications	DIN EN 60 664 DIN EN 61 984
插芯	Inserts	
接插件针数	Number Of Contacts	4
依据 EN 61 984 的电气数据	Electrical Data Acc. To EN 61 984	
-额定电流	-Rated Current	40A
-额定电压	-Rated Voltage	830V
-额定脉冲电压	-Rated Impulse Voltage	8kV
-污染程度	-Pollution Degree	3
依据UL的额定电压	Rated Voltage Acc. to UL	600V
绝缘电阻	Insulation Resistance	$\geq 10^{10} \Omega$
材料	Material	聚碳酸酯 Polycarbonate
工作温度范围	Limiting Temperatures	-40°C...+125°C
依据UL 94的阻燃等级	Flammability Acc. to UI94	V0
可拔插次数	Mechanical Working Life-mating Cycles	$\geq 500$
插针	Contacts	
材料	Material	铜合金 Copper Alloy
表面处理	Surface	镀银 Hard-silver Plated
接触电阻	Contact Resistance	$\leq 0.3m\Omega$
冷压连接	Crimp Terminal	
- mm <sup>2</sup>	- mm <sup>2</sup>	1.5-6mm <sup>2</sup>
-AWG	-AWG	16-10

**电流负载能力 Current Carrying Capacity**  
电流负载能力所受的限制主要来自包含接插针的接插体可承受的最大温度  
测试和控制过程依据 DIN EN 60512-5  
The current carrying is limited by maximum temperature of materials for Inserts and contacts including terminals.  
Measuring and testing techniques according to DIN EN 60512-5



- ① 24B外壳带6个模块, 导线截面: 4mm<sup>2</sup>
- ② 24B外壳带6个模块, 导线截面: 6mm<sup>2</sup>
- ① 24 B hoods/housings with 6 modules, wire gauge:4mm<sup>2</sup>
- ② 24 B hoods/housings with 6 modules, wire gauge:6mm<sup>2</sup>

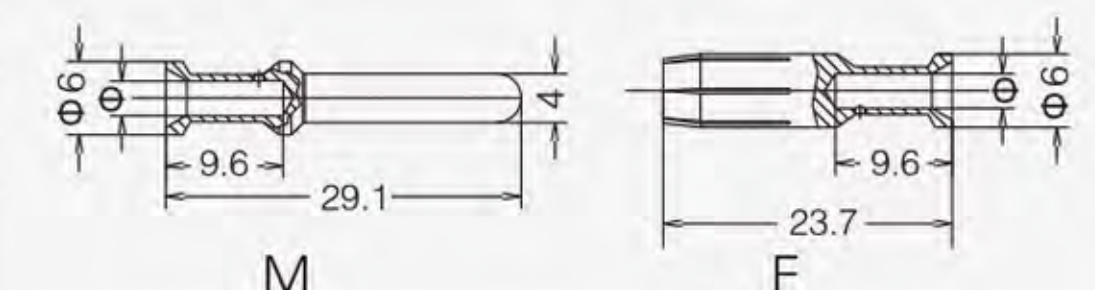
冷压连接 Crimp Terminal

	插芯 Inserts	型号 Type	
	公 Male	KMK-004-MC	
	母 Female	KMK-004-FC	

附件 Accessories

40A 冷压针 Crimp contacts

接触电阻 Contact resistance $\leq 0.3m\Omega$	公 Male	母 Female
镀银 Silver plated	KF-40A-SM-1.5	KF-40A-SF-1.5
	KF-40A-SM-2.5	KF-40A-SF-2.5
	KF-40A-SM-4.0	KF-40A-SF-4.0
	KF-40A-SM-6.0	KF-40A-SF-6.0




线规 Wire gauge	Φ	剥线长度 Stripping length
1.5 mm <sup>2</sup> AWG 16	1.75	9 mm
2.5 mm <sup>2</sup> AWG 14	2.25	9 mm
4 mm <sup>2</sup> AWG 12	2.85	9.6 mm
6 mm <sup>2</sup> AWG 10	3.5	9.6 mm

工具 Tools

冷压钳 Manual hydraulic clamp	压接线径 Wire gauge 1.5-6mm <sup>2</sup>	型号 Type TL02-0G
退针器 Removal tool	适用类型 For 40A 冷压针 Crimp contacts	型号 Type TL06

► KME-005 弹片型模块 Cage-clamp Module 400V 16A

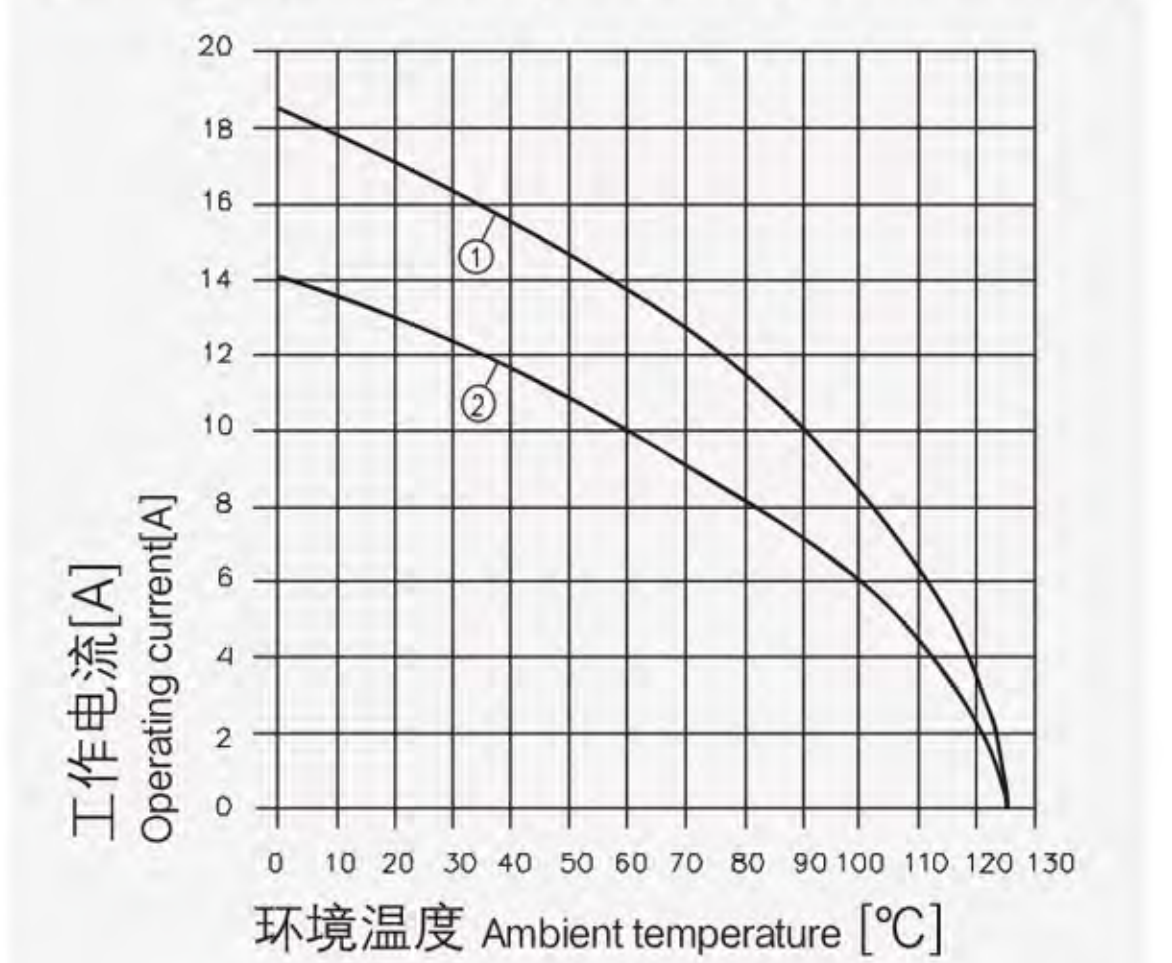
插芯 Inserts

 可与框架及其他所有模块产品组合使用  
Combination with hinged frame and other modules possible.

技术参数 Technical Characteristics



规范	Specifications	
规范	Specifications	DIN EN 60 664 DIN EN 61 984
插芯	Inserts	
接插件针数	Number Of Contacts	5
依据 EN 61 984 的电气数据	Electrical Data Acc. To EN 61 984	
-工作电流	-Rated Current	16A
-工作电压	-Rated Voltage	400V
-额定脉冲电压	-Rated Impulse Voltage	6kV
-污染程度	-Pollution Degree	3
依据UL的额定电压	Rated Voltage Acc. to UL	600V
绝缘电阻	Insulation Resistance	$\geq 10^{10} \Omega$
材料	Material	聚碳酸酯 Polycarbonate
工作温度范围	Limiting Temperatures	-40°C...+125°C
依据UL 94的阻燃等级	Flammability Acc. to UI94	V0
可拔插次数	Mechanical Working Life-mating Cycles	$\geq 500$
插针	Contacts	
材料	Material	铜合金 Copper Alloy
表面处理	Surface	镀银 Hard-silver Plated
接触电阻	Contact Resistance	$\leq 3m\Omega$
弹片连接	Cage Clamp Terminal	
- mm <sup>2</sup>	- mm <sup>2</sup>	0.14-2.5mm <sup>2</sup>
-AWG	-AWG	26-14

**电流负载能力 Current Carrying Capacity**  
电流负载能力所受的限制主要来自包含接插针的接插体可承受的最大温度  
测试和控制过程依据 DIN EN 60512-5  
The current carrying is limited by maximum temperature of materials for Inserts and contacts including terminals.  
Measuring and testing techniques according to DIN EN 60512-5



- ① 24 B外壳带6个模块, 导线截面:2.5mm<sup>2</sup>
- ② 24 B外壳带6个模块, 导线截面:1.5mm<sup>2</sup>
- ① 24 B hoods/housings with 6 modules, wire gauge:2.5mm<sup>2</sup>
- ② 24 B hoods/housings with 6 modules, wire gauge:1.5mm<sup>2</sup>

冷压连接 Crimp Terminal

	插芯 Inserts	型号 Type	
	公 Male	KME-005-MS	
	母 Female	KME-005-FS	



► KME-006 冷压型模块 Crimp Module 500V 16A

插芯 Inserts

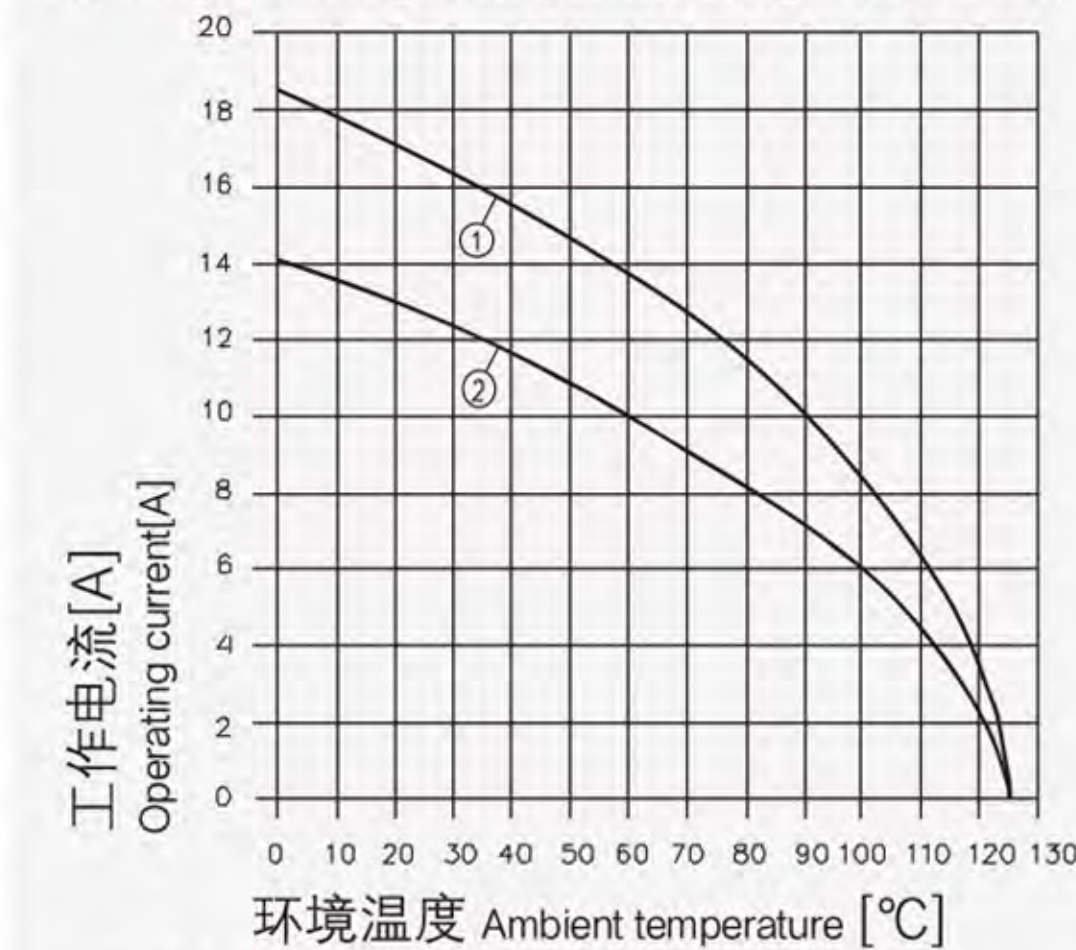


可与框架及其他所有模块产品组合使用  
Combination with hinged frame and other modules possible.

技术参数 Technical Characteristics

规范	Specifications	DIN EN 60 664
规范	Specifications	DIN EN 61 984
插芯	Inserts	
接插件件数	Number Of Contacts	6
依据 EN 61 984 的电气数据	Electrical Data Acc. To EN 61 984	
-工作电流	-Rated Current	16A
-工作电压	-Rated Voltage	500V
-额定脉冲电压	-Rated Impulse Voltage	8kV
-污染程度	-Pollution Degree	3
依据UL/CSA的额定电压	Rated Voltage Acc. to UL/CSA	600V
绝缘电阻	Insulation Resistance	$\geq 10^{10} \Omega$
材料	Material	聚碳酸酯 Polycarbonate
工作温度范围	Limiting Temperatures	-40°C...+125°C
依据UL 94的阻燃等级	Flammability Acc. to UL94	V0
可拔插次数	Mechanical Working Life-mating Cycles	$\geq 500$
插针	Contacts	
材料	Material	铜合金 Copper Alloy
表面处理	Surface	镀银 Hard-silver Plated 镀金 Hard-gold Plated
接触电阻	Contact Resistance	$\leq 1m\Omega$
冷压连接	Cage Clamp Terminal	
- mm <sup>2</sup>	- mm <sup>2</sup>	0.14-4mm <sup>2</sup>
-AWG	-AWG	26-12

**电流负载能力 Current Carrying Capacity**  
电流负载能力所受的限制主要来自包含接插针的接插体可承受的最大温度  
测试和控制过程依据 DIN EN 60512-5  
The current carrying is limited by maximum temperature of materials for Inserts and contacts including terminals.  
Measuring and testing techniques according to DIN EN 60512-5

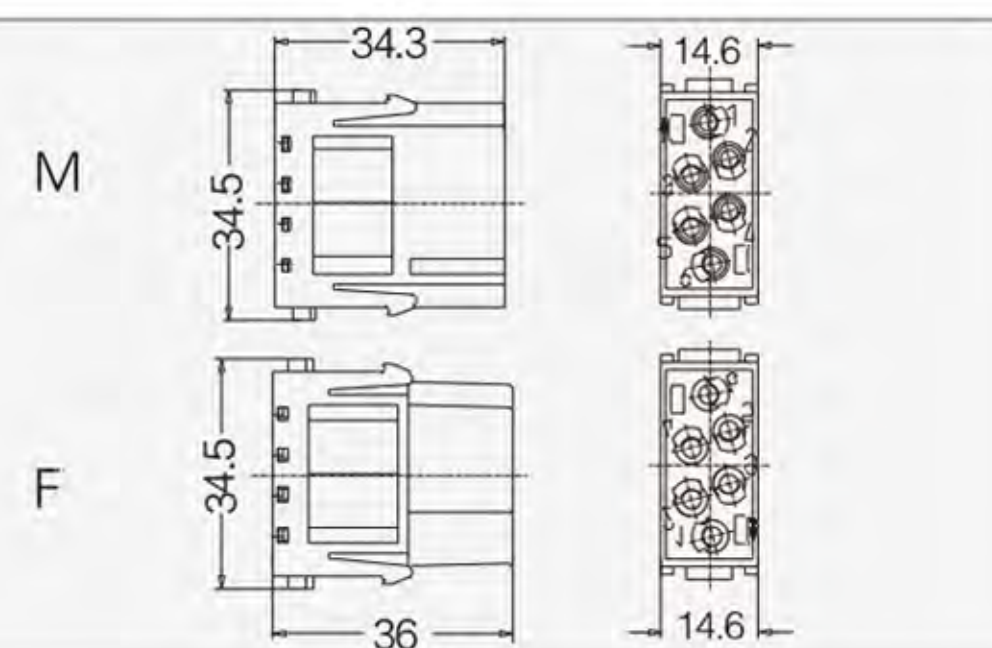


- ① 24 B外壳带6个模块, 导线截面:2.5mm<sup>2</sup>
- ② 24 B外壳带6个模块, 导线截面:1.5mm<sup>2</sup>
- ① 24 B hoods/housings with 6 modules, wire gauge:2.5mm<sup>2</sup>
- ② 24 B hoods/housings with 6 modules, wire gauge:1.5mm<sup>2</sup>

冷压连接 Crimp Terminal



插芯 Inserts	型号 Type
公 Male	KME-006-MC
母 Female	KME-006-FC



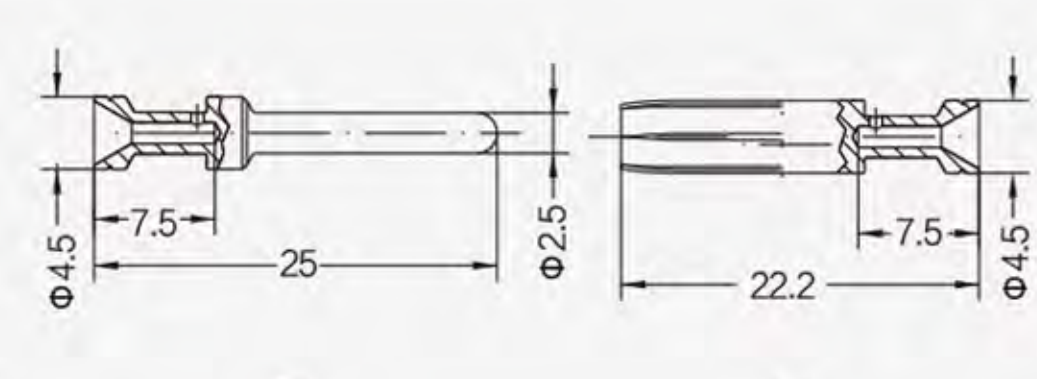
附件 Accessories

16A 冷压针 Crimp contacts

接触电阻 Contact resistance  $\leq 1m\Omega$   
镀银 Silver plated



公 Male	母 Female
KF-16A-SM-0.37	KF-16A-SF-0.37
KF-16A-SM-0.5	KF-16A-SF-0.5
KF-16A-SM-0.75	KF-16A-SF-0.75
KF-16A-SM-1.0	KF-16A-SF-1.0
KF-16A-SM-1.5	KF-16A-SF-1.5
KF-16A-SM-2.5	KF-16A-SF-2.5
KF-16A-SM-3.0	KF-16A-SF-3.0
KF-16A-SM-4.0	KF-16A-SF-4.0



标示 Identification	线规 Wire gauge	剥线长度 Stripping length
no groove	0.14-0.37mm <sup>2</sup> AWG 26-22	7.5mm
no groove	0.5mm <sup>2</sup> AWG 20	7.5mm
1 groove	0.75mm <sup>2</sup> AWG 18	7.5mm
1 groove	1.1mm <sup>2</sup> AWG 18	7.5mm
2 groove	1.5mm <sup>2</sup> AWG 16	7.5mm
3 groove	2.5mm <sup>2</sup> AWG 14	7.5mm
wide groove	3mm <sup>2</sup> AWG 12	7.5mm
no groove	4mm <sup>2</sup> AWG 12	7.5mm

镀金 Gold plated



KF-16A-GM-0.37	KF-16A-GF-0.37
KF-16A-GM-0.5	KF-16A-GF-0.5
KF-16A-GM-0.75	KF-16A-GF-0.75
KF-16A-GM-1.0	KF-16A-GF-1.0
KF-16A-GM-1.5	KF-16A-GF-1.5
KF-16A-GM-2.5	KF-16A-GF-2.5
KF-16A-GM-4.0	KF-16A-GF-4.0

工具 Tools

冷压钳  
Crimping tool



压接线径 Wire gauge	型号 Type
0.5-4mm <sup>2</sup>	TL02G

压接线径: 0.14-0.37mm<sup>2</sup>请选择TL02冷压钳  
Wire gauge: 0.14-0.37mm<sup>2</sup> please select TL02 Crimping tool

退针器  
Removal tool



适用类型 For	型号 Type
16A 冷压针 Crimp contacts	TL01

► KVME-006 防护型模块 Protected Module 830V 16A

插芯 Inserts

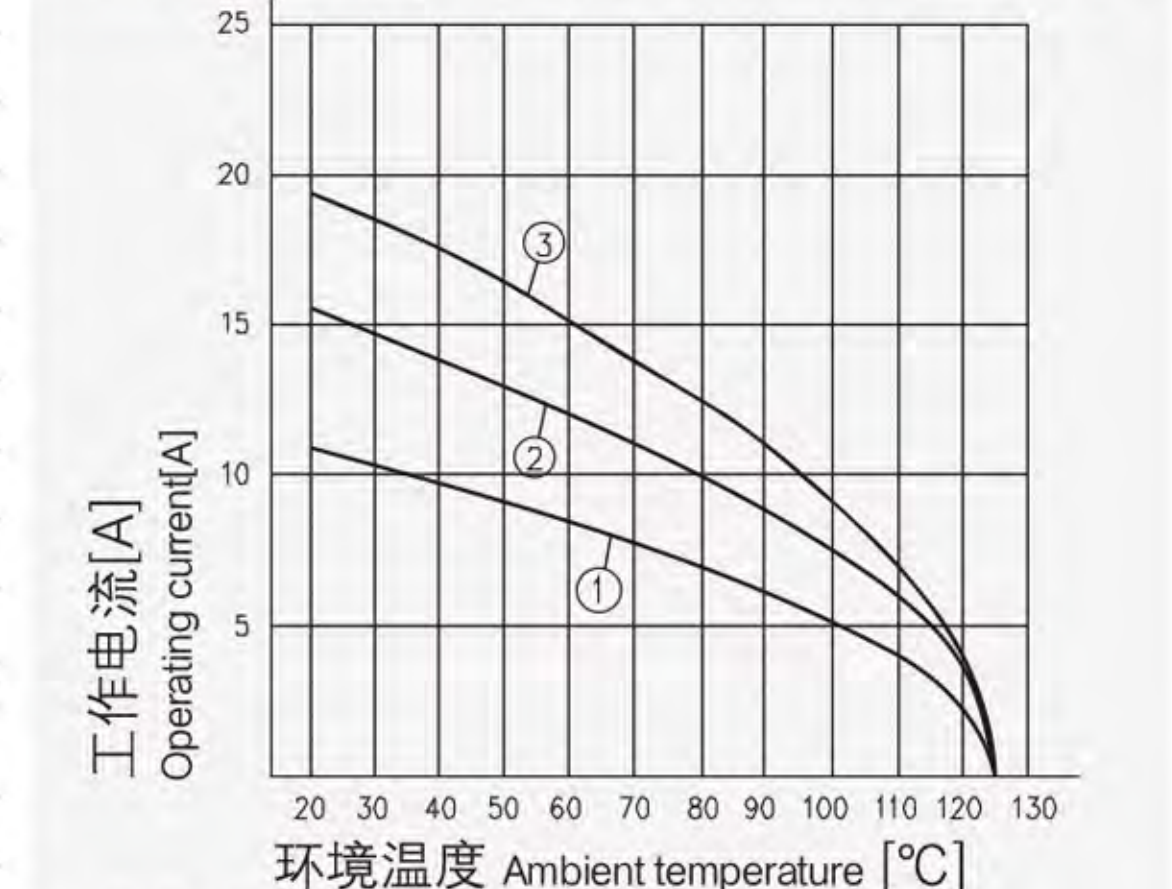


可与框架及其他所有模块产品组合使用  
Combination with hinged frame and other modules possible.

技术参数 Technical Characteristics

规范	Specifications	DIN EN 60 664
规范	Specifications	DIN EN 61 984
插芯	Inserts	
接插件件数	Number Of Contacts	6
依据 EN 61 984 的电气数据	Electrical Data Acc. To EN 61 984	
-工作电流	-Rated Current	16A
-工作电压	-Rated Voltage	830V
-额定脉冲电压	-Rated Impulse Voltage	8kV
-污染程度	-Pollution Degree	3
依据UL/CSA的额定电压	Rated Voltage Acc. to UL/CSA	600V
绝缘电阻	Insulation Resistance	$\geq 10^{10} \Omega$
材料	Material	聚碳酸酯 Polycarbonate
工作温度范围	Limiting Temperatures	-40°C...+125°C
依据UL 94的阻燃等级	Flammability Acc. to UL94	V0
可拔插次数	Mechanical Working Life-mating Cycles	$\geq 500$
插针	Contacts	
材料	Material	铜合金 Copper Alloy
表面处理	Surface	镀银 Hard-silver Plated 镀金 Hard-gold Plated
接触电阻	Contact Resistance	$\leq 1m\Omega$
冷压连接	Cage Clamp Terminal	
- mm <sup>2</sup>	- mm <sup>2</sup>	0.14-4mm <sup>2</sup>
-AWG	-AWG	26-12

**电流负载能力 Current Carrying Capacity**  
电流负载能力所受的限制主要来自包含接插针的接插体可承受的最大温度  
测试和控制过程依据 DIN EN 60512-5  
The current carrying is limited by maximum temperature of materials for Inserts and contacts including terminals.  
Measuring and testing techniques according to DIN EN 60512-5

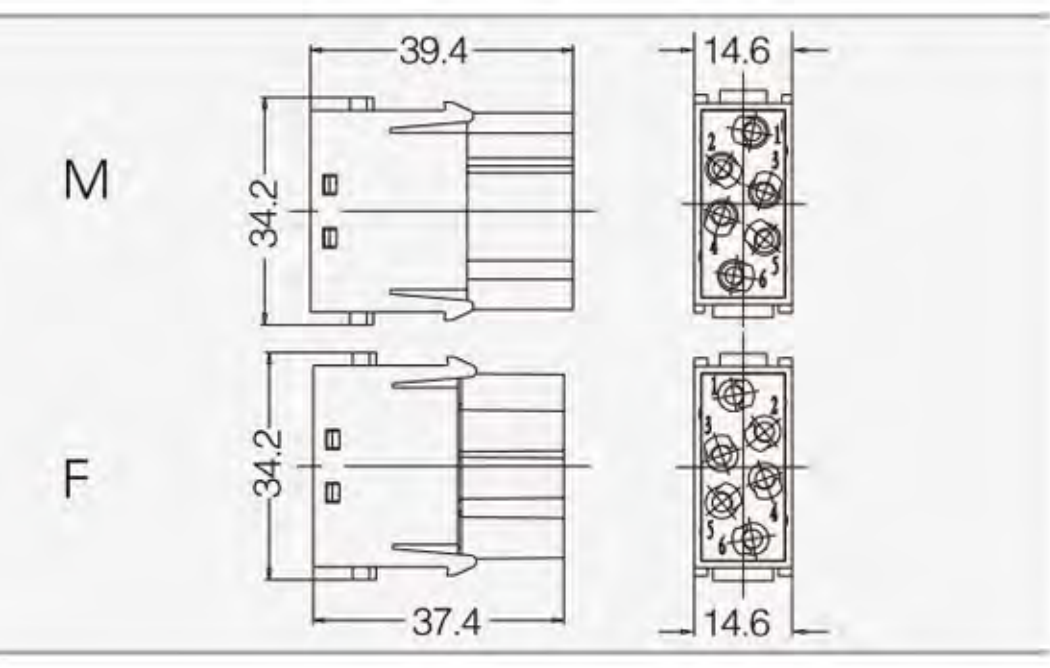


- ① 24 B外壳带6个模块, 导线截面:2.5mm<sup>2</sup>
- ② 24 B外壳带6个模块, 导线截面:1.5mm<sup>2</sup>
- ① 24 B hoods/housings with 6 modules, wire gauge:2.5mm<sup>2</sup>
- ② 24 B hoods/housings with 6 modules, wire gauge:1.5mm<sup>2</sup>

冷压连接 Crimp Terminal



插芯 Inserts	型号 Type
公 Male	KVME-006-MC
母 Female	KVME-006-FC



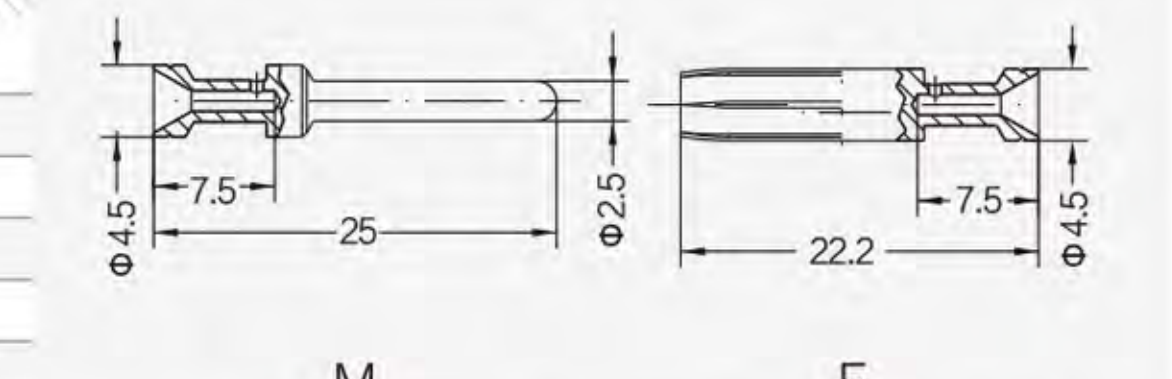
附件 Accessories

16A 冷压针 Crimp contacts

接触电阻 Contact resistance  $\leq 1m\Omega$   
镀银 Silver plated



公 Male	母 Female
KF-16A-SM-0.37	KF-16A-SF-0.37
KF-16A-SM-0.5	KF-16A-SF-0.5
KF-16A-SM-0.75	KF-16A-SF-0.75
KF-16A-SM-1.0	KF-16A-SF-1.0
KF-16A-SM-1.5	KF-16A-SF-1.5
KF-16A-SM-2.5	KF-16A-SF-2.5
KF-16A-SM-3.0	KF-16A-SF-3.0
KF-16A-SM-4.0	KF-16A-SF-4.0



标示 Identification	线规 Wire gauge	剥线长度 Stripping length
no groove	0.14-0.37mm <sup>2</sup> AWG 26-22	7.5mm
no groove	0.5mm <sup>2</sup> AWG 20	7.5mm
1 groove	0.75mm <sup>2</sup> AWG 18	7.5mm
1 groove	1.1mm <sup>2</sup> AWG 18	7.5mm
2 groove	1.5mm <sup>2</sup> AWG 16	7.5mm
3 groove	2.5mm <sup>2</sup> AWG 14	7.5mm
wide groove	3mm <sup>2</sup> AWG 12	7.5mm
no groove	4mm <sup>2</sup> AWG 12	7.5mm

镀金 Gold plated



KF-16A-GM-0.37	KF-16A-GF-0.37
KF-16A-GM-0.5	KF-16A-GF-0.5
KF-16A-GM-0.75	KF-16A-GF-0.75
KF-16A-GM-1.0	KF-16A-GF-1.0
KF-16A-GM-1.5	KF-16A-GF-1.5
KF-16A-GM-2.5	KF-16A-GF-2.5
KF-16A-GM-4.0	KF-16A-GF-4.0

工具 Tools

冷压钳  
Crimping tool



压接线径 Wire gauge	型号 Type
0.5-4mm <sup>2</sup>	TL02G

压接线径: 0.14-0.37mm<sup>2</sup>请选择TL02冷压钳  
Wire gauge: 0.14-0.37mm<sup>2</sup> please select TL02 Crimping tool

退针器  
Removal tool



适用类型 For	型号 Type
16A 冷压针 Crimp contacts	TL01



► KMEE-008 冷压型模块 Crimp Module 400V 16A

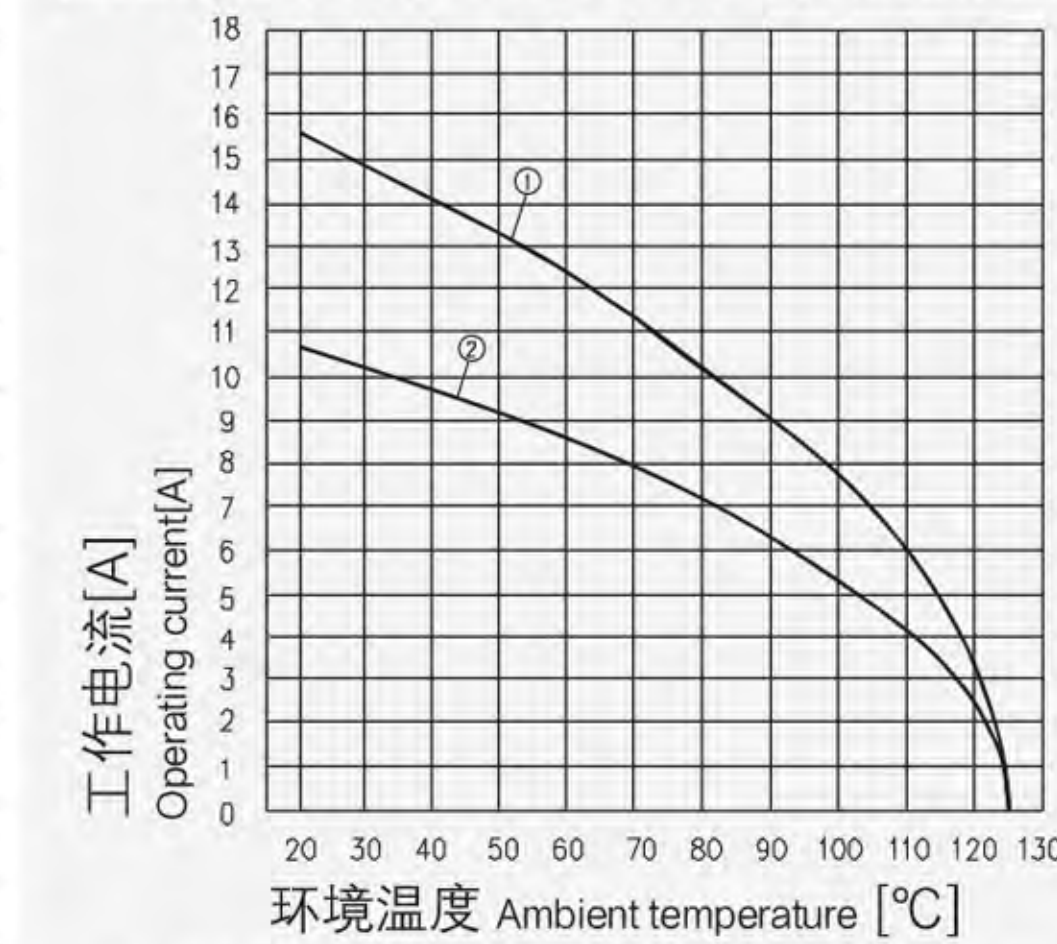
插芯 Inserts

可与框架及其他所有模块产品组合使用  
Combination with hinged frame and other modules possible.

技术参数 Technical Characteristics

规范	Specifications	
规范	Specifications	DIN EN 60 664 DIN EN 61 984
插芯	Inserts	
接插件针数	Number Of Contacts	8
依据 EN 61 984 的电气数据	Electrical Data Acc. To EN 61 984	
-工作电流	-Rated Current	16A
-工作电压	-Rated Voltage	400V
-额定脉冲电压	-Rated Impulse Voltage	6kV
-污染程度	-Pollution Degree	3
依据UL/CSA的额定电压	Rated Voltage Acc. to UL/CSA	600V
绝缘电阻	Insulation Resistance	≥10 <sup>10</sup> Ω
材料	Material	聚碳酸酯 Polycarbonate
工作温度范围	Limiting Temperatures	-40°C...+125°C
依据UL 94的阻燃等级	Flammability Acc. to UL94	V0
可拔插次数	Mechanical Working Life-mating Cycles	≥500
插针	Contacts	
材料	Material	铜合金 Copper Alloy
表面处理	Surface	镀银 Hard-silver Plated 镀金 Hard-gold Plated
接触电阻	Contact Resistance	≤1mΩ
冷压连接	Cage Clamp Terminal	
- mm <sup>2</sup>	- mm <sup>2</sup>	0.14-4mm <sup>2</sup>
-AWG	-AWG	26-12

**电流负载能力 Current Carrying Capacity**  
电流负载能力所受的限制主要来自包含接插针的接插体可承受的最大温度  
测试和控制过程依据 DIN EN 60512-5  
The current carrying is limited by maximum temperature of materials for Inserts and contacts including terminals.  
Measuring and testing techniques according to DIN EN 60512-5

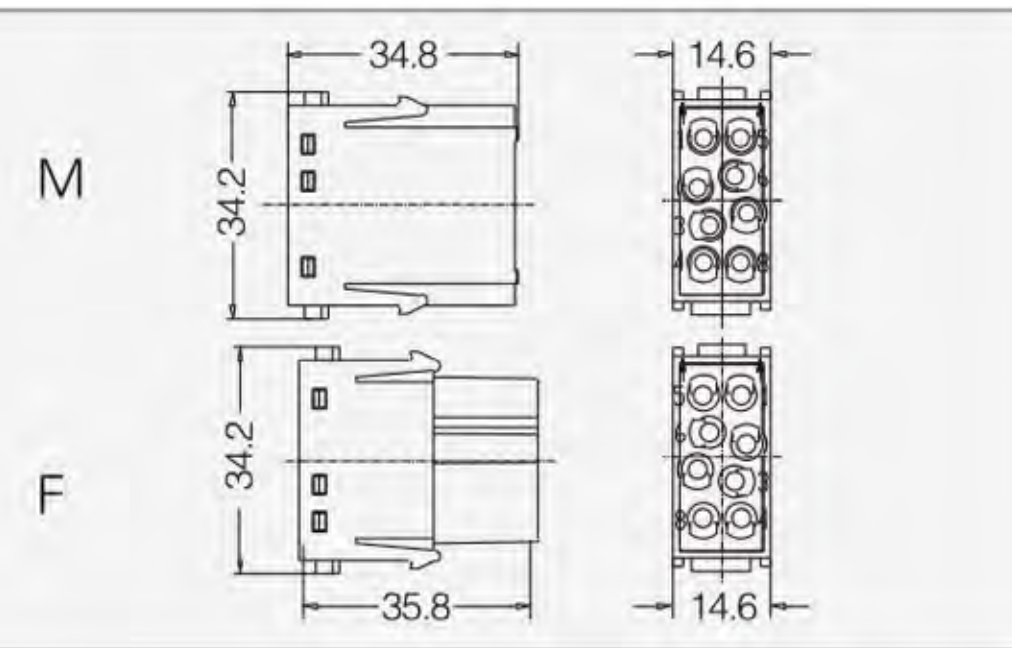


- ① 24 B外壳带3个模块, 导线截面:1.5mm<sup>2</sup>
- ② 24 B外壳带6个模块, 导线截面:1.5mm<sup>2</sup>
- ① 24 B housings with 3 modules, wire gauge:1.5mm<sup>2</sup>
- ② 24 B housings with 6 modules, wire gauge:1.5mm<sup>2</sup>

冷压连接 Crimp Terminal



插芯 Inserts	型号 Type
公 Male	KMEE-008-MC
母 Female	KMEE-008-FC



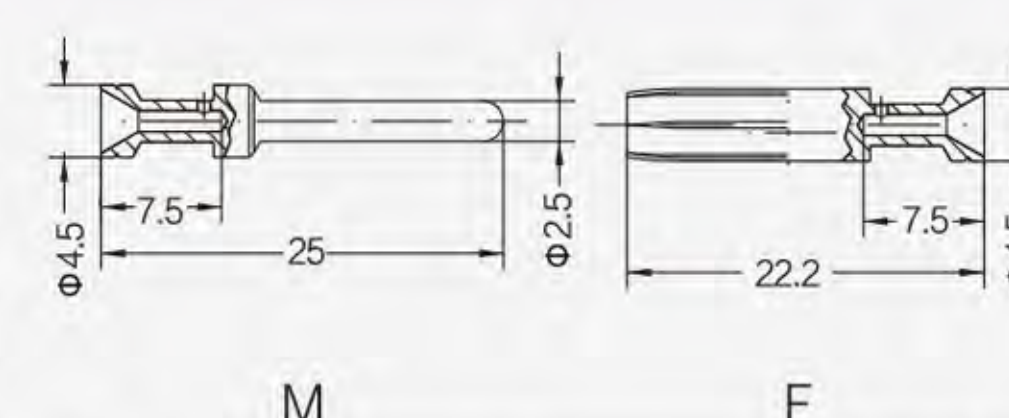
附件 Accessories

16A 冷压针 Crimp contacts

接触电阻 Contact resistance ≤1mΩ  
镀银 Silver plated



公 Male	母 Female
KF-16A-SM-0.37	KF-16A-SF-0.37
KF-16A-SM-0.5	KF-16A-SF-0.5
KF-16A-SM-0.75	KF-16A-SF-0.75
KF-16A-SM-1.0	KF-16A-SF-1.0
KF-16A-SM-1.5	KF-16A-SF-1.5
KF-16A-SM-2.5	KF-16A-SF-2.5
KF-16A-SM-3.0	KF-16A-SF-3.0
KF-16A-SM-4.0	KF-16A-SF-4.0



标示 Identification	线规 Wire gauge	剥线长度 Stripping length
no groove	0.14-0.37mm <sup>2</sup> AWG 26-22	7.5mm
no groove	0.5mm <sup>2</sup> AWG 20	7.5mm
1 groove	0.75mm <sup>2</sup> AWG 18	7.5mm
1 groove	1.0mm <sup>2</sup> AWG 18	7.5mm
2 groove	1.5mm <sup>2</sup> AWG 16	7.5mm
3 groove	2.5mm <sup>2</sup> AWG 14	7.5mm
wide groove	3mm <sup>2</sup> AWG 12	7.5mm
no groove	4mm <sup>2</sup> AWG 12	7.5mm

镀金 Gold plated



公 Male	母 Female
KF-16A-GM-0.37	KF-16A-GF-0.37
KF-16A-GM-0.5	KF-16A-GF-0.5
KF-16A-GM-0.75	KF-16A-GF-0.75
KF-16A-GM-1.0	KF-16A-GF-1.0
KF-16A-GM-1.5	KF-16A-GF-1.5
KF-16A-GM-2.5	KF-16A-GF-2.5
KF-16A-GM-3.0	KF-16A-GF-3.0

工具 Tools

冷压钳  
Crimping tool



压接线径 Wire gauge	型号 Type
0.5-4mm <sup>2</sup>	TL02G
压接线径: 0.14-0.37mm <sup>2</sup> 请选择TL02冷压钳 Wire gauge: 0.14-0.37mm <sup>2</sup> please select TL02 Crimping tool	

退针器  
Removal tool



适用类型 For	型号 Type
16A 冷压针 Crimp contacts	TL01

► K2MEE-020 冷压型模块 Crimp Module 500V 16A

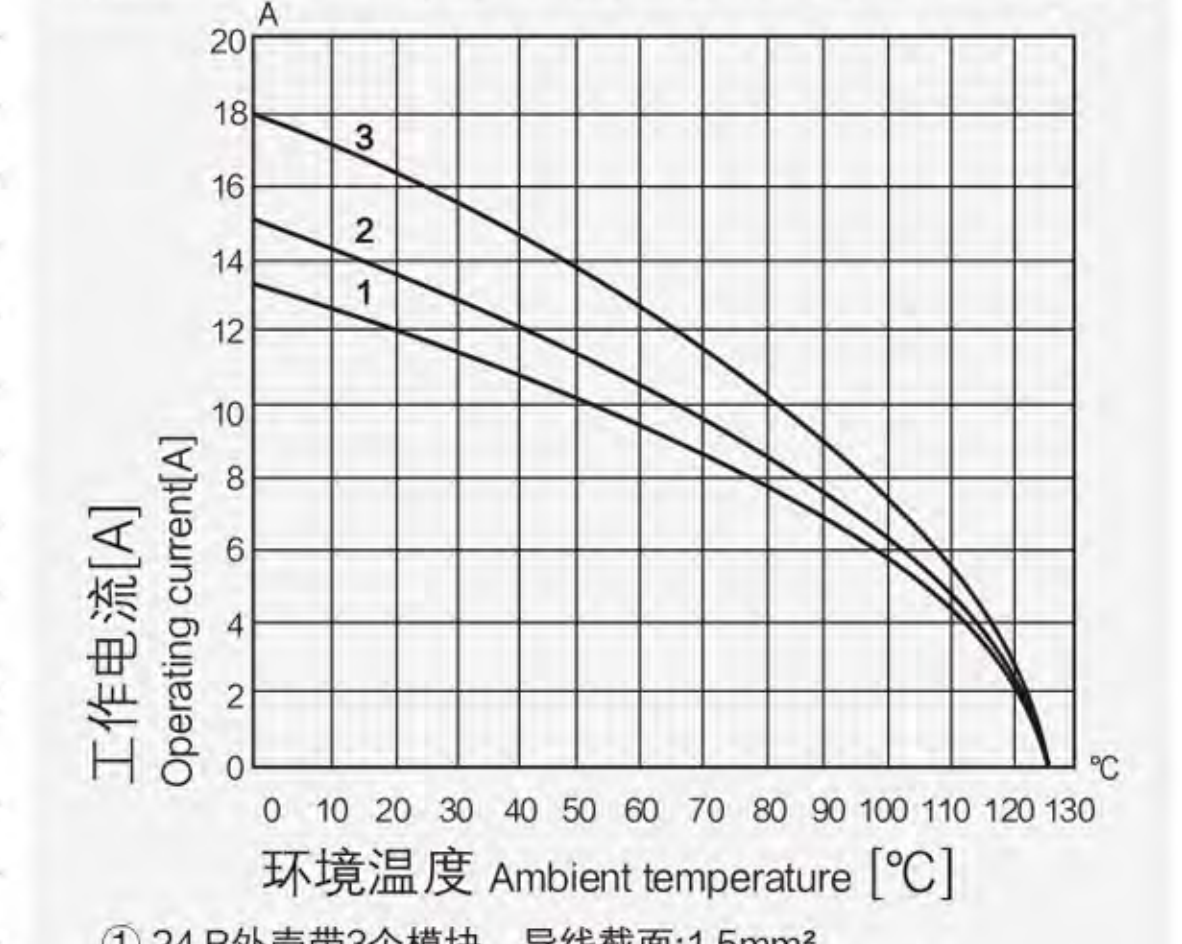
插芯 Inserts

可与框架及其他所有模块产品组合使用  
Combination with hinged frame and other modules possible.

技术参数 Technical Characteristics

规范	Specifications	
规范	Specifications	DIN EN 60 664 DIN EN 61 984
插芯	Inserts	
接插件针数	Number Of Contacts	20
依据 EN 61 984 的电气数据	Electrical Data Acc. To EN 61 984	
-工作电流	-Rated Current	16A
-工作电压	-Rated Voltage	500V
-额定脉冲电压	-Rated Impulse Voltage	6kV
-污染程度	-Pollution Degree	3
依据UL/CSA的额定电压	Rated Voltage Acc. to UL/CSA	600V
绝缘电阻	Insulation Resistance	≥10 <sup>10</sup> Ω
材料	Material	聚碳酸酯 Polycarbonate
工作温度范围	Limiting Temperatures	-40°C...+125°C
依据UL 94的阻燃等级	Flammability Acc. to UL94	V0
可拔插次数	Mechanical Working Life-mating Cycles	≥500
插针	Contacts	
材料	Material	铜合金 Copper Alloy
表面处理	Surface	镀银 Hard-silver Plated 镀金 Hard-gold Plated
接触电阻	Contact Resistance	≤1mΩ
冷压连接	Cage Clamp Terminal	
- mm <sup>2</sup>	- mm <sup>2</sup>	0.14-4mm <sup>2</sup>
-AWG	-AWG	26-12

**电流负载能力 Current Carrying Capacity**  
电流负载能力所受的限制主要来自包含接插针的接插体可承受的最大温度  
测试和控制过程依据 DIN EN 60512-5  
The current carrying is limited by maximum temperature of materials for Inserts and contacts including terminals.  
Measuring and testing techniques according to DIN EN 60512-5

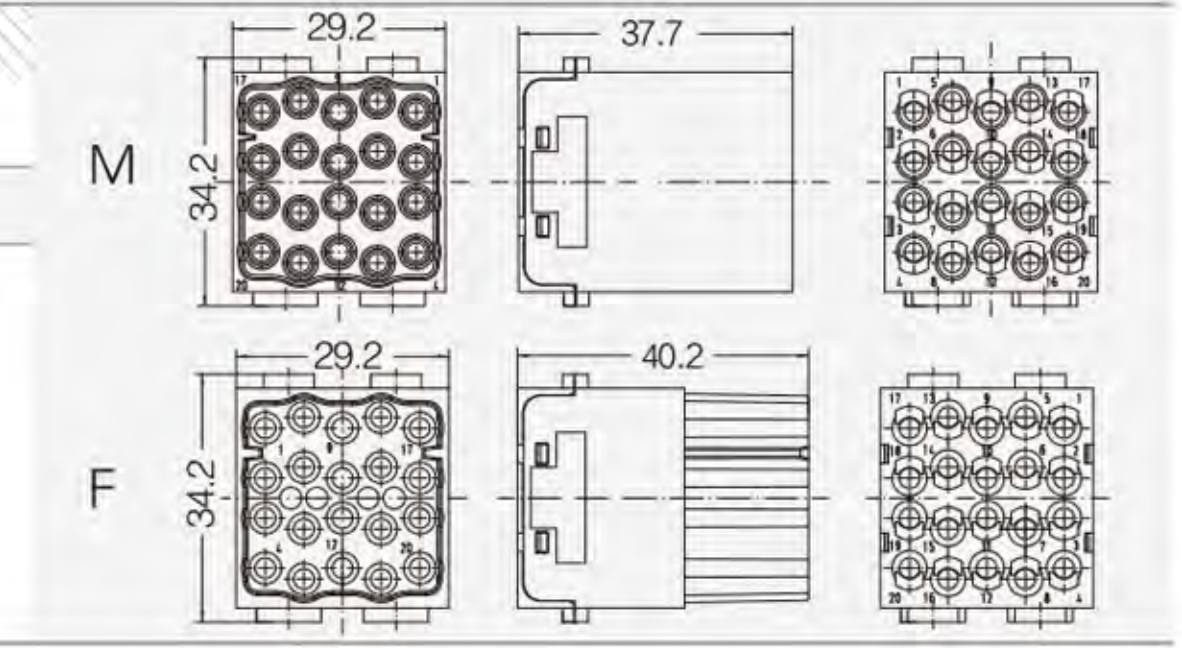


- ① 24 B外壳带3个模块, 导线截面:1.5mm<sup>2</sup>
- ② 24 B外壳带6个模块, 导线截面:1.5mm<sup>2</sup>
- ③ 24 B外壳带3个模块, 导线截面:4.0mm<sup>2</sup>
- ① 24 B housings with 3 modules, wire gauge:1.5mm<sup>2</sup>
- ② 24 B housings with 6 modules, wire gauge:1.5mm<sup>2</sup>
- ③ 24 B housings with 3 modules, wire gauge:4.0mm<sup>2</sup>

冷压连接 Crimp Terminal



插芯 Inserts	型号 Type
公 Male	K2MEE-020-MC
母 Female	K2MEE-020-FC



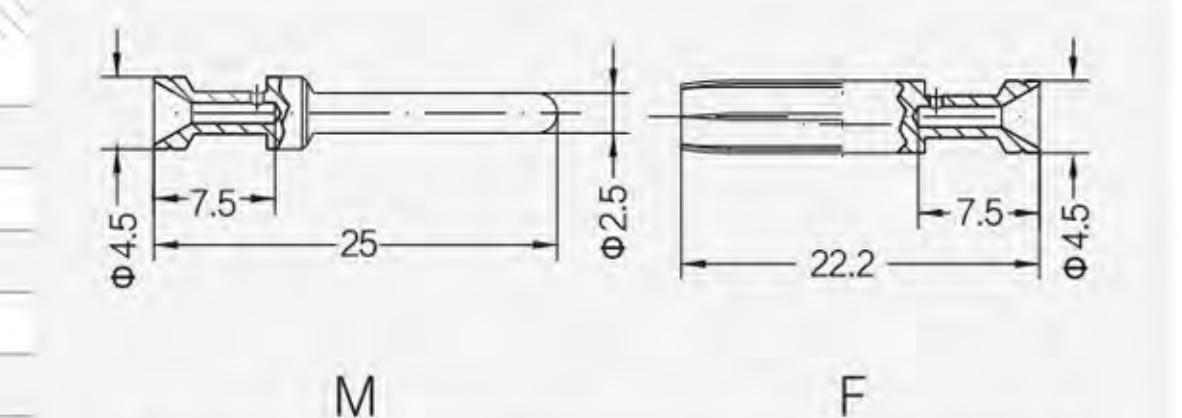
附件 Accessories

16A 冷压针 Crimp contacts

接触电阻 Contact resistance ≤1mΩ  
镀银 Silver plated



公 Male	母 Female
KF-16A-SM-0.37	KF-16A-SF-0.37
KF-16A-SM-0.5	KF-16A-SF-0.5
KF-16A-SM-0.75	KF-16A-SF-0.75
KF-16A-SM-1.0	KF-16A-SF-1.0
KF-16A-SM-1.5	KF-16A-SF-1.5
KF-16A-SM-2.5	KF-16A-SF-2.5
KF-16A-SM-3.0	KF-16A-SF-3.0
KF-16A-SM-4.0	KF-16A-SF-4.0



镀金 Gold plated



公 Male	母 Female
KF-16A-GM-0.37	KF-16A-GF-0.37
KF-16A-GM-0.5	KF-16A-GF-0.5
KF-16A-GM-0.75	KF-16A-GF-0.75
KF-16A-GM-1.0	KF-16A-GF-1.0
KF-16A-GM-1.5	KF-16A-GF-1.5
KF-16A-GM-2.5	KF-16A-GF-2.5
KF-16A-GM-3.0	KF-16A-GF-3.0

工具 Tools

冷压钳  
Crimping tool



压接线径 Wire gauge	型号 Type
0.5-4mm <sup>2</sup>	TL02G
压接线径: 0.14-0.37mm <sup>2</sup> 请选择TL02冷压钳 Wire gauge: 0.14-0.37mm <sup>2</sup> please select TL02 Crimping tool	

退针器  
Removal tool



适用类型 For	型号 Type
16A 冷压针 Crimp contacts	TL01



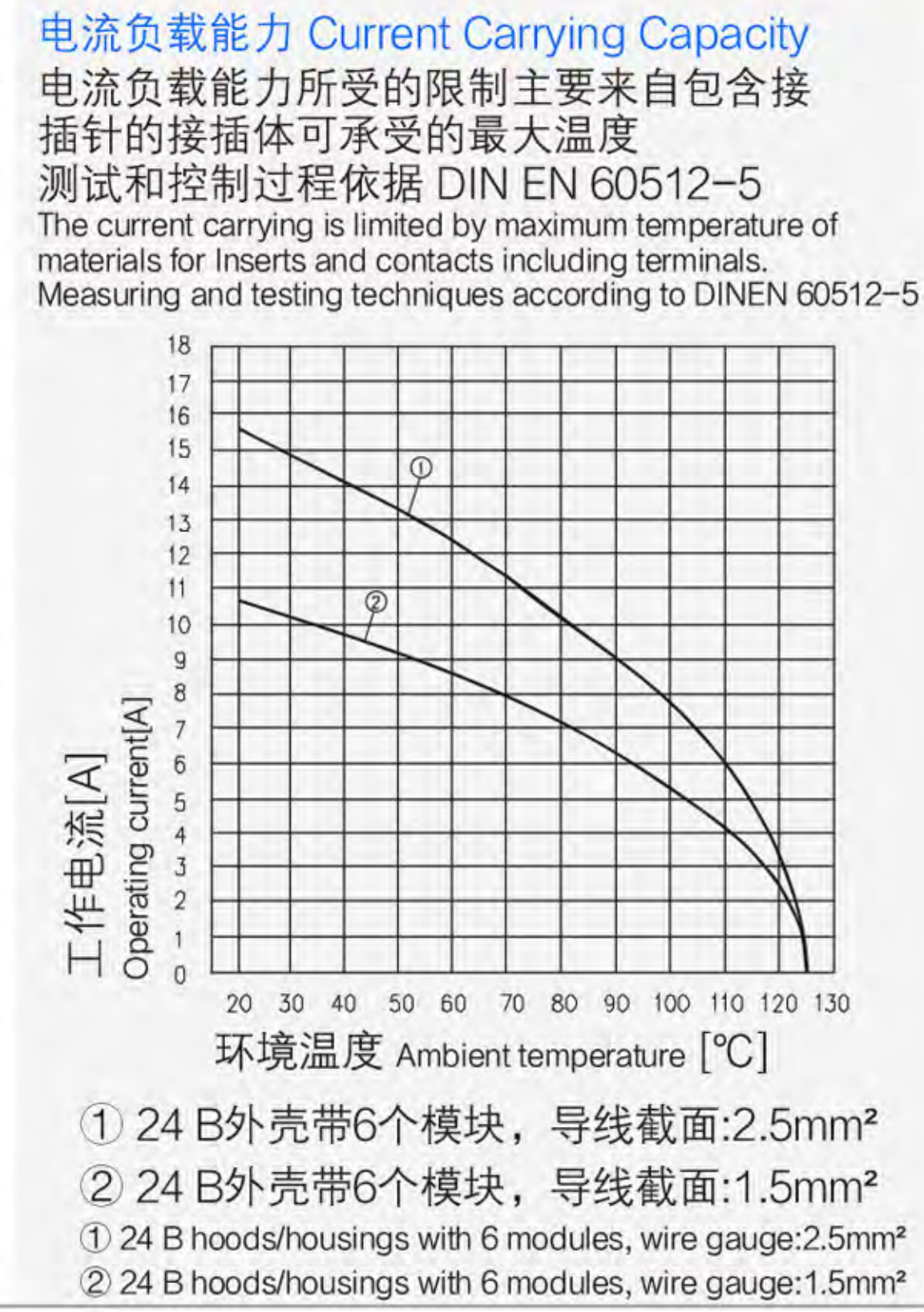
► KMD-012 冷压型模块 Crimp Module 250V 10A

插芯 Inserts

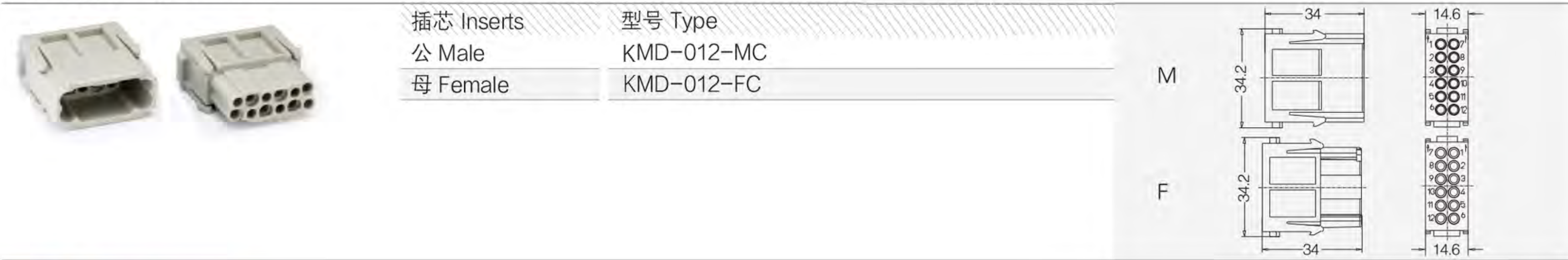
可与框架及其他所有模块产品组合使用  
Combination with hinged frame and other modules possible.

技术参数 Technical Characteristics

规范	Specifications	DIN EN 60 664
规范	Specifications	DIN EN 61 984
插芯	Inserts	
接插件针数	Number Of Contacts	12
依据 EN 61 984 的电气数据	Electrical Data Acc. To EN 61 984	
-工作电流	-Rated Current	10A
-工作电压	-Rated Voltage	250V
-额定脉冲电压	-Rated Impulse Voltage	4kV
-污染程度	-Pollution Degree	3
依据UL/CSA的额定电压	Rated Voltage Acc. to UL/CSA	600V
绝缘电阻	Insulation Resistance	≥10 <sup>10</sup> Ω
材料	Material	聚碳酸酯 Polycarbonate
工作温度范围	Limiting Temperatures	-40°C...+125°C
依据UL 94的阻燃等级	Flammability Acc. to UL94	V0
可拔插次数	Mechanical Working Life-mating Cycles	≥500
插针	Contacts	
材料	Material	铜合金 Copper Alloy
表面处理	Surface	镀银 Hard-silver Plated 镀金 Hard-gold Plated
接触电阻	Contact Resistance	≤3mΩ
冷压连接	Cage Clamp Terminal	
- mm <sup>2</sup>	- mm <sup>2</sup>	0.14-2.5mm <sup>2</sup>
-AWG	-AWG	26-14



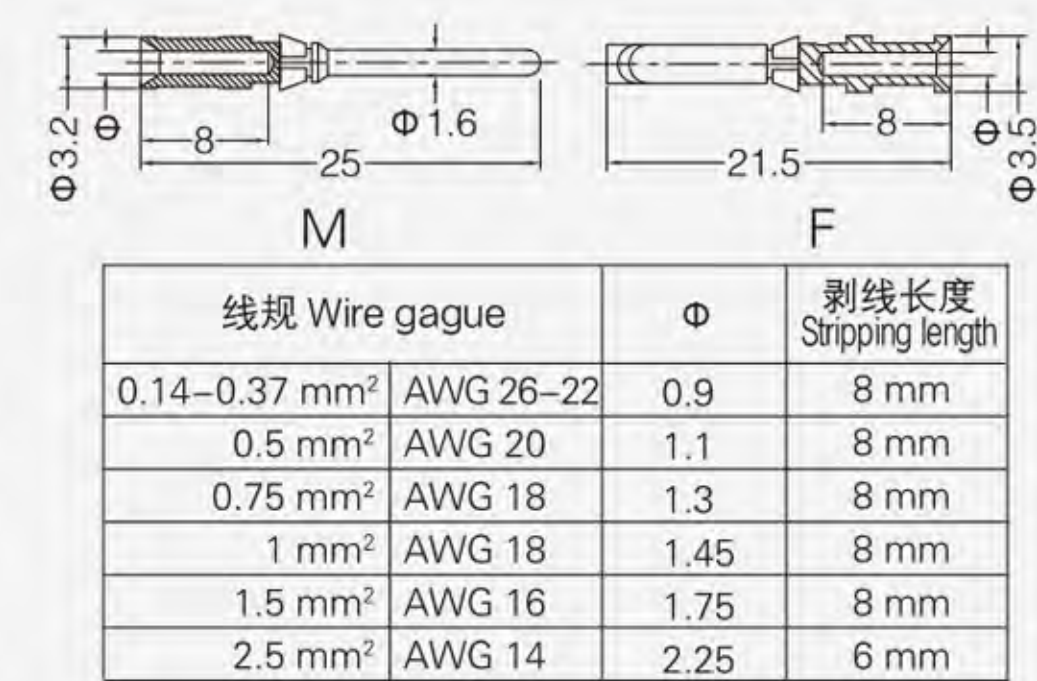
冷压连接 Crimp Terminal



附件 Accessories

10A 冷压针 Crimp contacts

接触电阻 Contact resistance ≤3mΩ	公 Male	母 Female
镀银 Silver plated	KF-10A-SM-0.37	KF-10A-SF-0.37
	KF-10A-SM-0.5	KF-10A-SF-0.5
	KF-10A-SM-0.75	KF-10A-SF-0.75
	KF-10A-SM-1.0	KF-10A-SF-1.0
	KF-10A-SM-1.5	KF-10A-SF-1.5
	KF-10A-SM-2.5	KF-10A-SF-2.5
镀金 Gold plated	KF-10A-GM-0.37	KF-10A-GF-0.37
	KF-10A-GM-0.5	KF-10A-GF-0.5
	KF-10A-GM-0.75	KF-10A-GF-0.75
	KF-10A-GM-1.0	KF-10A-GF-1.0
	KF-10A-GM-1.5	KF-10A-GF-1.5
	KF-10A-GM-2.5	KF-10A-GF-2.5



工具 Tools

冷压钳 Crimping tool	压接线径 Wire gauge	型号 Type
	0.14-4mm <sup>2</sup>	TL02G
退针器 Removal tool	适用类型 For	型号 Type
	10A 冷压针 Crimp contacts	TL00

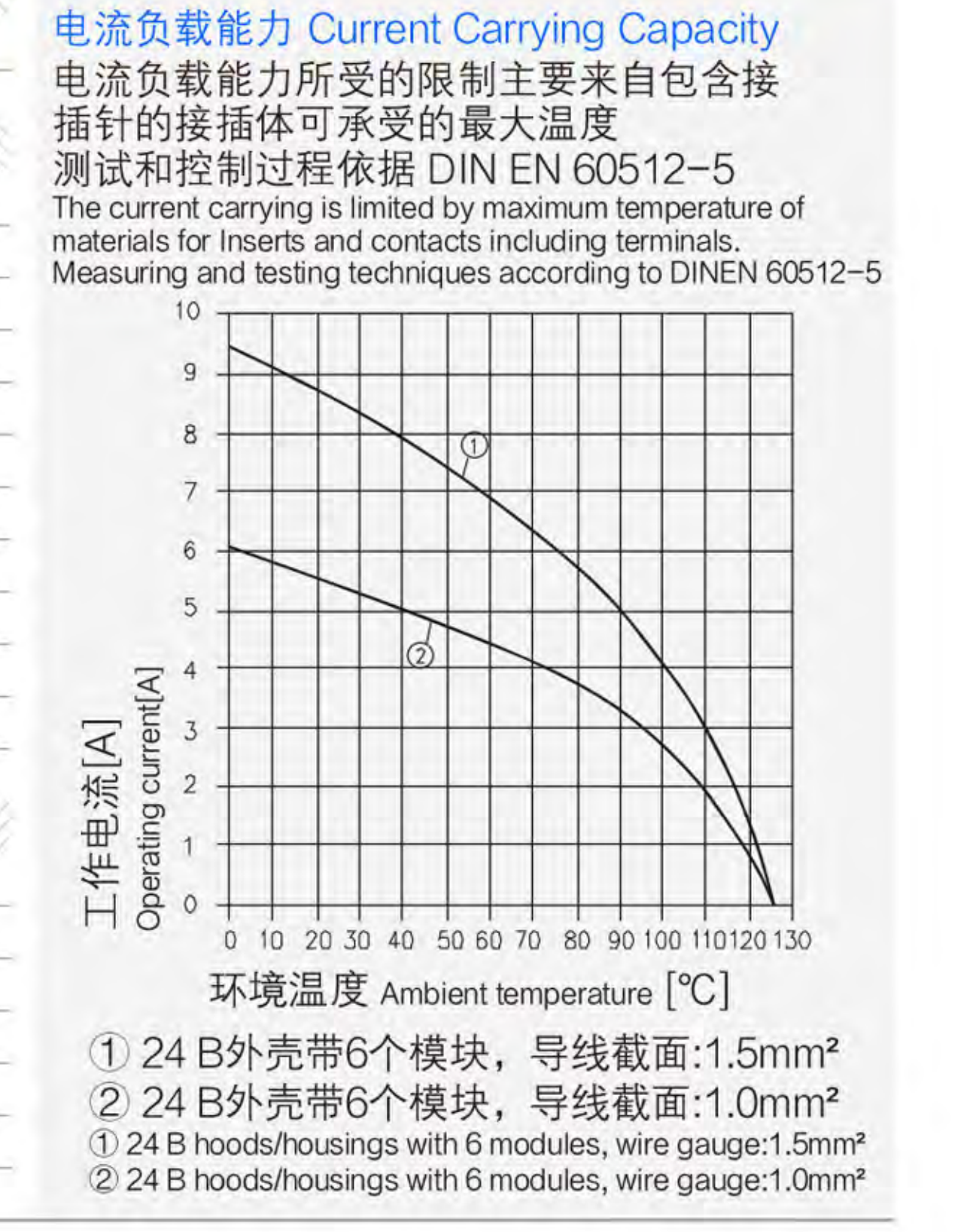
► KMD-017 冷压型模块 Crimp Module 160V 10A

插芯 Inserts

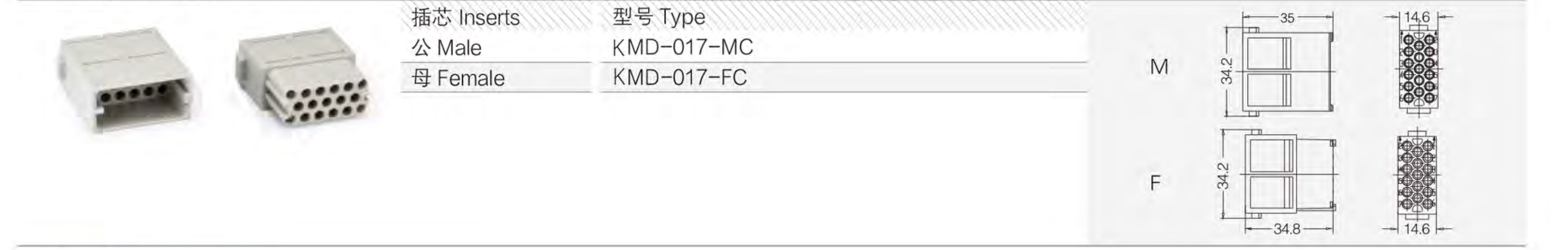
可与框架及其他所有模块产品组合使用  
Combination with hinged frame and other modules possible.

技术参数 Technical Characteristics

规范	Specifications	DIN EN 60 664
规范	Specifications	DIN EN 61 984
插芯	Inserts	
接插件针数	Number Of Contacts	17
依据 EN 61 984 的电气数据	Electrical Data Acc. To EN 61 984	
-工作电流	-Rated Current	10A
-工作电压	-Rated Voltage	160V
-额定脉冲电压	-Rated Impulse Voltage	2.5kV
-污染程度	-Pollution Degree	3
依据UL/CSA的额定电压	Rated Voltage Acc. to UL/CSA	250V
绝缘电阻	Insulation Resistance	≥10 <sup>10</sup> Ω
材料	Material	聚碳酸酯 Polycarbonate
工作温度范围	Limiting Temperatures	-40°C...+125°C
依据UL 94的阻燃等级	Flammability Acc. to UL94	V0
可拔插次数	Mechanical Working Life-mating Cycles	≥500
插针	Contacts	
材料	Material	铜合金 Copper Alloy
表面处理	Surface	镀银 Hard-silver Plated 镀金 Hard-gold Plated
接触电阻	Contact Resistance	≤3mΩ
冷压连接	Cage Clamp Terminal	
- mm <sup>2</sup>	- mm <sup>2</sup>	0.14-2.5mm <sup>2</sup>
-AWG	-AWG	26-14



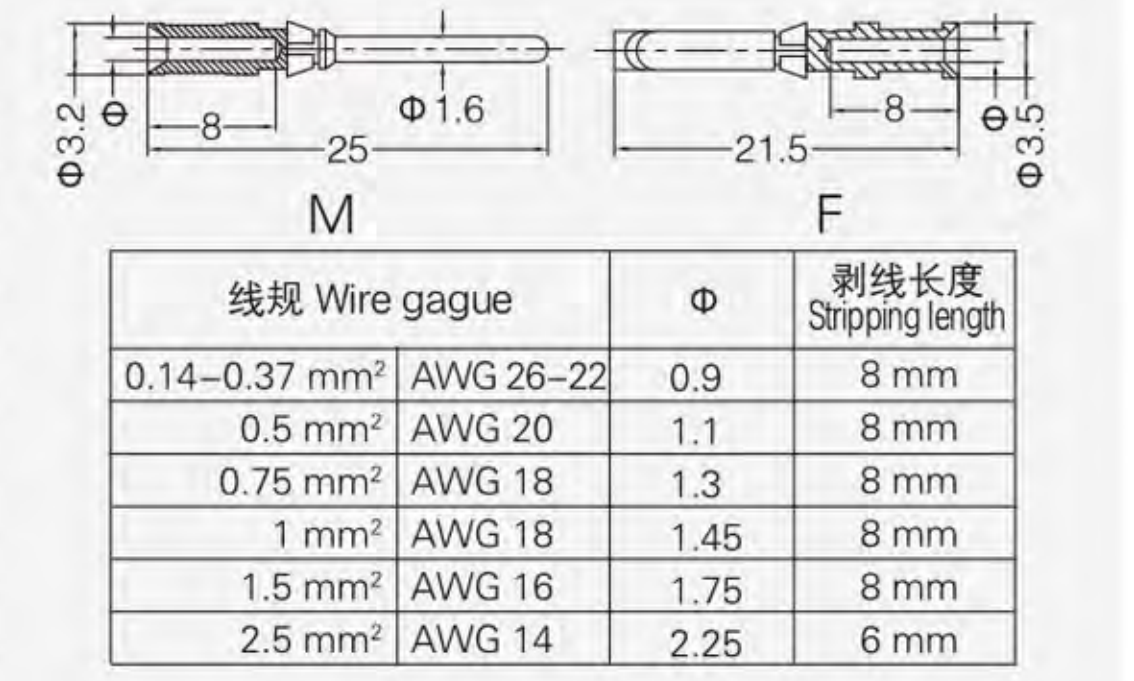
冷压连接 Crimp Terminal



附件 Accessories

10A 冷压针 Crimp contacts

接触电阻 Contact resistance ≤3mΩ	公 Male	母 Female
镀银 Silver plated	KF-10A-SM-0.37	KF-10A-SF-0.37
	KF-10A-SM-0.5	KF-10A-SF-0.5
	KF-10A-SM-0.75	KF-10A-SF-0.75
	KF-10A-SM-1.0	KF-10A-SF-1.0
	KF-10A-SM-1.5	KF-10A-SF-1.5
	KF-10A-SM-2.5	KF-10A-SF-2.5
镀金 Gold plated	KF-10A-GM-0.37	KF-10A-GF-0.37
	KF-10A-GM-0.5	KF-10A-GF-0.5
	KF-10A-GM-0.75	KF-10A-GF-0.75
	KF-10A-GM-1.0	KF-10A-GF-1.0
	KF-10A-GM-1.5	KF-10A-GF-1.5
	KF-10A-GM-2.5	KF-10A-GF-2.5



工具 Tools

冷压钳 Crimping tool	压接线径 Wire gauge	型号 Type
	0.14-4mm <sup>2</sup>	TL02G
退针器 Removal tool	适用类型 For	型号 Type
	10A 冷压针 Crimp contacts	TL00



► KMDS-009 D-Sub模块 Module 50V 5A

插芯 Inserts

 可与框架及其他所有模块产品组合使用  
Combination with hinged frame and other modules possible.

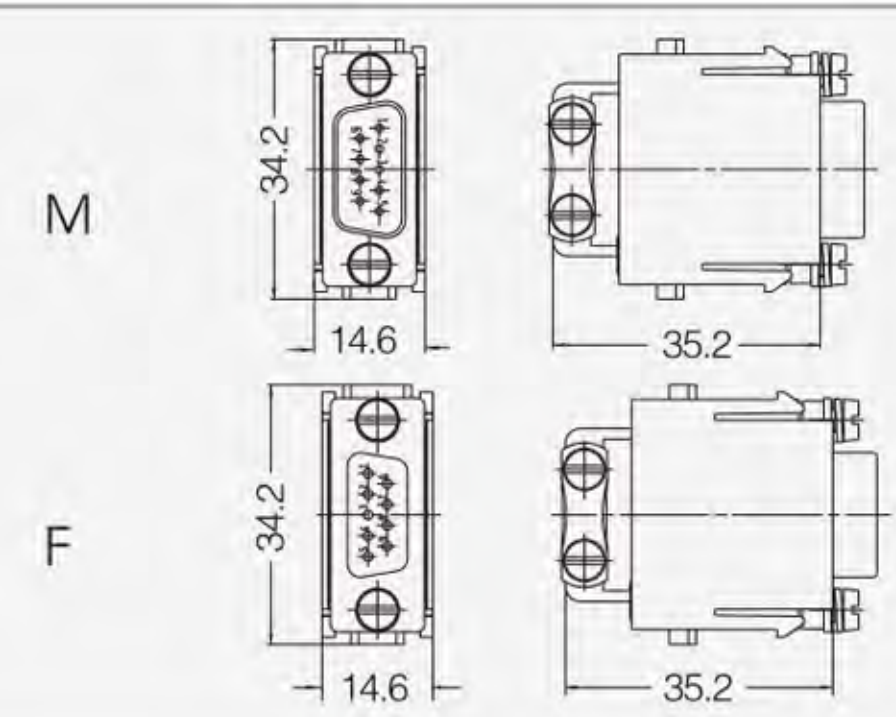
技术参数 Technical Characteristics

规范	Specifications	
规范	Specifications	DIN EN 60 664 DIN EN 61 984
插芯	Inserts	
接插件针数	Number Of Contacts	9
依据 EN 61 984的电气数据	Electrical Data Acc. To EN 61 984	
-工作电流	-Rated Current	5A
-工作电压	-Rated Voltage	50V
-额定脉冲电压	-Rated Impulse Voltage	0.8kV
-污染程度	-Pollution Degree	3
绝缘电阻	Insulation Resistance	≥ 10 <sup>10</sup> Ω
材料	Material	聚碳酸酯 Polycarbonate
工作温度范围	Limiting Temperatures	-40°C...+125°C
依据UL 94的阻燃等级	Flammability Acc. to UL94	V0
可拔插次数	Mechanical Working Life-mating Cycles	≥500
插针	Contacts	
材料	Material	铜合金 Copper Alloy
表面处理	Surface	镀银 Hard-silver Plated 镀金 Hard-gold Plated
接触电阻	Contact Resistance	≤3mΩ
冷压连接	Cage Clamp Terminal	
- mm <sup>2</sup>	- mm <sup>2</sup>	0.09-0.82mm <sup>2</sup>
-AWG	-AWG	28-18

冷压连接 Crimp Terminal



插芯 Inserts	型号 Type
公 Male	KMDS-009-MC
母 Female	KMDS-009-FC



附件 Accessories

5A 冷压针 Crimp contacts

接触电阻 Contact resistance ≤3mΩ  
镀银 Silver plated

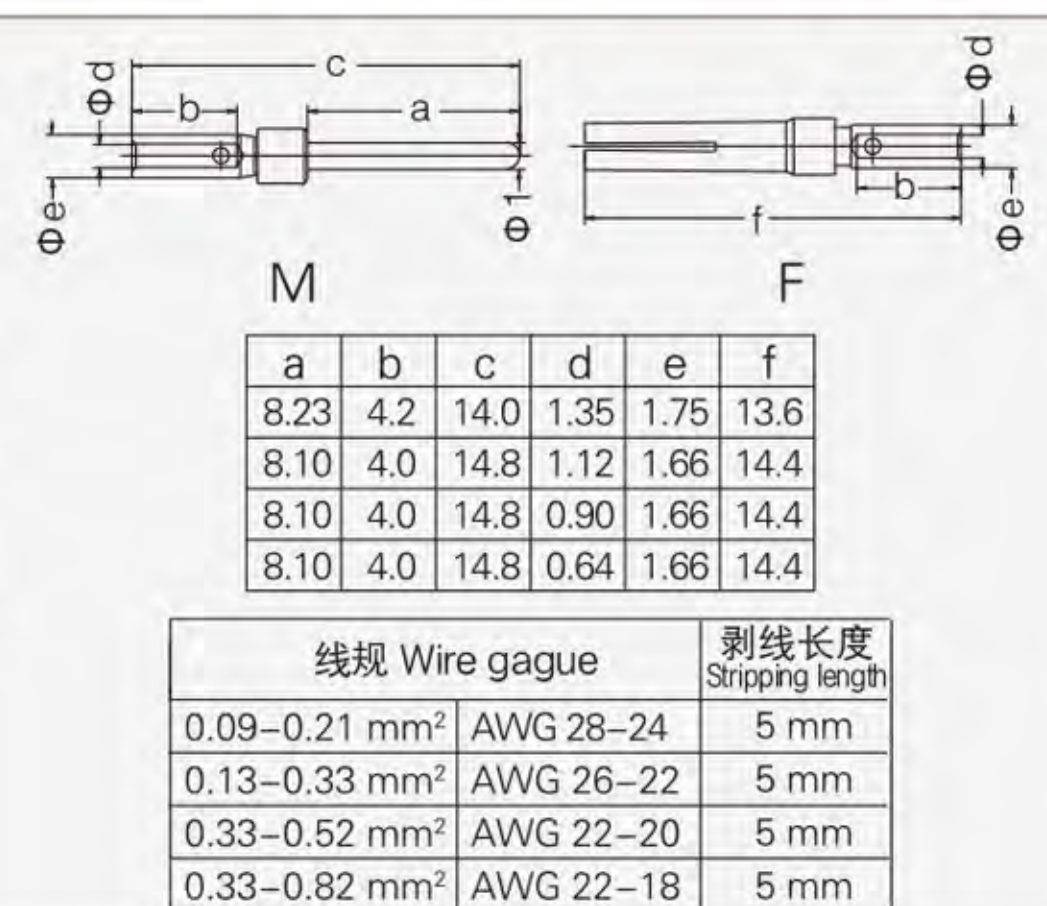


公 Male	母 Female
KF-5A-SM-0.25	KF-5A-SF-0.25
KF-5A-SM-0.33	KF-5A-SF-0.33
KF-5A-SM-0.52	KF-5A-SF-0.52
KF-5A-SM-0.82	KF-5A-SF-0.82

镀金 Gold plated



公 Male	母 Female
KF-5A-GM-0.25	KF-5A-GF-0.25
KF-5A-GM-0.33	KF-5A-GF-0.33
KF-5A-GM-0.52	KF-5A-GF-0.52
KF-5A-GM-0.82	KF-5A-GF-0.82



工具 Tools

冷压钳  
Crimping tool



压接线径 Wire gauge	型号 Type
0.09-0.82mm <sup>2</sup>	TL03

退针器  
Removal tool



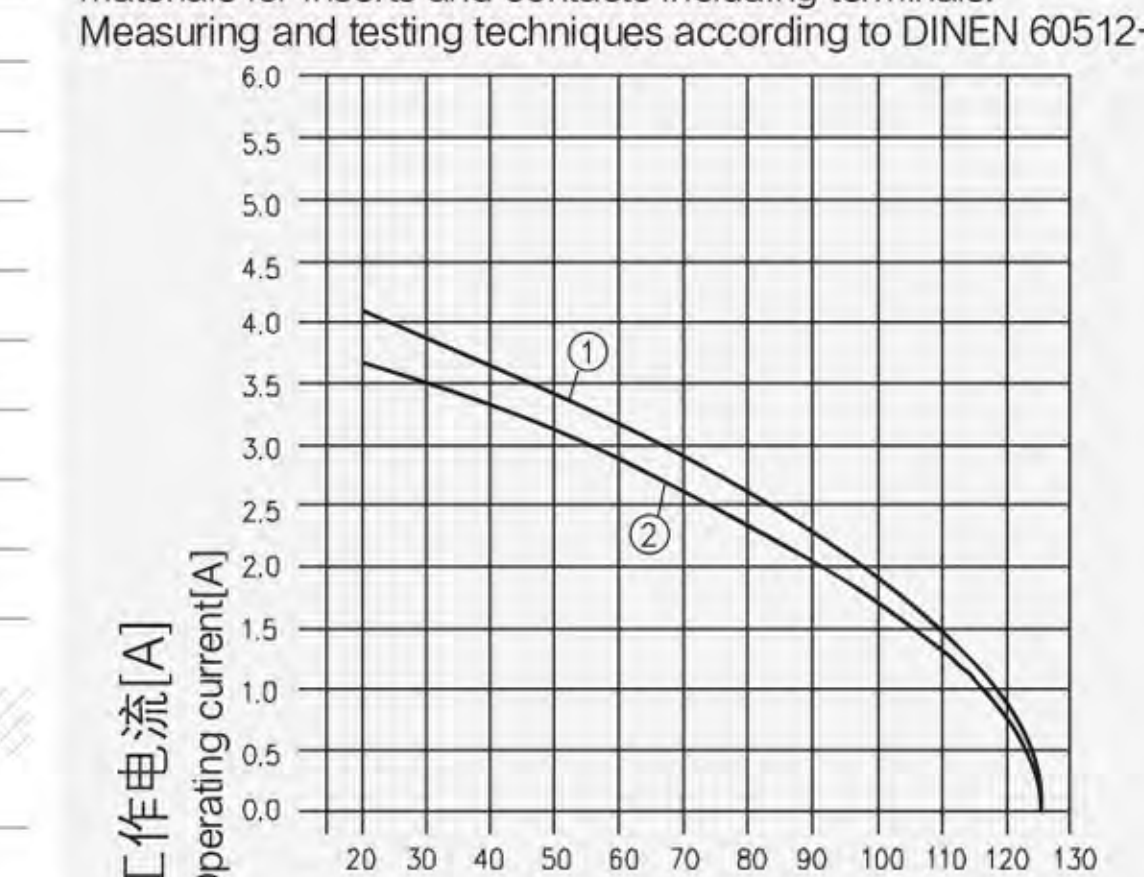
适用类型 For	型号 Type
5A 冷压针 Crimp contacts	TL08

► KMDS-025 高密度型模块 50V 4A

插芯 Inserts

 可与框架及其他所有模块产品组合使用  
Combination with hinged frame and other modules possible.

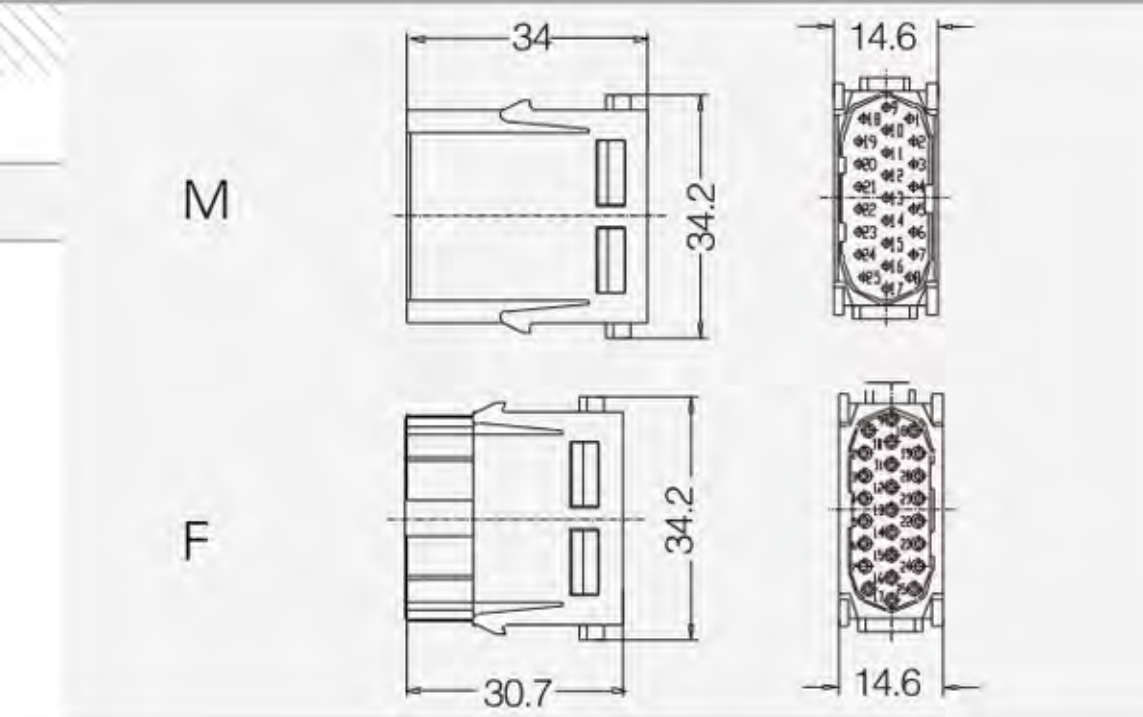
技术参数 Technical Characteristics

规范	Specifications		<p><b>电流负载能力 Current Carrying Capacity</b> 电流负载能力所受的限制主要来自包含接插针的接插体可承受的最大温度 测试和控制过程依据 DIN EN 60512-5 The current carrying is limited by maximum temperature of materials for Inserts and contacts including terminals. Measuring and testing techniques according to DIN EN 60512-5</p>  <p>① 24B外壳带6个模块，导线截面:0.5mm<sup>2</sup> (车削针) ② 24B外壳带6个模块，导线截面:0.5mm<sup>2</sup> (冲压针) ③ 24 B hoods/housings with 6 modules, wire gauge:1.5mm<sup>2</sup> (turned contacts) ④ 24 B hoods/housings with 6 modules, wire gauge:1.0mm<sup>2</sup> (stamped contacts)</p>
规范	Specifications	DIN EN 60 664 DIN EN 61 984	
插芯	Inserts		
接插件针数	Number Of Contacts	25	
依据 EN 61 984的电气数据	Electrical Data Acc. To EN 61 984		
-工作电流	-Rated Current	4A	
-工作电压	-Rated Voltage	50V	
-额定脉冲电压	-Rated Impulse Voltage	0.8kV	
-污染程度	-Pollution Degree	3	
绝缘电阻	Insulation Resistance	≥ 10 <sup>10</sup> Ω	
材料	Material	聚碳酸酯 Polycarbonate	
工作温度范围	Limiting Temperatures	-40°C...+125°C	
依据UL 94的阻燃等级	Flammability Acc. to UL94	V0	
可拔插次数	Mechanical Working Life-mating Cycles	≥500	
插针	Contacts		
材料	Material	铜合金 Copper Alloy	
表面处理	Surface	镀银 Hard-silver Plated 镀金 Hard-gold Plated	
接触电阻	Contact Resistance	≤3mΩ	
冷压连接	Cage Clamp Terminal		
- mm <sup>2</sup>	- mm <sup>2</sup>	0.09-0.52mm <sup>2</sup>	
-AWG	-AWG	28-20	

冷压连接 Crimp Terminal



插芯 Inserts	型号 Type
公 Male	KMDS-025-MC
母 Female	KMDS-025-FC



附件 Accessories

5A

接触电阻 Contact resistance ≤3mΩ  
镀银 Silver plated

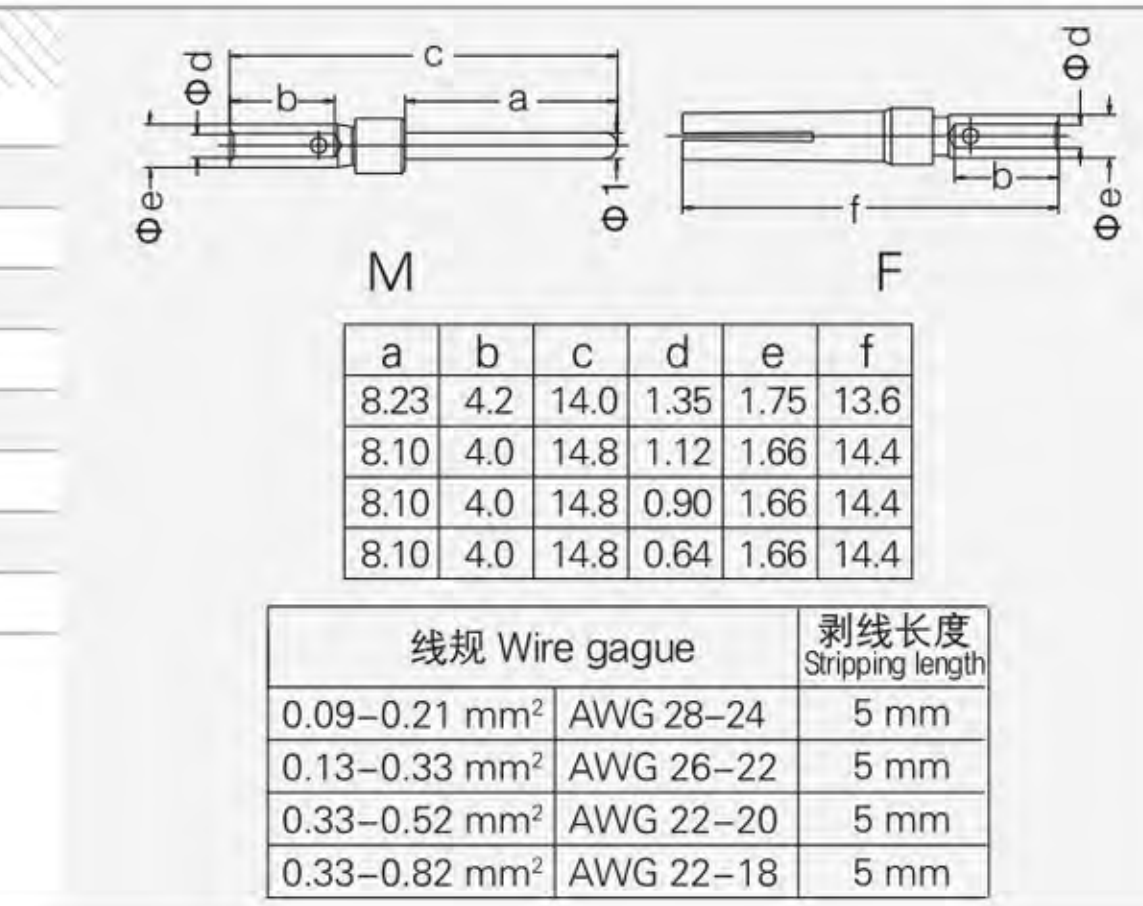


公 Male	母 Female
KF-5A-SM-0.25	KF-5A-SF-0.25
KF-5A-SM-0.33	KF-5A-SF-0.33
KF-5A-SM-0.52	KF-5A-SF-0.52
KF-5A-SM-0.82	KF-5A-SF-0.82

镀金 Gold plated



公 Male	母 Female
KF-5A-GM-0.25	KF-5A-GF-0.25
KF-5A-GM-0.33	KF-5A-GF-0.33
KF-5A-GM-0.52	KF-5A-GF-0.52
KF-5A-GM-0.82	KF-5A-GF-0.82



工具 Tools

冷压钳 Crimping tool



压接线径 Wire gauge	型号 Type
0.09-0.82mm <sup>2</sup>	TL03

退针器 Removal tool



适用类型 For	型号 Type
5A 冷压针 Crimp contacts	TL08



► K2MDD-040 冷压型模块 Crimp Module 150V 10A

插芯 Inserts

 可与框架及其他所有模块产品组合使用  
Combination with hinged frame and other modules possible.

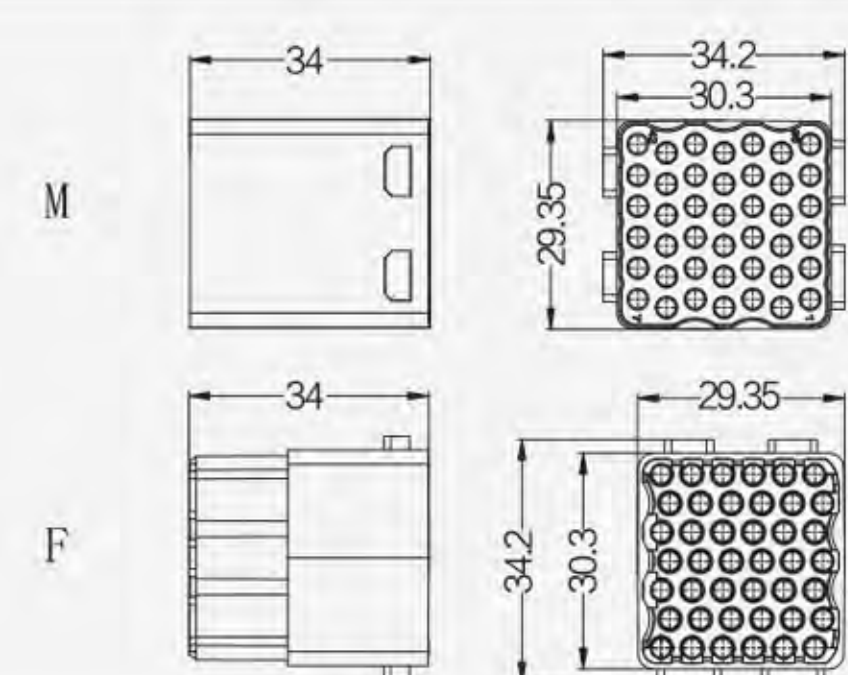
技术参数 Technical Characteristics

规范	Specifications	
规范	Specifications	DIN EN 60 664
规范	Specifications	DIN EN 61 984
插芯	Inserts	
接插件针数	Number of contacts	42
依据 EN 61 984 的电气数据	Electrical data acc. to EN 61 984	
-额定电流	-Rated current	10A
-额定电压	-Rated voltage	150V
-额定脉冲电压	-Rated impulse voltage	2.5kV
-污染程度	-Pollution degree	3
依据UL的额定电压	Rated voltage acc. to UL	250V
绝缘电阻	Insulation resistance	≥10 <sup>10</sup> Ω
材料	Material	聚碳酸酯
工作温度范围	Limiting temperatures	-40°C...+125°C
依据UL 94 的阻燃等级	Flammability acc. to UL 94	V0
可拔插次数	Mechanical working life	≥500
插针	- mating cycles	
材料	Material	铜合金
表面处理	Surface	镀银
		镀金
接触电阻	Contact resistance	
冷压连接	Crimp terminal	≤3mΩ
-mm <sup>2</sup>	-mm <sup>2</sup>	0.14-2.5mm <sup>2</sup>
-AWG	-AWG	26-14

冷压连接 冷压针需另外订购 Crimp terminal



插芯 Inserts	型号 Type
公 Male	K2MDD-042-MC
母 Female	K2MDD-042-FC



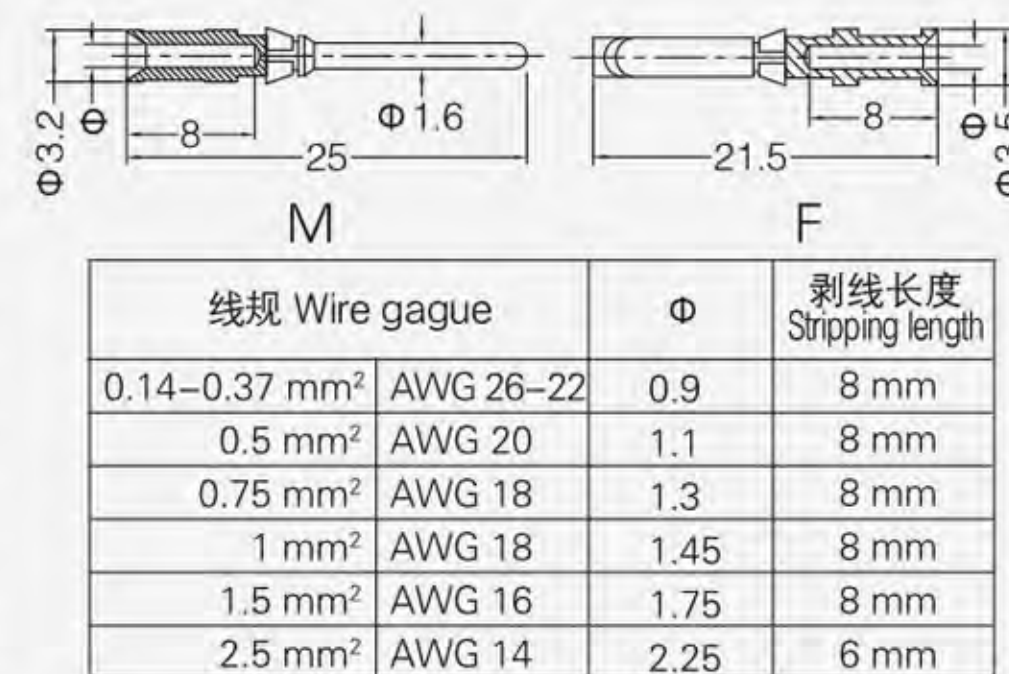
附件 Accessories

10A 冷压针 Crimp contacts

接触电阻 Contact resistance ≤3mΩ  
镀银 Silver plated



公 Male	母 Female
KF-10A-SM-0.37	KF-10A-SF-0.37
KF-10A-SM-0.5	KF-10A-SF-0.5
KF-10A-SM-0.75	KF-10A-SF-0.75
KF-10A-SM-1.0	KF-10A-SF-1.0
KF-10A-SM-1.5	KF-10A-SF-1.5
KF-10A-SM-2.5	KF-10A-SF-2.5
KF-10A-GM-0.37	KF-10A-GF-0.37
KF-10A-GM-0.5	KF-10A-GF-0.5
KF-10A-GM-0.75	KF-10A-GF-0.75
KF-10A-GM-1.0	KF-10A-GF-1.0
KF-10A-GM-1.5	KF-10A-GF-1.5
KF-10A-GM-2.5	KF-10A-GF-2.5



工具 Tools

冷压钳  
Crimping tool



压接线丝 Wire gauge	型号 Type
0.14-4mm <sup>2</sup>	TL02G


退针器  
Removal tool



适用类型 For	型号 Type
10A 冷压针 Crimp contacts	TL00

► KM-RJ45 模块 Module 50V 1A

插芯 Inserts

 可与框架及其他所有模块产品组合使用  
Combination with hinged frame and other modules possible.

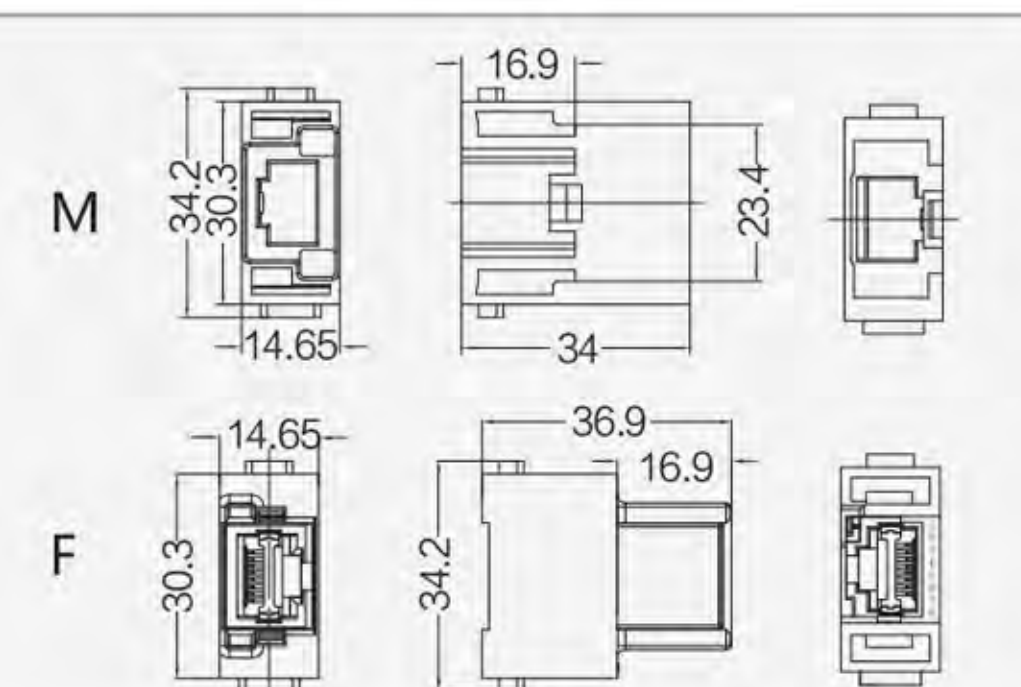
技术参数 Technical Characteristics

规范	Specifications	
规范	Specifications	DIN EN 60 664
规范	Specifications	DIN EN 61 984
插芯	Inserts	
接插件针数	Number of contacts	8
依据 EN 61 984 的电气数据	Electrical data acc. to EN 61 984	
-额定电流	-Rated current	1A
-额定电压	-Rated voltage	50V
-额定脉冲电压	-Rated impulse voltage	0.8kV
-污染程度	-Pollution degree	3
依据UL的额定电压	Rated voltage acc. to UL	< 30 V
传输特性	Transmission features	Category 6 /Class E up to 500 MHz; acc. to ISO/IEC 11 801:2002 and EN 50 173-1
传输速率	Transmission rate	10/100/1000 Mbit/s
绝缘电阻	Insulation resistance	≥10 <sup>10</sup> Ω
材料	Material	聚碳酸酯 polycarbonate
工作温度范围	Limiting temperatures	-40°C...+85°C
依据UL 94 的阻燃等级	Flammability acc. to UL 94	V0
可拔插次数	Mechanical working life	≥500
	- mating cycle	

插芯 用于接线线 Inserts for patch cable



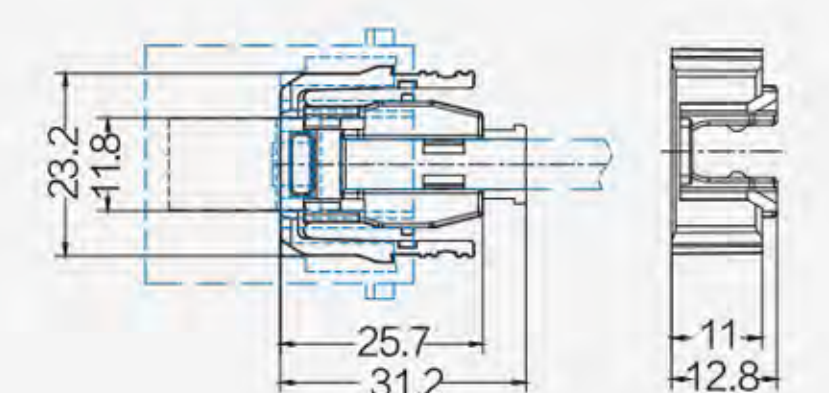
插芯 Inserts	型号 Type
公 Male	KM-RJ45-M
母 Female	KM-RJ45-F



适配器 Adapter



描述 Inserts	型号 Type
与公插芯搭配 go with male insert	HM-RJ45-APT/2
仅用于标准电缆接线 for standard cable 不包胶标准网线	





► KMP-002 气动模块 Pneumatic Module

插芯 Inserts



可与框架及其他所有模块产品组合使用  
Combination with hinged frame and other modules possible.

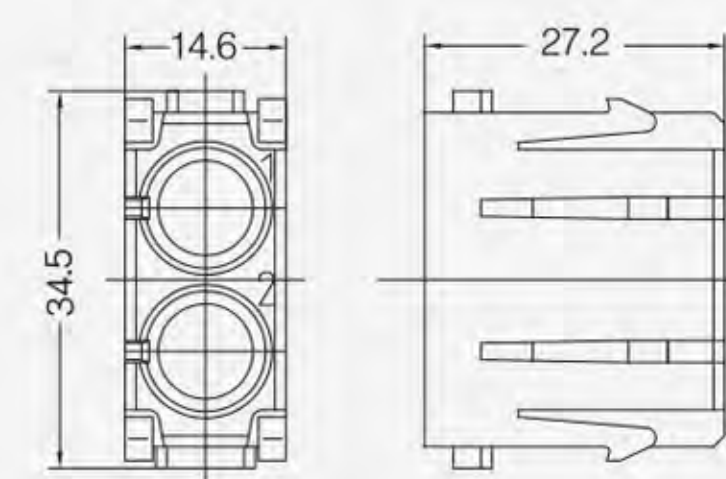
技术参数 Technical Characteristics

规范	Specifications	
规范	Specifications	DIN EN 60 664 DIN EN 61 984
插芯	Inserts	
接插件针数	Number Of Contacts	2
材料	Material	聚碳酸酯 Polycarbonate
工作温度范围	Limiting Temperatures	-40°C...+80°C
依据UL 94的阻燃等级	Flammability Acc. To UI94	V0
可拔插次数	Mechknical Working Life-mating Cycles	≥500
插针	Contacts	
材料	Material	聚甲醛 Delrin Acetal
颜色	Colour	黑色black
软管连接	Tube Termination-	
-内径	Internal Diameter (id)	6.0mm/1/4"
工作压力	Working Pressure	最大( Up To) 8 Bar/116 Psi
密封圈	Sealing	
-材料	-Material	丁晴橡胶 Buna-n
闭锁阀	Shut Off Valve	
-材料	-Material	聚丙烯 Polypropylen

气动模块 Pneumatic Module



描述 Description	型号 Type
	KMP-002

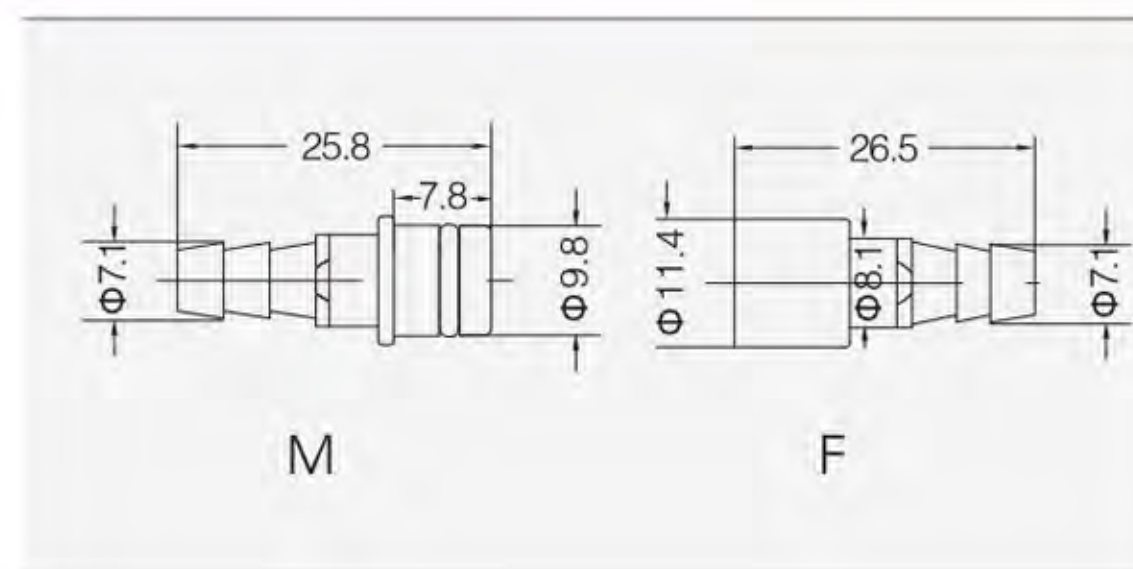


附件 Accessories

针 用于软管内径(ID) For Tubeinternal Diameter(ID)



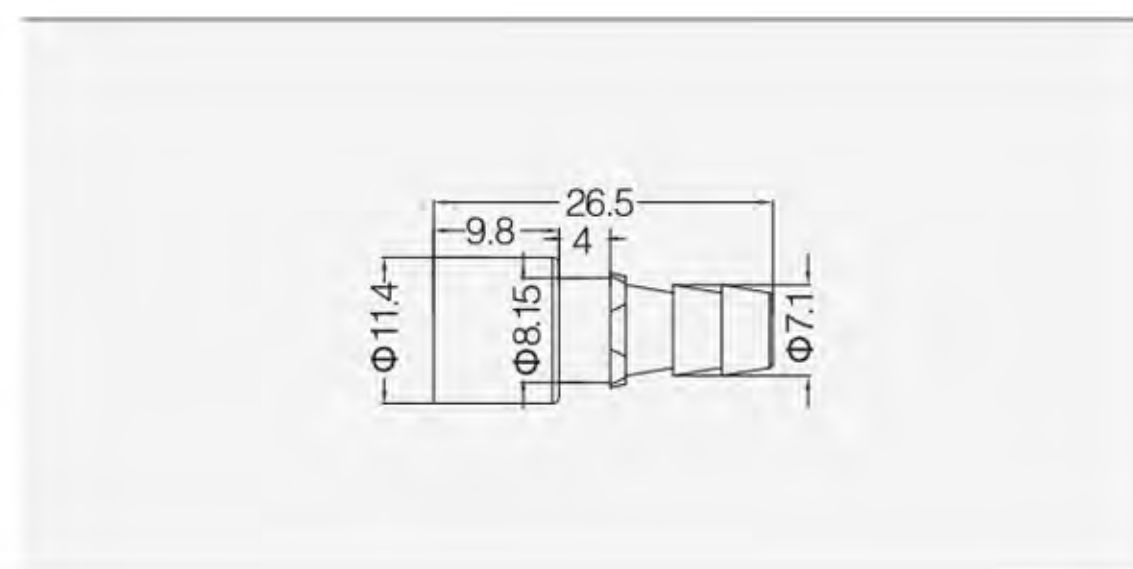
描述 Description	类别 Category	ID	型号 Type
无锁止 Without Shut Off	公 Male	6.0mm	PCM-6.0
无锁止 Without Shut Off	母 Female	6.0mm	PCF-6.0



针 用于软管内径(ID) For Tubeinternal Diameter(ID)



描述 Description	类别 Category	ID	型号 Type
带锁止 With Shut Off	母 Female	6.0mm	PCFS-6.0



► KMP-003 气动模块 Pneumatic Module

插芯 Inserts



可与框架及其他所有模块产品组合使用  
Combination with hinged frame and other modules possible.

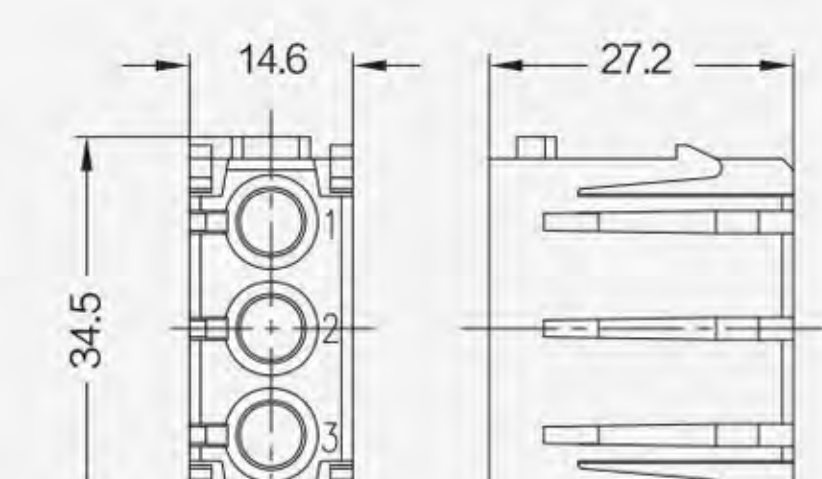
技术参数 Technical Characteristics

规范	Specifications	
规范	Specifications	DIN EN 60 664 DIN EN 61 984
插芯	Inserts	
接插件针数	Number Of Contacts	3
材料	Material	聚碳酸酯 Polycarbonate
工作温度范围	Limiting Temperatures	-40°C...+80°C
依据UL 94的阻燃等级	Flammability Acc. To UI94	V0
可拔插次数	Mechknical Working Life-mating Cycles	≥500
插针	Contacts	
材料	Material	聚甲醛 Delrin Acetal
颜色	Colour	黑色black
软管连接	Tube Termination-	
-内径	Internal Diameter (id)	1.6mm/1/16 " 3mm 4mm/1/8 "
工作压力	Working Pressure	最大( Up To) 8 Bar/116 Psi
密封圈	Sealing	
-材料	-Material	丁晴橡胶 Buna-n
闭锁阀	Shut Off Valve	
-材料	-Material	聚丙烯 Polypropylen

气动模块 Pneumatic Module



描述 Description	型号 Type
	KHMP-003

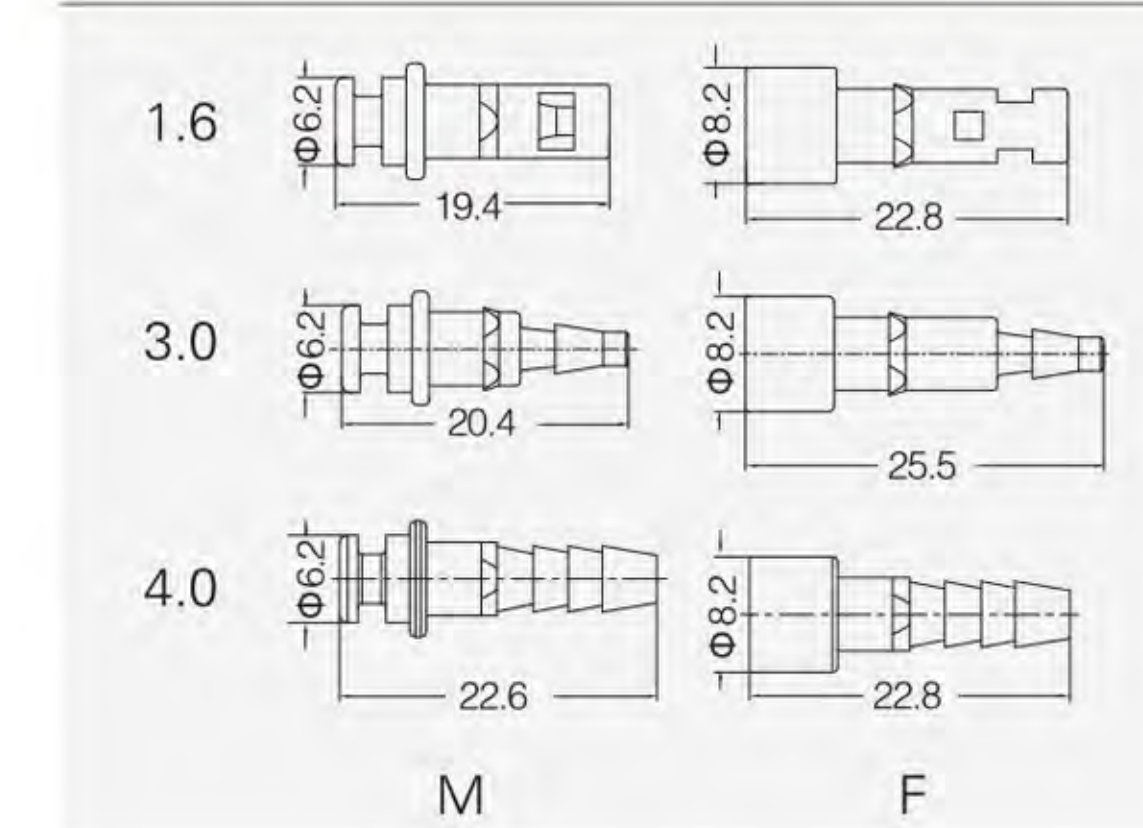


附件 Accessories

针 用于软管内径(ID) For Tubeinternal Diameter(ID)



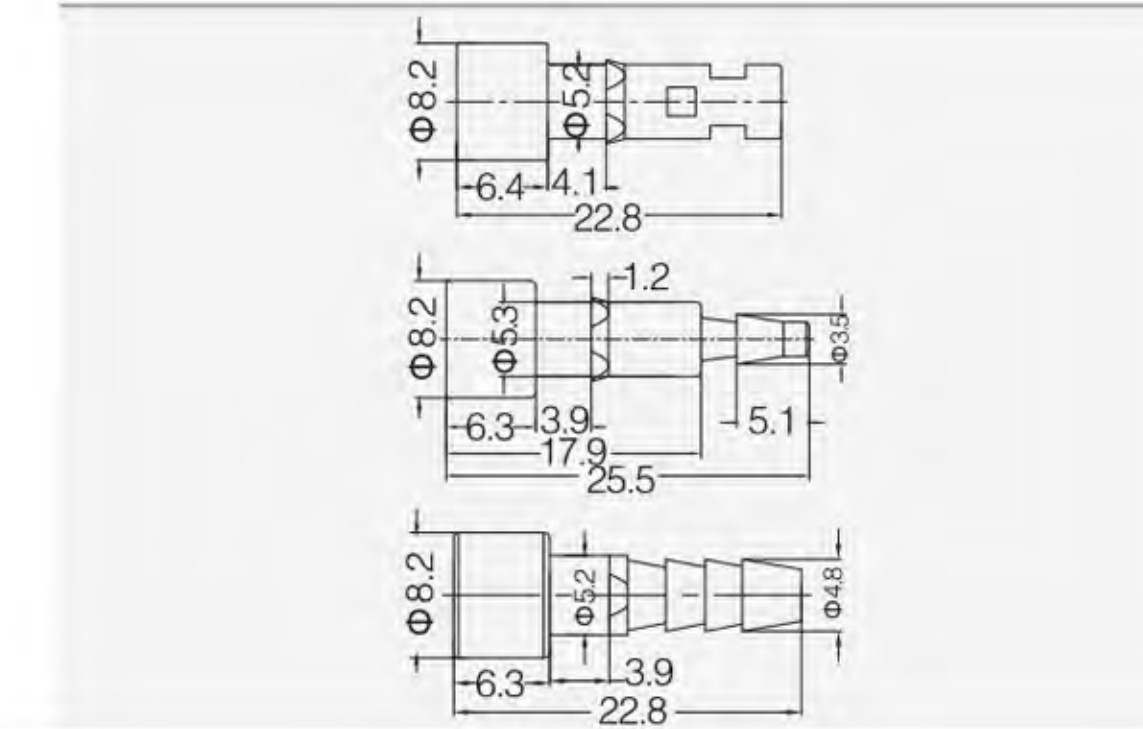
描述 Description	类别 Category	ID	型号 Type
无锁止 Without Shut Off	公 Male	1.6mm 3.0mm 4.0mm	PCM-1.6 PCM-3.0 PCM-4.0
无锁止 Without Shut Off	母 Female	1.6mm 3.0mm 4.0mm	PCF-1.6 PCF-3.0 PCF-4.0



针 用于软管内径(ID) For Tubeinternal Diameter(ID)



描述 Description	类别 Category	ID	型号 Type
带锁止 With Shut Off	母 Female	1.6mm 3.0mm 4.0mm	PCFS-1.6 PCFS-3.0 PCFS-4.0





▶ 外壳特性 Hoods & Housings Feature

3A系列

塑料外壳	
材料	聚碳酸酯
颜色	灰白
连锁元件	
连锁方式	塑料弹性压合
材料	聚酰胺
密封元件	丁腈橡胶
适用温度范围	-40~+125°C
阻燃等级	V0
防护等级 (连锁状态DIN EN 60529)	IP65

3A系列

金属外壳	
材料	压铸铝合金
颜色	灰色
连锁元件	
连锁方式	扣子
材料	金属镀锌
密封元件	丁腈橡胶
适用温度范围	-40~+125°C
阻燃等级	V0
防护等级 (连锁状态DIN EN 60529)	IP65

标准外壳 (10A,16A,32A,6B,10B,16B,24B,32B,48B)

标准外壳	
材料	压铸铝合金
颜色	灰色
连锁元件	
连锁方式	扣子
材料	金属镀锌
密封元件	丁腈橡胶
适用温度范围	-40~+125°C
阻燃等级	V0
防护等级 (连锁状态DIN EN 60529)	IP65

Size 3A

Plastic Hoods & Housings	
Material	Polycarbonate
Colour	Light grey(RAL7032)
Locking element	
Lever type	Plastic elastic pressing
Material	Polymide
Hoods / Housings seal	NBR
Limiting tempertures	-40~+125°C
Flammability acc to UI94	V0
Degree of protection acc. to DIN EN 60529 for coupled connector	IP65

Size 3A

Metal Hoods & Housings	
Material	Zinc die-cast
Colour	Grey(RAL7037)
Locking element	
Lever type	Lever
Material	Metal zinc-plated
Hoods / Housings seal	NBR
Limiting tempertures	-40~+125°C
Flammability acc to UI94	V0
Degree of protection acc. to DIN EN 60529 for coupled connector	IP65

Stansard Hoods & Housings(10A,16A,32A,6B,10B,16B,24B,32B,48B)

Stansard Hoods & Housings	
Material	Aluminium die-cast
Colour	Grey(RAL7037)
Locking element	
Lever type	Lever
Material	Metal zinc-plated
Hoods / Housings seal	NBR
Limiting tempertures	-40~+125°C
Flammability acc to UI94	V0
Degree of protection acc. to DIN EN 60529 for coupled connector	IP65

▶ K3A系列塑料外壳 Plastic Hoods & Housings

外壳Hoods&Housings	描述 Description	型号 Type	螺纹 Thread
	上壳 侧出线 Hoods, side entry	K3A. P-SE-2B-M20 K3A. P-SE-2B-PG11	M20 PG11
	上壳 顶出线 Hoods, top entry	K3A. P-TE-2B-M20 K3A. P-TE-2B-PG11	M20 PG11
	下壳 不封底 Housings, bulkhead mounting	K3A. P-BK-1L	
	下壳 不封底 Housings, bulkhead mounting	K3A. P-BK-1L-SE	
	下壳 不封底 Housings, surface mounting	K3A. P-SF-1L-M20 K3A. P-SF-1L-PG11	M20 PG11
	下壳 电缆对接 Housings, cable to cable	K3A. P-CCT-1L-M20 K3A. P-CCT-1L-PG11	M20 PG11
	防护盖 Protection	K3A-GV-1L/1M (配公芯for male insert) K3A-GV-1L/1F (配母芯for female insert)	接线方式 Connect way
	防护盖 Protection	K3A-GV-2B/1M (配公芯for male insert) K3A-GV-2B/2M (配公芯for male insert) K3A-GV-2B/1F (配母芯for female insert) K3A-GV-2B/2F (配母芯for female insert)	接线方式 Connect way

▶ K3A系列金属外壳 Metal Hoods & Housings

外壳Hoods&Housings	描述 Description	型号 Type	螺纹 Thread
	上壳 侧出线 Hoods, side entry	K3A-SE-2B-M20 K3A-SE-2B-PG11	M20 PG11 PG13.5
	上壳 顶出线 Hoods, top entry	K3A-TE-2B-M20 K3A-TE-2B-PG11 K3A-TE-2B-PG13.5	M20 PG11 PG13.5
	下壳 不封底 Housings, bulkhead mounting	K3A-BK-1L	
	下壳 不封底 Housings, bulkhead mounting	K3A-BK-1L-MCV	
	下壳 不封底 Housings, surface mounting	K3A-BK-1L-SE	
	下壳 电缆对接 Housings, cable to cable	K3A-SF-1L-M20 K3A-SF-1L-PG11	M20 PG11 PG13.5
	下壳 电缆对接 Housings, cable to cable	K3A-CCT-1L-M20 K3A-CCT-1L-PG11	M20 PG11 PG13.5
	防护盖 Protection	K3A-MCV-1L/1M (配公芯for male insert) K3A-MCV-1L/1F (配母芯for female insert)	接线方式 Connect way
	防护盖 Protection	K3A-MCV-2B/1M (配公芯for male insert) K3A-MCV-2B/2M (配公芯for male insert) K3A-MCV-2B/1F (配母芯for female insert) K3A-MCV-2B/2F (配母芯for female insert)	接线方式 Connect way



► K10A系列金属壳体 Metal Hoods & Housings

外壳Hoods&Housings	描述 Description	型号 Type	螺纹 Thread
	上壳 侧出线 Hoods, side entry	K10A-SE-2B-M20 K10A-SE-2B-PG16	M20 PG16
	上壳 侧出线 高结构 Hoods, side entry high construction	K10A-SEH-2B-M25 K10A-SEH-2B-PG16 K10A-SEH-2B-PG21	M25 PG16 PG21
	上壳 顶出线 Hoods, top entry	K10A-TE-2B-M20 K10A-TE-2B-PG13.5	M20 PG13.5
	上壳 顶出线 高结构 Hoods, top entry, high construction	K10A-TEH-2B-M25 K10A-TEH-2B-PG16 K10A-TEH-2B-PG21	M25 PG16 PG21
	不封底下壳 Housings, bulkhead mounting	K10A-BK-1L 带塑料盖 With plastic cover K10A-BK-1L-CV 带金属盖 With metal cover K10A-BK-1L-MCV	
	封底下壳 Housings, surface mounting	K10A-SF-1L-M20 K10A-SF-1L-2M20 K10A-SF-1L-M25 K10A-SF-1L-PG16 K10A-SF-1L-2PG16 K10A-SF-1L-PG21	M20 2M20 M25 PG16 2PG16 PG21
	封底下壳 Housings, surface mounting	带塑料盖 With plastic cover K10A-SF-1L-CV-M20 K10A-SF-1L-CV-2M20 K10A-SF-1L-CV-M25 K10A-SF-1L-CV-PG16 K10A-SF-1L-CV-2PG16 K10A-SF-1L-CV-PG21 带金属盖 With metal cover K10A-SF-1L-MCV-M20 K10A-SF-1L-MCV-2M20 K10A-SF-1L-MCV-M25 K10A-SF-1L-MCV-PG16 K10A-SF-1L-MCV-2PG16 K10A-SF-1L-MCV-PG21	M20 2M20 M25 PG16 2PG16 PG21 M20 2M20 M25 PG16 2PG16 PG21

► K16A系列金属壳体 Metal Hoods & Housings

外壳Hoods&Housings	描述 Description	型号 Type	螺纹 Thread
	上壳 侧出线 Hoods, side entry	K16A-SE-2B-M20 K16A-SE-2B-PG16	M20 PG16
	上壳 侧出线 高结构 Hoods, side entry, high construction	K16A-SEH-2B-M25 K16A-SEH-2B-PG16 K16A-SEH-2B-PG21	M25 PG16 PG21
	上壳 顶出线 Hoods, top entry	K16A-TE-2B-M20 K16A-TE-2B-PG16	M20 PG16
	上壳 顶出线 高结构 Hoods, top entry, high construction	K16A-TEH-2B-M25 K16A-TEH-2B-PG16 K16A-TEH-2B-PG21	M25 PG16 PG21
	不封底下壳 Housings, bulkhead mounting	K16A-BK-1L 带塑料盖 With plastic cover K16A-BK-1L-CV 带金属盖 With metal cover K16A-BK-1L-MCV	
	封底下壳 Housings, surface mounting	K16A-SF-1L-M20 K16A-SF-1L-2M20 K16A-SF-1L-M25 K16A-SF-1L-2M25 K16A-SF-1L-PG16 K16A-SF-1L-2PG16 K16A-SF-1L-PG21	M20 2M20 M25 2M25 PG16 2PG16 PG21
	封底下壳 Housings, surface mounting	带塑料盖 With plastic cover K16A-SF-1L-CV-M20 K16A-SF-1L-CV-2M20 K16A-SF-1L-CV-M25 K16A-SF-1L-CV-2M25 K16A-SF-1L-CV-PG16 K16A-SF-1L-CV-2PG16 K16A-SF-1L-CV-PG21 带金属盖 With metal cover K16A-SF-1L-MCV-M20 K16A-SF-1L-MCV-2M20 K16A-SF-1L-MCV-M25 K16A-SF-1L-MCV-2M25 K16A-SF-1L-MCV-PG16 K16A-SF-1L-MCV-2PG16 K16A-SF-1L-MCV-PG21	M20 2M20 M25 2M25 PG16 2PG16 PG21 M20 2M20 M25 2M25 PG16 2PG16 PG21

► K32A系列塑料外壳 Plastic Hoods & Housings

外壳Hoods&Housings	描述 Description	型号 Type	螺纹 Thread	外壳Hoods&Housings	描述 Description	型号 Type	螺纹 Thread
	上壳 侧出线 Hoods, side entry	K32A-SE-4B-M25 K32A-SE-4B-PG21	M25 PG21		上壳 侧出线 Hoods, side entry	K32A-SE-2L-M25 K32A-SE-2L-PG21	M25 PG21
	上壳 侧出线 高结构 Hoods, side entry, high construction	K32A-SEH-4B-M25 K32A-SEH-4B-M32 K32A-SEH-4B-PG21 K32A-SEH-4B-PG29	M25 M32 PG21 PG29		上壳 侧出线 高结构 Hoods, side entry, high construction	K32A-SEH-2L-M25 K32A-SEH-2L-M32 K32A-SEH-2L-PG21 K32A-SEH-2L-PG29	M25 M32 PG21 PG29
	上壳 顶出线 高结构 Hoods, top entry, high construction	K32A-TEH-4B-M25 K32A-TEH-4B-M32 K32A-TEH-4B-PG21 K32A-TEH-4B-PG29	M25 M32 PG21 PG29		上壳 顶出线 高结构 Hoods, top entry, high construction	K32A-TEH-2L-M25 K32A-TEH-2L-M32 K32A-TEH-2L-PG21 K32A-TEH-2L-PG29	M25 M32 PG21 PG29
	不封底下壳 Housings, bulkhead mounting	K32A-BK-2L			不封底下壳 Housings, bulkhead mounting	K32A-BK-4B 带塑料盖 With plastic cover K32A-BK-4B-CV 带金属盖 With metal cover K32A-BK-4B-MCV	
	封底下壳 Housings, surface mounting	K32A-SF-2L-M25 K32A-SF-2L-M32 K32A-SF-2L-2M32 K32A-SF-2L-PG21 K32A-SF-2L-2PG21 K32A-SF-2L-PG29 K32A-SF-2L-2PG29	M25 M32 2M32 PG21 2PG21 PG29 2PG29		封底下壳 Housings, surface mounting	K32A-SF-4B-M25 K32A-SF-4B-M32 K32A-SF-4B-2M32 K32A-SF-4B-PG21 K32A-SF-4B-2PG21 K32A-SF-4B-PG29 K32A-SF-4B-2PG29	M25 M32 2M32 PG21 2PG21 PG29 2PG29
	封底下壳 Housings, surface mounting	带塑料盖 With plastic cover K32A-SF-4B-CV-M25 K32A-SF-4B-CV-M32 K32A-SF-4B-CV-2M32 K32A-SF-4B-CV-PG21 K32A-SF-4B-CV-2PG21 K32A-SF-4B-CV-PG29 K32A-SF-4B-CV-2PG29 带金属盖 With metal cover K32A-SF-4B-MCV-M25 K32A-SF-4B-MCV-M32 K32A-SF-4B-MCV-2M32 K32A-SF-4B-MCV-PG21 K32A-SF-4B-MCV-2PG21 K32A-SF-4B-MCV-PG29 K32A-SF-4B-MCV-2PG29	M25 M32 2M32 PG21 2PG21 PG29 2PG29 M25 M32 2M32 PG21 2PG21 PG29 2PG29		封底下壳 Housings, surface mounting	带塑料盖 With plastic cover K32A-SF-4B-CV-M25 K32A-SF-4B-CV-M32 K32A-SF-4B-CV-2M32 K32A-SF-4B-CV-PG21 K32A-SF-4B-CV-2PG21 K32A-SF-4B-CV-PG29 K32A-SF-4B-CV-2PG29 带金属盖 With metal cover K32A-SF-4B-MCV-M25 K32A-SF-4B-MCV-M32 K32A-SF-4B-MCV-2M32 K32A-SF-4B-MCV-PG21 K32A-SF-4B-MCV-2PG21 K32A-SF-4B-MCV-PG29 K32A-SF-4B-MCV-2PG29	M25 M32 2M32 PG21 2PG21 PG29 2PG29 M25 M32 2M32 PG21 2PG21 PG29 2PG29



► K6B系列金属壳体 Metal Hoods & Housings

外壳Hoods&Housings	描述 Description	型号 Type	螺纹 Thread	外壳Hoods&Housings	描述 Description	型号 Type	螺纹 Thread
	上壳 侧出线 Hoods, side entry	K6B-SE-2B-M20 K6B-SE-2B-M25 K6B-SE-2B-PG13.5 K6B-SE-2B-PG16	M20 M25 PG13.5 PG16		下壳 不封底 Housings, bulkhead mounting	K6B-BK-1L 带塑料盖 With plastic cover K6B-BK-1L-CV 带金属盖 With metal cover K6B-BK-1L-MCV	
	上壳 侧出线 高结构 Hoods, side entry high construction	K6B-SEH-2B-M25 K6B-SEH-2B-M32 K6B-SEH-2B-PG21 K6B-SEH-2B-PG29	M25 M32 PG21 PG29		上壳 顶出线 Hoods, top entry	K6B-SF-1L-M20 K6B-SF-1L-2M20 K6B-SF-1L-M25 K6B-SF-1L-2M25 K6B-SF-1L-PG13.5 K6B-SF-1L-2PG13.5 K6B-SF-1L-PG16 K6B-SF-1L-2PG16	M20 2M20 M25 2M25 PG13.5 2PG13.5 PG16 2PG16
	上壳 顶出线 Hoods, top entry	K6B-TE-2B-M20 K6B-TE-2B-M25 K6B-TE-2B-PG13.5 K6B-TE-2B-PG16	M20 M25 PG13.5 PG16		下壳 封底 Housings, surface mounting	带塑料盖 With plastic cover K6B-SF-1L-CV-M20 K6B-SF-1L-CV-2M20 K6B-SF-1L-CV-M25 K6B-SF-1L-CV-2M25 K6B-SF-1L-CV-PG13.5 K6B-SF-1L-CV-2PG13.5 K6B-SF-1L-CV-PG16 K6B-SF-1L-CV-2PG16	M20 2M20 M25 2M25 PG13.5 2PG13.5 PG16 2PG16
	上壳 顶出线 高结构 Hoods, top entry, high construction	K6B-TEH-2B-M25 K6B-TEH-2B-M32 K6B-TEH-2B-PG21 K6B-TEH-2B-PG29	M25 M32 PG21 PG29		带金属盖 With metal cover K6B-SF-1L-MCV-M20 K6B-SF-1L-MCV-2M20 K6B-SF-1L-MCV-M25 K6B-SF-1L-MCV-2M25 K6B-SF-1L-MCV-PG13.5 K6B-SF-1L-MCV-2PG13.5 K6B-SF-1L-MCV-PG16 K6B-SF-1L-MCV-2PG16	M20 2M20 M25 2M25 PG13.5 2PG13.5 PG16 2PG16	
	下壳 电缆对接 Housings, cable to cable	K6B-CCT-1L-M20 K6B-CCT-1L-PG13.5 K6B-CCT-1L-PG16	M20 PG13.5 PG16		下壳 封底 高结构 Housings, surface mounting high construction	K6B-SFH-1L-M25 K6B-SFH-1L-2M25 K6B-SFH-1L-M32 K6B-SFH-1L-2M32 K6B-SFH-1L-PG21 K6B-SFH-1L-2PG21 K6B-SFH-1L-PG29 K6B-SFH-1L-2PG29	M25 2M25 M32 2M32 PG21 2PG21 PG29 2PG29
	下壳 电缆对接 高结构 Housings, cable to cable high construction	K6B-CCTH-1L-M25 K6B-CCTH-1L-PG21 K6B-CCTH-1L-PG29	M25 M32 PG21 PG29		带塑料盖 With plastic cover K6B-SFH-1L-CV-M25 K6B-SFH-1L-CV-2M25 K6B-SFH-1L-CV-M32 K6B-SFH-1L-CV-2M32 K6B-SFH-1L-CV-PG21 K6B-SFH-1L-CV-2PG21 K6B-SFH-1L-CV-PG29 K6B-SFH-1L-CV-2PG29	M25 2M25 M32 2M32 PG21 2PG21 PG29 2PG29	
					带金属盖 With metal cover K6B-SFH-1L-MCV-M25 K6B-SFH-1L-MCV-2M25 K6B-SFH-1L-MCV-M32 K6B-SFH-1L-MCV-2M32 K6B-SFH-1L-MCV-PG21 K6B-SFH-1L-MCV-2PG21 K6B-SFH-1L-MCV-PG29 K6B-SFH-1L-MCV-2PG29	M25 2M25 M32 2M32 PG21 2PG21 PG29 2PG29	

► K10B系列金属壳体 Metal Hoods & Housings

外壳Hoods&Housings	描述 Description	型号 Type	螺纹 Thread	外壳Hoods&Housings	描述 Description	型号 Type	螺纹 Thread
	上壳 侧出线 Hoods, side entry	K10B-SE-4B-M20 K10B-SE-4B-M25 K10B-SE-4B-PG16	M20 M25 PG16		下壳 不封底 Housings, bulkhead mounting	K10B-SE-2L-M20 K10B-SE-2L-M25 K10B-SE-2L-PG16	M20 M25 PG16
	上壳 侧出线 高结构 Hoods, side entry, high construction	K10B-SEH-4B-M25 K10B-SEH-4B-M32 K10B-SEH-4B-PG21 K10B-SEH-4B-PG29	M25 M32 PG21 PG29		上壳 顶出线 Hoods, top entry	K10B-TE-4B-M20 K10B-TE-4B-M25 K10B-TE-4B-PG16	M20 M25 PG16
	上壳 顶出线 高结构 Hoods, top entry, high construction	K10B-TEH-4B-M25 K10B-TEH-4B-M32 K10B-TEH-4B-PG21 K10B-TEH-4B-PG29	M25 M32 PG21 PG29		下壳 电缆对接 Housings, cable to cable	K10B-CCT-2L-M20 K10B-CCT-2L-M25 K10B-CCT-2L-PG16	M20 M25 PG16
	上壳 顶出线 高结构 Hoods, top entry, high construction	K10B-TEH-4B-M25 K10B-TEH-4B-M32 K10B-TEH-4B-PG21 K10B-TEH-4B-PG29	M25 M32 PG21 PG29		下壳 电缆对接 Housings, cable to cable	K10B-CCTH-2L-M25 K10B-CCTH-2L-M32 K10B-CCTH-2L-PG21 K10B-CCTH-2L-PG29	M25 M32 PG21 PG29
	下壳 不封底 Housings, bulkhead mounting	K10B-BK-4B 带塑料盖 With plastic cover K10B-BK-4B-CV 带金属盖 With metal cover K10B-BK-4B-MCV			下壳 封底 Housings, surface mounting	K10B-SFH-4B-M20 K10B-SFH-4B-2M20 K10B-SFH-4B-M25 K10B-SFH-4B-2M25 K10B-SFH-4B-PG16 K10B-SFH-4B-2PG16	M20 2M20 M25 2M25 PG16 2PG16
	下壳 封底 Housings, surface mounting	K10B-SFH-4B-M20 K10B-SFH-4B-2M20 K10B-SFH-4B-M25 K10B-SFH-4B-2M25 K10B-SFH-4B-PG16 K10B-SFH-4B-2PG16	M20 2M20 M25 2M25 PG16 2PG16		带塑料盖 With plastic cover K10B-SFH-4B-CV-M20 K10B-SFH-4B-CV-2M20 K10B-SFH-4B-CV-M25 K10B-SFH-4B-CV-2M25 K10B-SFH-4B-CV-PG16 K10B-SFH-4B-CV-2PG16	M20 2M20 M25 2M25 PG16 2PG16	
	带金属盖 With metal cover K10B-SFH-4B-MCV-M20 K10B-SFH-4B-MCV-2M20 K10B-SFH-4B-MCV-M25 K10B-SFH-4B-MCV-2M25 K10B-SFH-4B-MCV-PG16 K10B-SFH-4B-MCV-2PG16	M20 2M20 M25 2M25 PG16 2PG16			上壳 侧出线 Hoods, side entry	K10B-SFH-4B-M25 K10B-SFH-4B-M32 K10B-SFH-4B-PG21 K10B-SFH-4B-PG29	M25 2M25 M32 2M32 PG21 2PG21 PG29 2PG29
	上壳 侧出线 Hoods, side entry	K10B-SFH-4B-M25 K10B-SFH-4B-M32 K10B-SFH-4B-PG21 K10B-SFH-4B-PG29	M25 2M25 M32 2M32 PG21 2PG21 PG29 2PG29		带塑料盖 With plastic cover K10B-SFH-4B-CV-M25 K10B-SFH-4B-CV-2M25 K10B-SFH-4B-CV-M32 K10B-SFH-4B-CV-2M32 K10B-SFH-4B-CV-PG21 K10B-SFH-4B-CV-2PG21 K10B-SFH-4B-CV-PG29 K10B-SFH-4B-CV-2PG29	M25 2M25 M32 2M32 PG21 2PG21 PG29 2PG29	
	带金属盖 With metal cover K10B-SFH-4B-MCV-M25 K10B-SFH-4B-MCV-2M25 K10B-SFH-4B-MCV-M32 K10B-SFH-4B-MCV-2M32 K10B-SFH-4B-MCV-PG21 K10B-SFH-4B-MCV-2PG21 K10B-SFH-4B-MCV-PG29 K10B-SFH-4B-MCV-2PG29	M25 2M25 M32 2M32 PG21 2PG21 PG29 2PG29			下壳 封底 高结构 Housings, surface mounting high construction	K10B-SFH-2L-M25 K10B-SFH-2L-2M25 K10B-SFH-2L-M32 K10B-SFH-2L-2M32 K10B-SFH-2L-PG21 K10B-SFH-2L-2PG21 K10B-SFH-2L-PG29 K10B-SFH-2L-2PG29	M25 2M25 M32 2M32 PG21 2PG21 PG29 2PG29



► K10B系列金属壳体 Metal Hoods & Housings

外壳Hoods&Housings	描述 Description	型号 Type	螺纹 Thread	外壳Hoods&Housings	描述 Description	型号 Type	螺纹 Thread
	上壳 侧出线 Hoods, side entry	K10B-SE-2B-M20 K10B-SE-2B-M25 K10B-SE-2B-PG16	M20 M25 PG16		下壳 封底 高结构 Housings, surface mounting high construction	K10B-SFH-1L-M25 K10B-SFH-1L-2M25 K10B-SFH-1L-M32 K10B-SFH-1L-2M32 K10B-SFH-1L-PG21 K10B-SFH-1L-2PG21 K10B-SFH-1L-PG29 K10B-SFH-1L-2PG29	M25 2M25 M32 2M32 PG21 2PG21 PG29 2PG29
	上壳 侧出线 高结构 Hoods, side entry, high construction	K10B-SEH-2B-M25 K10B-SEH-2B-M32 K10B-SEH-2B-PG21 K10B-SEH-2B-PG29	M25 M32 PG21 PG29		下壳 封底 高结构 Housings, surface mounting high construction	带塑料盖 With plastic cover K10B-SFH-1L-CV-M25 K10B-SFH-1L-CV-2M25 K10B-SFH-1L-CV-M32 K10B-SFH-1L-CV-2M32 K10B-SFH-1L-CV-PG21 K10B-SFH-1L-CV-2PG21 K10B-SFH-1L-CV-PG29 K10B-SFH-1L-CV-2PG29 带金属盖 With metal cover K10B-SFH-1L-MCV-M25 K10B-SFH-1L-MCV-2M25 K10B-SFH-1L-MCV-M32 K10B-SFH-1L-MCV-2M32 K10B-SFH-1L-MCV-PG21 K10B-SFH-1L-MCV-2PG21 K10B-SFH-1L-MCV-PG29 K10B-SFH-1L-MCV-2PG29	M25 2M25 M32 2M32 PG21 2PG21 PG29 2PG29 M25 2M25 M32 2M32 PG21 2PG21 PG29 2PG29
	上壳 顶出线 Hoods, top entry	K10B-TE-2B-M20 K10B-TE-2B-M25 K10B-TE-2B-PG16	M20 M25 PG16				
	上壳 顶出线 高结构 Hoods, top entry, high construction	K10B-TEH-2B-M25 K10B-TEH-2B-M32 K10B-TEH-2B-PG21 K10B-TEH-2B-PG29	M25 M32 PG21 PG29				
	下壳 电缆对接 Housings, cable to cable	K10B-CCT-1L-M20 K10B-CCT-1L-M25 K10B-CCT-1L-PG16	M20 M25 PG16				
	下壳 电缆对接 高结构 Housings, cable to cable high construction	K10B-CCTH-1L-M25 K10B-CCTH-1L-M32 K10B-CCTH-1L-PG21 K10B-CCTH-1L-PG29	M25 M32 PG21 PG29				
	下壳 不封底 Housings, bulkhead mounting	K10B-BK-1L 带塑料盖 With plastic cover K10B-BK-1L-CV 带金属盖 With metal cover K10B-BK-1L-MCV					
	下壳 封底 Housings, surface mounting	KK10B-SF-1L-M20 K10B-SF-1L-2M20 K10B-SF-1L-M25 K10B-SF-1L-2M25 K10B-SF-1L-PG16 K10B-SF-1L-2PG16	M20 2M20 M25 2M25 PG16 2PG16				
	下壳 封底 高结构 Housings, surface mounting high construction	带塑料盖 With plastic cover K10B-SF-1L-CV-M20 K10B-SF-1L-CV-2M20 K10B-SF-1L-CV-M25 K10B-SF-1L-CV-2M25 K10B-SF-1L-CV-PG16 K10B-SF-1L-CV-2PG16 带金属盖 With metal cover K10B-SF-1L-MCV-M20 K10B-SF-1L-MCV-2M20 K10B-SF-1L-MCV-M25 K10B-SF-1L-MCV-2M25 K10B-SF-1L-MCV-PG16 K10B-SF-1L-MCV-2PG16	M20 2M20 M25 2M25 PG16 2PG16 M20 2M20 M25 2M25 PG16 2PG16				

► K16B系列金属壳体 Metal Hoods & Housings

外壳Hoods&Housings	描述 Description	型号 Type	螺纹 Thread	外壳Hoods&Housings	描述 Description	型号 Type	螺纹 Thread
	上壳 侧出线 Hoods, side entry	K16B-SE-4B-M25 K16B-SE-4B-M32 K16B-SE-4B-PG21	M25 M32 PG21		上壳 侧出线 高结构 Hoods, side entry, high construction	K16B-SEH-2L-M32 K16B-SEH-2L-M40 K16B-SEH-2L-PG21 K16B-SEH-2L-PG29	M32 M40 PG21 PG29
	上壳 顶出线 Hoods, top entry	K16B-TE-4B-M25 K16B-TE-4B-M32 K16B-TE-4B-PG21	M25 M32 PG21		上壳 顶出线 高结构 Hoods, top entry, high construction	K16B-TEH-2L-M32 K16B-TEH-2L-M40 K16B-TEH-2L-PG21 K16B-TEH-2L-PG29	M32 M40 PG21 PG29
	下壳 电缆对接 Housings, cable to cable	K16B-CCT-2L-M25 K16B-CCT-2L-M32 K16B-CCT-2L-PG21	M25 M32 PG21		下壳 封底 Housings, surface mounting	K16B-SF-4B-M25 K16B-SF-4B-2M25 K16B-SF-4B-PG21 K16B-SF-4B-2PG21	M25 2M25 PG21 2PG21
	下壳 电缆对接 高结构 Housings, cable to cable high construction	K16B-CCTH-2L-M32 K16B-CCTH-2L-M40 K16B-CCTH-2L-PG21 K16B-CCTH-2L-PG29	M32 M40 PG21 PG29		下壳 不封底 Housings, bulkhead mounting	K16B-BK-4B 带塑料盖 With plastic cover K16B-BK-4B-CV 带金属盖 With metal cover K16B-BK-4B-MCV	M25 M32 PG21 PG21
	下壳 封底 高结构 Housings, surface mounting high construction	K16B-SF-2L-M25 K16B-SF-2L-2M25 K16B-SF-2L-PG21 K16B-SF-2L-2PG21	M25 2M25 PG21 2PG21		下壳 封底 高结构 Housings, surface mounting high construction	K16B-SFH-4B-M32 K16B-SFH-4B-2M32 K16B-SFH-4B-PG21 K16B-SFH-4B-2PG21 K16B-SFH-4B-PG29 K16B-SFH-4B-2PG29	M32 2M32 PG21 2PG21 PG29 2PG29
	下壳 封底 高结构 Housings, surface mounting high construction	带塑料盖 With plastic cover K16B-SFH-4B-CV-M32 K16B-SFH-4B-CV-2M32 K16B-SFH-4B-CV-PG21 K16B-SFH-4B-CV-2PG21 K16B-SFH-4B-CV-PG29 K16B-SFH-4B-CV-2PG29 带金属盖 With metal cover K16B-SFH-4B-MCV-M32 K16B-SFH-4B-MCV-2M32 K16B-SFH-4B-MCV-PG21 K16B-SFH-4B-MCV-2PG21 K16B-SFH-4B-MCV-PG29 K16B-SFH-4B-MCV-2PG29	M25 2M25 M32 2M32 PG21 2PG21 PG29 2PG29 M32 2M32 PG21 2PG21 PG29 2PG29				



► K16B系列金属壳体 Metal Hoods & Housings

外壳Hoods&Housings	描述 Description	型号 Type	螺纹 Thread	外壳Hoods&Housings	描述 Description	型号 Type	螺纹 Thread
	上壳 侧出线 Hoods, side entry	K16B-SE-2B-M25 K16B-SE-2B-M32 K16B-SE-2B-PG21	M25 M32 PG21		下壳 封底 高结构 Housings, surface mounting high construction	K16B-SFH-1L-M32 K16B-SFH-1L-2M32 K16B-SFH-1L-PG21 K16B-SFH-1L-2PG21 K16B-SFH-1L-PG29 K16B-SFH-1L-2PG29	M32 2M32 PG21 2PG21 PG29 2PG29
	上壳 侧出线 高结构 Hoods, side entry, high construction	K16B-SEH-2B-M32 K16B-SEH-2B-M40 K16B-SEH-2B-PG21 K16B-SEH-2B-PG29	M32 M40 PG21 PG29		带塑料盖 With plastic cover K16B-SFH-1L-CV-M32 K16B-SFH-1L-CV-2M32 K16B-SFH-1L-CV-PG21 K16B-SFH-1L-CV-2PG21 K16B-SFH-1L-CV-PG29 K16B-SFH-1L-CV-2PG29	M32 2M32 PG21 2PG21 PG29 2PG29	M32 2M32 PG21 2PG21 PG29 2PG29
	上壳 顶出线 Hoods, top entry	K16B-TE-2B-M25 K16B-TE-2B-M32 K16B-TE-2B-PG21	M25 M32 PG21		带金属盖 With metal cover K16B-SFH-1L-MCV-M32 K16B-SFH-1L-MCV-2M32 K16B-SFH-1L-MCV-PG21 K16B-SFH-1L-MCV-2PG21 K16B-SFH-1L-MCV-PG29 K16B-SFH-1L-MCV-2PG29	M32 2M32 PG21 2PG21 PG29 2PG29	M32 2M32 PG21 2PG21 PG29 2PG29
	上壳 顶出线 高结构 Hoods, top entry, high construction	K16B-TEH-2B-M32 K16B-TEH-2B-M40 K16B-TEH-2B-PG21 K16B-TEH-2B-PG29	M32 M40 PG21 PG29				
	下壳 电缆对接 Housings, cable to cable	K16B-CCT-1L-M25 K16B-CCT-1L-M32 K16B-CCT-1L-PG21	M25 M32 PG21				
	下壳 电缆对接 高结构 Housings, cable to cable high construction	K16B-CCTH-1L-M32 K16B-CCTH-1L-M40 K16B-CCTH-1L-PG21 K16B-CCTH-1L-PG29	M32 M40 PG21 PG29				
	下壳 不封底 Housings, bulkhead mounting	K16B-BK-1L 带塑料盖 With plastic cover K16B-BK-1L-CV 带金属盖 With metal cover K16B-BK-1L-MCV					
	下壳 封底 Housings, surface mounting	K16B-SF-1L-M25 K16B-SF-1L-2M25 K16B-SF-1L-PG21 K16B-SF-1L-2PG21	M25 2M25 PG21 2PG21				
	下壳 封底 Housings, surface mounting	带塑料盖 With plastic cover K16B-SF-1L-CV-M25 K16B-SF-1L-CV-2M25 K16B-SF-1L-CV-PG21 K16B-SF-1L-CV-2PG21 带金属盖 With metal cover K16B-SF-1L-MCV-M25 K16B-SF-1L-MCV-2M25 K16B-SF-1L-MCV-PG21 K16B-SF-1L-MCV-2PG21	M25 M25 PG21 2PG21 M25 2M25 PG21 2PG21				

► K24B系列金属壳体 Metal Hoods & Housings

外壳Hoods&Housings	描述 Description	型号 Type	螺纹 Thread	外壳Hoods&Housings	描述 Description	型号 Type	螺纹 Thread
	上壳 侧出线 Hoods, side entry	K24B-SE-4B-M25 K24B-SE-4B-M32 K24B-SE-4B-PG21	M25 M32 PG21		上壳 侧出线 Hoods, side entry	K24B-SE-2L-M25 K24B-SE-2L-M32 K24B-SE-2L-PG21	M25 M32 PG21
	上壳 侧出线 高结构 Hoods, side entry, high construction	K24B-SEH-4B-M32 K24B-SEH-4B-M40 K24B-SEH-4B-PG21 K24B-SEH-4B-PG29	M32 M40 PG21 PG29		上壳 侧出线 高结构 Hoods, side entry, high construction	K24B-SEH-2L-M32 K24B-SEH-2L-M40 K24B-SEH-2L-PG21 K24B-SEH-2L-PG29	M32 M40 PG21 PG29
	上壳 顶出线 Hoods, top entry	K24B-TE-4B-M25 K24B-TE-4B-M32 K24B-TE-4B-PG21	M25 M32 PG21		上壳 顶出线 Hoods, top entry	K24B-TE-2L-M25 K24B-TE-2L-M32 K24B-TE-2L-PG21	M25 M32 PG21
	上壳 顶出线 高结构 Hoods, top entry, high construction	K24B-TEH-4B-M32 K24B-TEH-4B-M40 K24B-TEH-4B-PG21 K24B-TEH-4B-PG29	M32 M40 PG21 PG29		上壳 顶出线 高结构 Hoods, top entry, high construction	K24B-TEH-2L-M32 K24B-TEH-2L-M40 K24B-TEH-2L-PG21 K24B-TEH-2L-PG29	M32 M40 PG21 PG29
	下壳 电缆对接 Housings, cable to cable	K24B-CCT-2L-M25 K24B-CCT-2L-M32 K24B-CCT-2L-PG21	M25 M32 PG21		下壳 不封底 Housings, bulkhead mounting	K24B-BK-4B 带塑料盖 With plastic cover K24B-BK-4B-CV 带金属盖 With metal cover K24B-BK-4B-MCV	
	下壳 电缆对接 高结构 Housings, cable to cabl high construction	K24B-CCTH-2L-M32 K24B-CCTH-2L-M40 K24B-CCTH-2L-PG21 K24B-CCTH-2L-PG29	M32 M40 PG21 PG29		下壳 封底 Housings, surface mounting	K24B-SF-4B-M25 K24B-SF-4B-2M25 K24B-SF-4B-PG21 K24B-SF-4B-2PG21	M25 2M25 PG21 2PG21
	下壳 不封底 Housings, bulkhead mounting	K24B-BK-2L			下壳 封底 Housings, surface mounting	带塑料盖 With plastic cover K24B-SF-4B-CV-M25 K24B-SF-4B-CV-2M25 K24B-SF-4B-CV-PG21 K24B-SF-4B-CV-2PG21 带金属盖 With metal cover K24B-SF-4B-MCV-M25 K24B-SF-4B-MCV-2M25 K24B-SF-4B-MCV-PG21 K24B-SF-4B-MCV-2PG21	M25 2M25 PG21 2PG21 M25 2M25 PG21 2PG21
	下壳 封底 Housings, surface mounting	K24B-SF-2L-M25 K24B-SF-2L-2M25 K24B-SF-2L-PG21 K24B-SF-2L-2PG21	M25 2M25 PG21 2PG21		下壳 封底 高结构 Housings, surface mounting high construction	K24B-SFH-4B-M32 K24B-SFH-4B-2M32 K24B-SFH-4B-PG21 K24B-SFH-4B-2PG21 K24B-SFH-4B-PG29 K24B-SFH-4B-2PG29	M32 2M32 PG21 2PG21 PG29 2PG29
	下壳 封底 高结构 Housings, surface mounting high construction	K24B-SFH-2L-M32 K24B-SFH-2L-2M32 K24B-SFH-2L-PG21 K24B-SFH-2L-2PG21 K24B-SFH-2L-PG29 K24B-SFH-2L-2PG29	M32 2M32 PG21 2PG21 PG29 2PG29		下壳 封底 高结构 Housings, surface mounting high construction	带塑料盖 With plastic cover K24B-SFH-4B-CV-M32 K24B-SFH-4B-CV-2M32 K24B-SFH-4B-CV-PG21 K24B-SFH-4B-CV-2PG21 K24B-SFH-4B-CV-PG29 K24B-SFH-4B-CV-2PG29 带金属盖 With metal cover K24B-SFH-4B-MCV-M32 K24B-SFH-4B-MCV-2M32 K24B-SFH-4B-MCV-PG21 K24B-SFH-4B-MCV-2PG21 K24B-SFH-4B-MCV-PG29 K24B-SFH-4B-MCV-2PG29	M32 2M32 PG21 2PG21 PG29 2PG29 M32 2M32 PG21 2PG21 PG29 2PG29



► K24B系列金属壳体 Metal Hoods & Housings

外壳Hoods&Housings	描述 Description	型号 Type	螺纹 Thread	外壳Hoods&Housings	描述 Description	型号 Type	螺纹 Thread
	上壳 侧出线 Hoods, side entry	K24B-SE-2B-M25 K24B-SE-2B-M32 K24B-SE-2B-PG21	M25 M32 PG21		下壳 封底 高结构 Housings, surface mounting high construction	K24B-SFH-1L-M32 K24B-SFH-1L-2M32 K24B-SFH-1L-PG21 K24B-SFH-1L-2PG21 K24B-SFH-1L-PG29 K24B-SFH-1L-2PG29	M32 2M32 PG21 2PG21 PG29 2PG29
	上壳 侧出线 高结构 Hoods, side entry, high construction	K24B-SEH-2B-M32 K24B-SEH-2B-M40 K24B-SEH-2B-PG21 K24B-SEH-2B-PG29	M32 M40 PG21 PG29		下壳 封底 高结构 Housings, surface mounting high construction	带塑料盖 With plastic cover K24B-SFH-1L-MCV-M32 K24B-SFH-1L-MCV-2M32 K24B-SFH-1L-MCV-PG21 K24B-SFH-1L-MCV-2PG21 K24B-SFH-1L-MCV-PG29 K24B-SFH-1L-MCV-2PG29 带金属盖 With metal cover K24B-SFH-1L-MCV-M32 K24B-SFH-1L-MCV-2M32 K24B-SFH-1L-MCV-PG21 K24B-SFH-1L-MCV-2PG21 K24B-SFH-1L-MCV-PG29 K24B-SFH-1L-MCV-2PG29	M32 2M32 PG21 2PG21 PG29 2PG29
	上壳 顶出线 Hoods, top entry	K24B-TE-2B-M25 K24B-TE-2B-M32 K24B-TE-2B-PG21	M25 M32 PG21				
	上壳 顶出线 高结构 Hoods, top entry, high constructio	K24B-TEH-2B-M32 K24B-TEH-2B-M40 K24B-TEH-2B-PG21 K24B-TEH-2B-PG29	M32 M40 PG21 PG29				
	下壳 电缆对接 Housings, cable to cable	K24B-CCT-1L-M25 K24B-CCT-1L-M32 K24B-CCT-1L-PG21	M25 M32 PG21				
	下壳 电缆对接 高结构 Housings, cable to cable high construction	K24B-CCTH-1L-M32 K24B-CCTH-1L-M40 K24B-CCTH-1L-PG21 K24B-CCTH-1L-PG29	M32 M40 PG21 PG29				
	下壳 不封底 Housings, bulkhead mounting	K24B-BK-1L 带塑料盖 With plastic cover K24B-BK-1L-CV 带金属盖 With metal cover K24B-BK-1L-MCV					
	下壳 封底 Housings, surface mounting	K24B-SF-1L-M25 K24B-SF-1L-2M25 K24B-SF-1L-PG21 K24B-SF-1L-2PG21	M25 2M25 PG21 2PG21				
	下壳 封底 Housings, surface mounting	带塑料盖 With plastic cover K24B-SF-1L-MCV-M25 K24B-SF-1L-MCV-2M25 K24B-SF-1L-MCV-PG21 K24B-SF-1L-MCV-2PG21 带金属盖 With metal cover K24B-SF-1L-MCV-M25 K24B-SF-1L-MCV-2M25 K24B-SF-1L-MCV-PG21 K24B-SF-1L-MCV-2PG21	M25 2M25 PG21 2PG21				

► K32B系列金属壳体 Metal Hoods & Housings

外壳Hoods&Housings	描述 Description	型号 Type	螺纹 Thread	外壳Hoods&Housings	描述 Description	型号 Type	螺纹 Thread
	上壳 侧出线 Hoods, side entry	K32B-SE-2B-M32 K32B-SE-2B-M40 K32B-SE-2B-M50 K32B-SE-2B-PG29 K32B-SE-2B-PG36 K32B-SE-2B-PG42	M32 M40 M50 PG29 PG36 PG42		上壳 顶出线 Hoods, top entry	K32B-TE-2B-M32 K32B-TE-2B-M40 K32B-TE-2B-M50 K32B-TE-2B-PG29 K32B-TE-2B-PG36 K32B-TE-2B-PG42	M32 M40 M50 PG29 PG36 PG42
	不封底下壳 Housings, bulkhead mounting	K32B-BK-1L 带塑料盖 With plastic cover K32B-BK-1L-CV					
	封底下壳 Housings, surface mounting	K32B-SF-1L-M32 K32B-SF-1L-2M32 K32B-SF-1L-M40 K32B-SF-1L-2M40 K32B-SF-1L-PG29 K32B-SF-1L-2PG29 K32B-SF-1L-PG36 K32B-SF-1L-2PG36	M32 2M32 M40 2M40 PG29 2PG29 PG36 2PG36				
	封底下壳 Housings, surface mounting	带塑料盖 With plastic cover K32B-SF-1L-MCV-M32 K32B-SF-1L-MCV-2M32 K32B-SF-1L-MCV-M40 K32B-SF-1L-MCV-2M40 K32B-SF-1L-MCV-PG29 K32B-SF-1L-MCV-2PG29 K32B-SF-1L-MCV-PG36 K32B-SF-1L-MCV-2PG36	M32 2M32 M40 2M40 PG29 2PG29 PG36 2PG36				
	上壳 侧出线 Hoods, side entry	K32B-SE-4B-M40 K32B-SE-4B-M50 K32B-SE-4B-PG29 K32B-SE-4B-PG36 K32B-SE-4B-PG42	M40 M50 PG29 PG36 PG42				
	上壳 顶出线 Hoods, top entry	K32B-TE-4B-M32 K32B-TE-4B-M40 K32B-TE-4B-M50 K32B-TE-4B-PG29 K32B-TE-4B-PG36 K32B-TE-4B-PG42	M32 M40 M50 PG29 PG36 PG42				
	不封底下壳 Housings, bulkhead mounting	K32B-BK-2L					
	封底下壳 Housings, surface mounting	K32B-SF-2L-M32 K32B-SF-2L-2M32 K32B-SF-2L-M40 K32B-SF-2L-2M40 K32B-SF-2L-PG29 K32B-SF-2L-2PG29 K32B-SF-2L-PG36 K32B-SF-2L-2PG36 K32B-SF-2L-PG42 K32B-SF-2L-2PG42	M32 2M32 M40 2M40 PG29 2PG29 PG36 2PG36 PG42 2PG42				

外壳Hoods&Housings	描述 Description	型号 Type	螺纹 Thread
	飞线下壳 Housings, cable to cable	K32B-CCT-2L-M32 K32B-CCT-2L-M40 K32B-CCT-2L-M50 K32B-CCT-2L-PG29 K32B-CCT-2L-PG36 K32B-CCT-2L-PG42	M32 M40 M50 PG29 PG36 PG42
	不封底下壳 Housings, bulkhead mounting	K32B-BK-4B 带塑料盖 With plastic cover K32B-BK-4B-CV 带金属盖 With metal cover K32B-BK-4B-MCV	
	封底下壳 Housings, surface mounting	K32B-SF-4B-M32 K32B-SF-4B-2M32 K32B-SF-4B-M40 K32B-SF-4B-2M40 K32B-SF-4B-PG29 K32B-SF-4B-2PG29 K32B-SF-4B-PG36 K32B-SF-4B-2PG36 K32B-SF-4B-PG42	M32 2M32 M40 2M40 PG29 2PG29 PG36 2PG36 PG42
	上壳 侧出线 Hoods, side entry	H32B-SE-2L-M32 H32B-SE-2L-PG29	M32 PG29
	上壳 顶出线 Hoods, top entry	K32B-TE-2L-M32 K32B-TE-2L-M40 K32B-TE-2L-M50 K32B-TE-2L-PG29 K32B-TE-2L-PG36 K32B-TE-2L-PG42	M32 M40 M50 PG29 PG36 PG42

► K48B系列金属壳体 Metal Hoods & Housings

外壳Hoods&Housings	描述 Description	型号 Type	螺纹 Thread
	上壳 侧出线 Hoods, side entry	K48B-SE-2B-M32 K48B-SE-2B-M40 K48B-SE-2B-M50 K48B-SE-2B-PG29 K48B-SE-2B-PG36 K48B-SE-2B-PG42	M32 M40 M50 PG29 PG36 PG42
	上壳 顶出线 Hoods, top entry	K48B-TE-2B-M32 K48B-TE-2B-M40 K48B-TE-2B-M50 K48B-TE-2B-PG29 K48B-TE-2B-PG36 K48B-TE-2B-PG42	M32 M40 M50 PG29 PG36 PG42
	不封底下壳 Housings, bulkhead mounting	K48B-BK-1L 带塑料盖 With plastic cover K48B-BK-1L-CV	
	封底下壳 Housings, surface mounting	K48B-SF-1L-M32 K48B-SF-1L-2M32 K48B-SF-1L-M40 K48B-SF-1L-2M40 K48B-SF-1L-2M50 K48B-SF-1L-PG29 K48B-SF-1L-2PG29 K48B-SF-1L-PG36 K48B-SF-1L-2PG36	M32 2M32 M40 2M40 2M50 PG29 2PG29 PG36 2PG36
	封底下壳 Housings, surface mounting	带塑料盖 With plastic cover K48B-SF-1L-MCV-M32 K48B-SF-1L-MCV-2M32 K48B-SF-1L-MCV-M40 K48B-SF-1L-MCV-2M40 K48B-SF-1L-MCV-PG29 K48B-SF-1L-MCV-2PG29 K48B-SF-1L-MCV-PG36 K48B-SF-1L-MCV-2PG36	M32 2M32 M40 2M40 PG29 2PG29 PG36 2PG36



▶ 外壳安装尺寸 Housings Mounting Dimensions

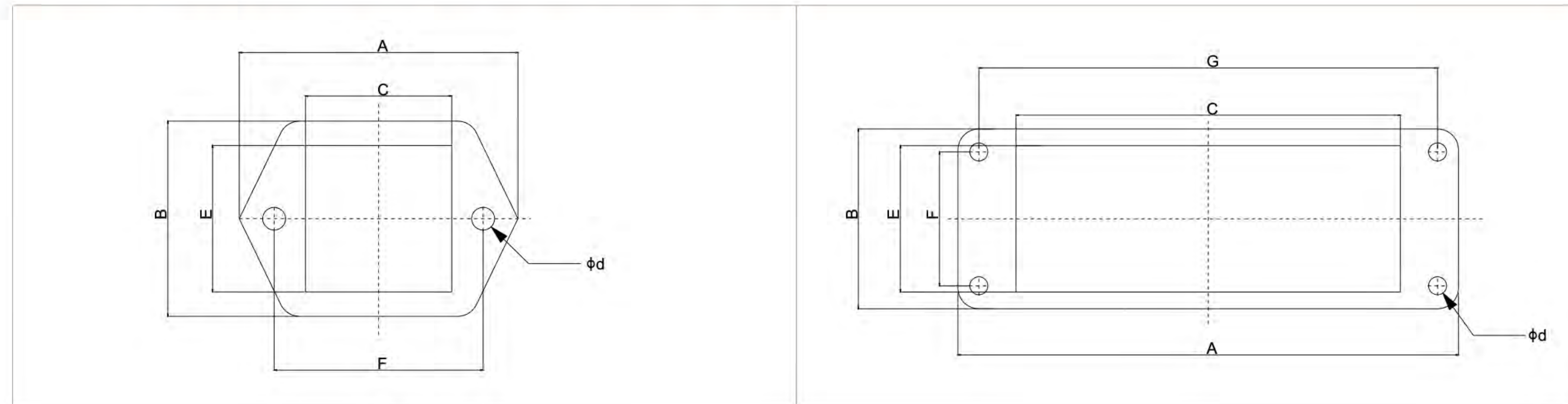
		顶部进线 Top Entry					侧面进线 Side Entry							
1 Locking levers														
2 Locking levers														
Drawing(mm)														
Series	A	B	H	M	PG	Part number		A	B	H	M	PG	Part number	
						2bolts	4bolts						2bolts	4bolts
K3A	28	27	60	M20	PG11	K3A-TE-2B		28	27	54.5	M20	PG11	K3A-SE-2B	
K10A	63	29.5	47	M20	PG13.5	K10A-TE-2B		63	29.5	51.5	M20	PG13.5	K10A-SE-2B	
	63	36	67.5	M25	PG16	K10A-TEH-2B		63	36	67.5	M25	PG16	K10A-SEH-2B	
K16A	79.5	29.5	47	M20	PG13.5	K16A-TE-2B		79.5	29.5	61.5	M20	PG13.5	K16A-SE-2B	
	79.5	36	70.5	M25	PG16	K16A-TEH-2B		79.5	36	70.5	M25	PG16	K16A-SEH-2B	
K32A	82	56	79	M32	PG29		K32A-TEH-4B	82	56	60	M25	PG21		K32A-SE-4B
								82	56	79	M32	PG29		K32A-SEH-4B
K6B	60	43	40	M20	PG13.5	K6B-TE-2B		60	43	43	M20	PG13.5	K6B-SE-2B	
	60	43	72	M32	PG21	K6B-TEH-2B		60	43	72	M32	PG21	K6B-SEH-2B	
K10B	73	43	45	M25	PG16	K10B-TE-2B	K10B-TE-4B	73	43	57	M25	PG16	K10B-SE-2B	K10B-SE-4B
	73	43	72	M32	PG21	K10B-TEH-2B	K10B-TEH-4B	73	43	72	M32	PG21	K10B-SEH-2B	K10B-SEH-4B
K16B	93.5	43	45	M25	PG21	K16B-TE-2B	K16B-TE-4B	93.5	43	62.5	M25	PG21	K16B-SE-2B	K16B-SE-4B
	93.5	43	76	M32	PG29	K16B-TEH-2B	K16B-TEH-4B	93.5	43	76	M32	PG29	K16B-SEH-2B	K16B-SEH-4B
K24B	120	43	55	M32	PG21	K24B-TE-2B	K24B-TE-4B	120	43	62.5	M32	PG21	K24B-SE-2B	K24B-SE-4B
	120	43	76	M40	PG29	K24B-TEH-2B	K24B-TEH-4B	120	43	76	M40	PG29	K24B-SEH-2B	K24B-SEH-4B
K32B	94	82.5	94	M40	PG36	K32B-TE-2B	K32B-TE-4B	94	82.5	94	M40	PG36	K32B-SE-2B	K32B-SE-4B
K48B	132	90	98	M50	PG42	K48B-TE-2B		132	90	98	M50	PG42	K48B-SE-2B	

▶ 外壳安装尺寸 Housings Mounting Dimensions

		开孔安装 Bulkhead Mounting					表面安装 Surface Mounting									
1 Locking levers																
2 Locking levers																
Drawing(mm)																
Series	A	B	C	E	H	Part number		A	B	C	E	H	M	PG	Part number	
						1 Locking levers	2 Locking levers								1 Locking levers	2 Locking levers
K3A	28	40		28	23	K3A-BK-1L		30	40		57	27	M20	PG11	K3A-SF-1L	
	28	40		28	23	K3A-BK-1L-MCV										
K10A	70	81	17.5	29	26	K10A-BK-1L		48	75	40	50	52	M20	PG16	K10A-SF-1L	
K16A	86	96	17.5	29	26	K16A-BK-1L		64	80	40	50	57	M25	PG16	K16A-SF-1L	
K32A	92	102	42	56	28.5		K32A-BK-2L	94	106	46	57	82	M32	PG21		K32A-SF-2L
K6B	70	80	32	43.5	28.5	K6B-BK-1L		70	82	40	52	57	M25	PG16	K6B-SF-1L	
								70	82	45	57	74	M32	PG21	K6B-SFH-1L	
K10B	83	93	32	43.5	28.5	K10B-BK-1L		82	94	40	52	54	M25	PG16	K10B-SF-1L	K10B-SF-2L
	83	93	32	43.5	28.5		K10B-BK-2L	82	94	45	57	81	M32	PG21	K10B-SFH-1L	K10B-SFH-2L
K16B	103	113	32	43.5	28.5	K16B-BK-1L		105	117	45	57	56	M25	PG21	K16B-SF-1L	K16B-SF-2L
	103	113	32	43.5	28.5		K16B-BK-2L	105	117	45	57	81	M32	PG29	K16B-SFH-1L	K16B-SFH-2L
K24B	130	140	32	43.5	28.5	K24B-BK-1L		132	144	45	57	56	M25	PG21	K24B-SF-1L	K24B-SF-2L
	130	140	32	43.5	28.5		K24B-BK-2L	132	144	45	57	81	M25	PG21	K24B-SFH-1L	K24B-SFH-2L
K32B	110	124	65	90	33	K32B-BK-1L		112	125	67	87	90	M40	PG36	K32B-SF-1L	K32B-SF-2L
	110	124	65	90	33		K32B-BK-2L									
K48B	148	165	70	96	40	K48B-BK-1L		111	141	106	120	99	M40	PG36	K48B-SF-1L	



▶ 外壳安装尺寸 Housings Mounting Dimensions



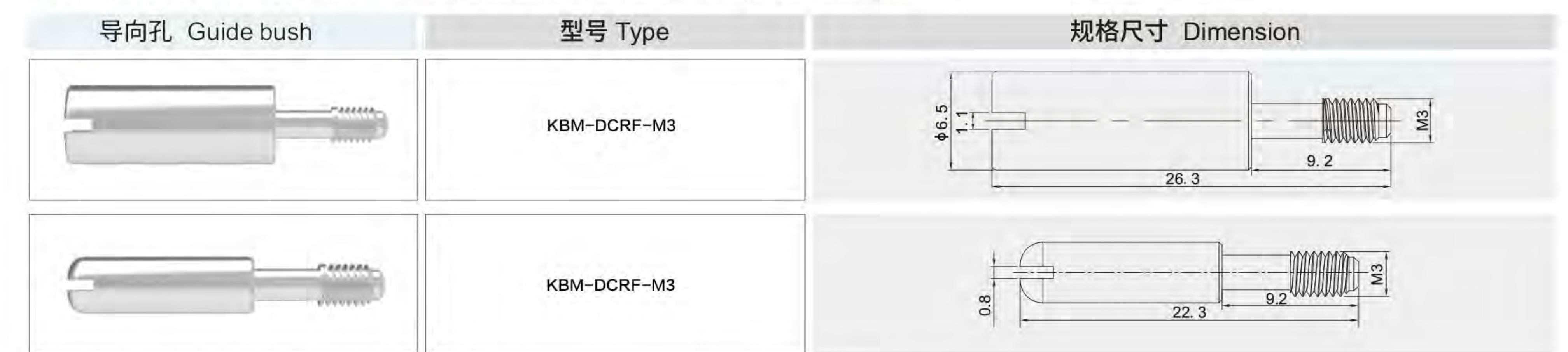
Housings type	Mounting type	Dimensions(mm)						
		A	B	C	E	F	G	φd
K3A	Bulkhead	40	28	21	21	30	-	3.3
	Surface	40	28	-	-	30	-	3.3
K10A	Bulkhead	81	29.5	57.5	24	17.5	70	3.6
	Surface	80	50	-	-	40	48	4.5
K16A	Bulkhead	96	29.5	73.7	24	17.5	86	3.6
	Surface	96	50	-	-	40	64	4.5
K32A	Bulkhead	102	56	74.2	48.4	42	92	4.3
	Surface	106	57	-	-	46	94	5.5
K6B	Bulkhead	80	43	52.2	35	32	70	4.3
	Surface	82	52	-	-	40	70	5.5
K10B	Bulkhead	93	43	65.2	35	32	83	4.3
	Surface	94	52	-	-	40	82	5.5
K16B	Bulkhead	113	43	85.5	35	32	103	4.3
	Surface	117	57	-	-	45	105	5.5
K24B	Bulkhead	140	43	112.2	35	32	130	4.3
	Surface	144	57	-	-	45	132	5.5
K32B	Bulkhead	124	79	85.5	71	65	110	5.5
	Surface	124.5	81	-	-	67	112	5.5
K48B	Bulkhead	165	90	124	82	70	148	7
	Surface	132	120	-	-	106	111	6.5

▶ 工具 Tools

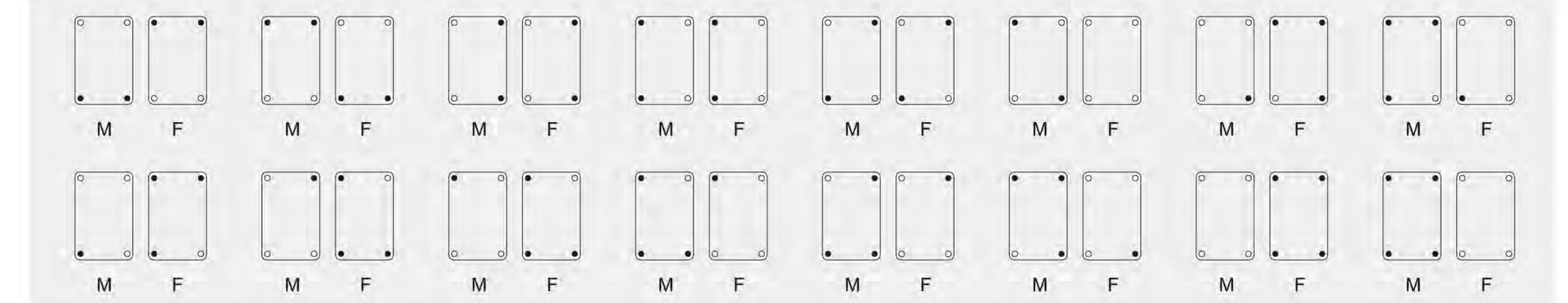


▶ 编码 Coding

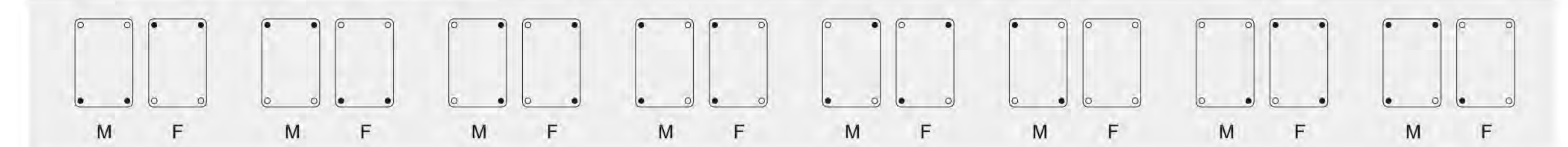
用导向销和导向孔编号 Coding system with guide pins bushes



适用于可安装一个插芯或框架的外壳 For hoods housings with one insert one frame



适用于可安装一个插芯或框架的外壳 For hoods housings with one insert one frame





冷压针 Crimp Contacts

(5A) Crimp contacts		Matching: KM inserts		Material: Copper alloy		Contact resistance $\leq 3m\Omega$	
Terminal: Crimp connection	Male Contacts	Female Contacts					
Silver plated	KF-5A-SM-0.25	KF-5A-SF-0.25					
	KF-5A-SM-0.33	KF-5A-SF-0.33					
	KF-5A-SM-0.52	KF-5A-SF-0.52					
Gold plated	KF-5A-GM-0.25	KF-5A-GF-0.25					
	KF-5A-GM-0.33	KF-5A-GF-0.33					
	KF-5A-GM-0.52	KF-5A-GF-0.52					
Wire gauge				$\phi A$	Recommended stripping length		
mm <sup>2</sup>	AWG						
0.09-0.25	28-24	0.64	5mm				
0.25-0.33	24-22	0.9	5mm				
0.33-0.52	22-20	1.12	5mm				

(10A) Crimp contacts		Matching: KD,KDD,KM,KK,KQ inserts		Material: Copper alloy		Contact resistance $\leq 3m\Omega$	
Terminal: Crimp connection	Male Contacts	Female Contacts					
Silver plated	KF-10A-SM-0.37	KF-10A-SF-0.37					
	KF-10A-SM-0.5	KF-10A-SF-0.5					
	KF-10A-SM-0.75	KF-10A-SF-0.75					
	KF-10A-SM-1.0	KF-10A-SF-1.0					
	KF-10A-SM-1.5	KF-10A-SF-1.5					
	KF-10A-SM-2.5	KF-10A-SF-2.5					
Gold plated	KF-10A-GM-0.37	KF-10A-GF-0.37					
	KF-10A-GM-0.5	KF-10A-GF-0.5					
	KF-10A-GM-0.75	KF-10A-GF-0.75					
	KF-10A-GM-1.0	KF-10A-GF-1.0					
	KF-10A-GM-1.5	KF-10A-GF-1.5					
	KF-10A-GM-2.5	KF-10A-GF-2.5					
Wire gauge				$\phi A$	Recommended stripping length		
mm <sup>2</sup>	AWG						
0.14-0.37	26-22	0.9	8mm				
0.5	20	1.1	8mm				
0.75	18	1.3	8mm				
1.0	18	1.45	8mm				
1.5	16	1.75	8mm				
2.5	14	2.25	6mm				

(16A) Crimp contacts		Matching: KA,KE,KEE,KM,KK inserts		Material: Copper alloy		Contact resistance $\leq 1m\Omega$	
Terminal: Crimp connection	Male Contacts	Female Contacts					
Silver plated	KF-16A-SM-0.37	KF-16A-SF-0.37					
	KF-16A-SM-0.5	KF-16A-SF-0.5					
	KF-16A-SM-0.75	KF-16A-SF-0.75					
	KF-16A-SM-1.0	KF-16A-SF-1.0					
	KF-16A-SM-1.5	KF-16A-SF-1.5					
	KF-16A-SM-2.5	KF-16A-SF-2.5					
Gold plated	KF-16A-GM-0.37	KF-16A-GF-0.37					
	KF-16A-GM-0.5	KF-16A-GF-0.5					
	KF-16A-GM-0.75	KF-16A-GF-0.75					
	KF-16A-GM-1.0	KF-16A-GF-1.0					
	KF-16A-GM-1.5	KF-16A-GF-1.5					
	KF-16A-GM-2.5	KF-16A-GF-2.5					
Wire gauge				$\phi A$	Recommended stripping length		
mm <sup>2</sup>	AWG						
0.14-0.37	26-22	0.9	7.5mm				
0.5	20	1.1	7.5mm				
0.75	18	1.3	7.5mm				
1.0	18	1.45	7.5mm				
1.5	16	1.75	7.5mm				
2.5	14	2.25	7.5mm				
4.0	12	2.85	7.5mm				

(40A) Crimp contacts		Matching: KM inserts		Material: Copper alloy		Contact resistance $\leq 0.3m\Omega$	
Terminal: Crimp connection	Male Contacts	Female Contacts					
Silver plated	KF-40A-SM-1.5	KF-40A-SF-1.5					
	KF-40A-SM-2.5	KF-40A-SF-2.5					
	KF-40A-SM-4.0	KF-40A-SF-4.0					
	KF-40A-SM-6.0	KF-40A-SF-6.0					
	KF-40A-SM-10	KF-40A-SF-10					
Gold plated	KF-40A-GM-1.5	KF-40A-GF-1.5					
	KF-40A-GM-2.5	KF-40A-GF-2.5					
	KF-40A-GM-4.0	KF-40A-GF-4.0					
	KF-40A-GM-6.0	KF-40A-GF-6.0					
	KF-40A-GM-10	KF-40A-GF-10					
Wire gauge				$\phi A$	Recommended stripping length		
mm <sup>2</sup>	AWG						
1.5	16	1.75	9.0mm				
2.5	14	2.25	9.0mm				
4.0	12	2.85	9.5mm				
6.0	10	3.5	9.5mm				
10	8	4.3	15mm				

(70A) Crimp contacts		Matching: KM inserts		Material: Copper alloy		Contact resistance $\leq 0.5m\Omega$	
Terminal: Crimp connection	Male Contacts	Female Contacts					
Silver plated	KF-70A-SM-10	KF-70A-SF-10					
	KF-70A-SM-16	KF-70A-SF-16					
	KF-70A-SM-25	KF-70A-SF-25					
Wire gauge				$\phi A$	Recommended stripping length		
mm <sup>2</sup>	AWG						
10	8	4.3	15.5mm				
16	6	5.5	15.5mm				
25	4	7	15.5mm				

电缆接头选型指南 Cable Connector Part Number Guidelines

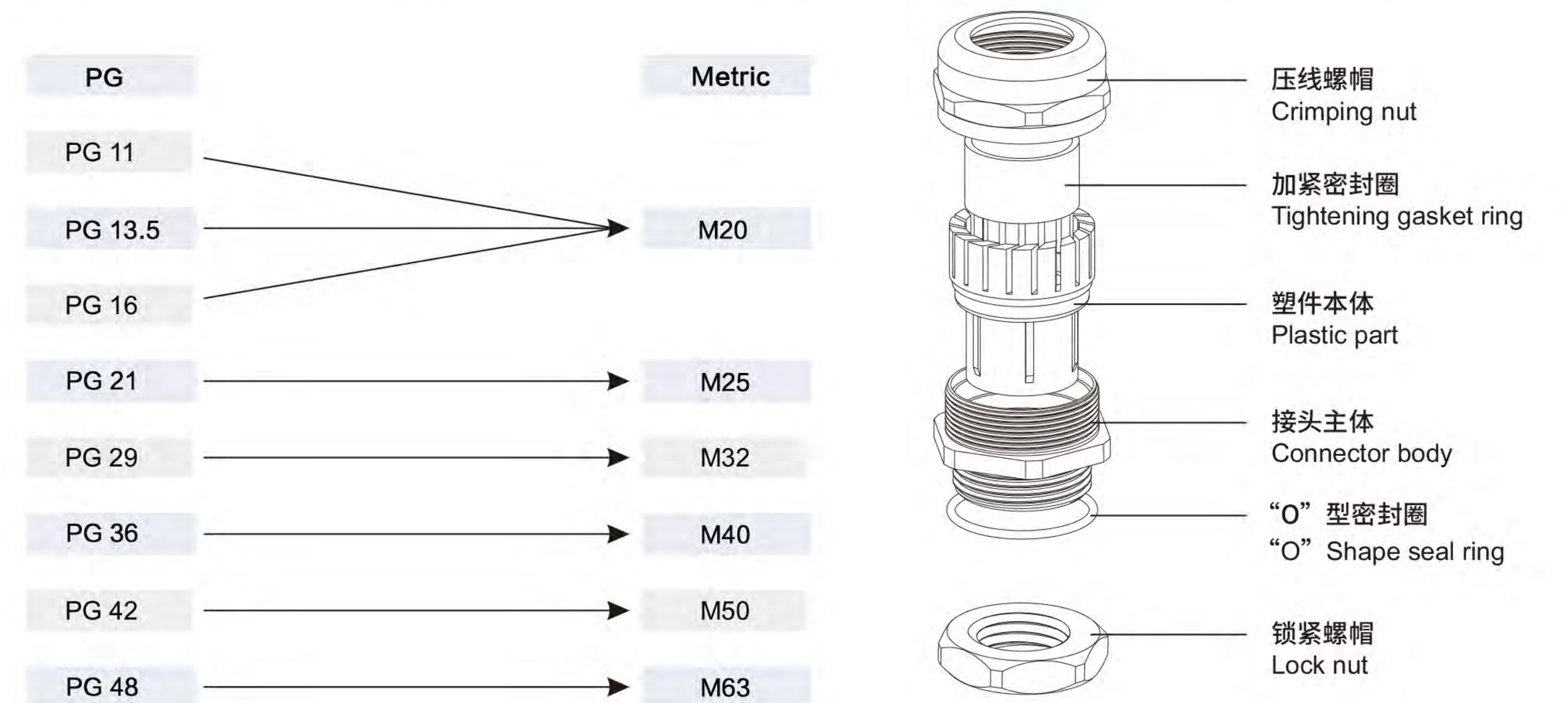
适用于标准电缆的接头规格 Suitable for standard cable connector specifications

线径 Wire gauge	芯数 Number of pins	电缆直径范围 $\phi$ Cable diameter range	M制	PG制
0.5mm <sup>2</sup>	4	6.7-9.7	20	11,13.5
	6	7.6-10.6	20	11,13.5
	10	9.4-12.8	20,25	13.5,16
	16	10.7-13.9	20,25	16,21
	24	13.5-16.7	25	21
AWG20	35	16-18.6	25,32	21,29
	40	16.6-19.2	25,32	21,29
	61	20.3-23.1	32	29

线径 Wire gauge	芯数 Number of pins	电缆直径范围 $\phi$ Cable diameter range	M制	PG制
1.0mm <sup>2</sup>	4	8.4-10.7	20	11,13.5
	6	9.2-12.6	20,25	13.5,16
	10	11-14.4	20,25	16,21
	16	13-16.2	25	21
	24	16.5-19.1	25,32	21,29
	34	19.4-21.8	32	29
AWG16-18	48	22-24.8	32	29
	61	24.5-27.2	32,40	29,36

线径 Wire gauge	芯数 Number of pins	电缆直径范围 $\phi$ Cable diameter range	M制	PG制
2.5mm <sup>2</sup>	4	11.7-14.4	20,25	11,13.5
	6	13.6-16.7	25	13.5,16
	11	18-20.6	25,32	21
	16	20.6-23.4	32	21,29
	25	26.4-29.6	40	29
AWG14	34	31.3-33.1	50	29,36
	50	37-39.4	50	36
	61	39-41.5	63	36,42

PG制螺纹与公制 (M) 螺纹对照表 Cross reference form PG thread to Metric thread

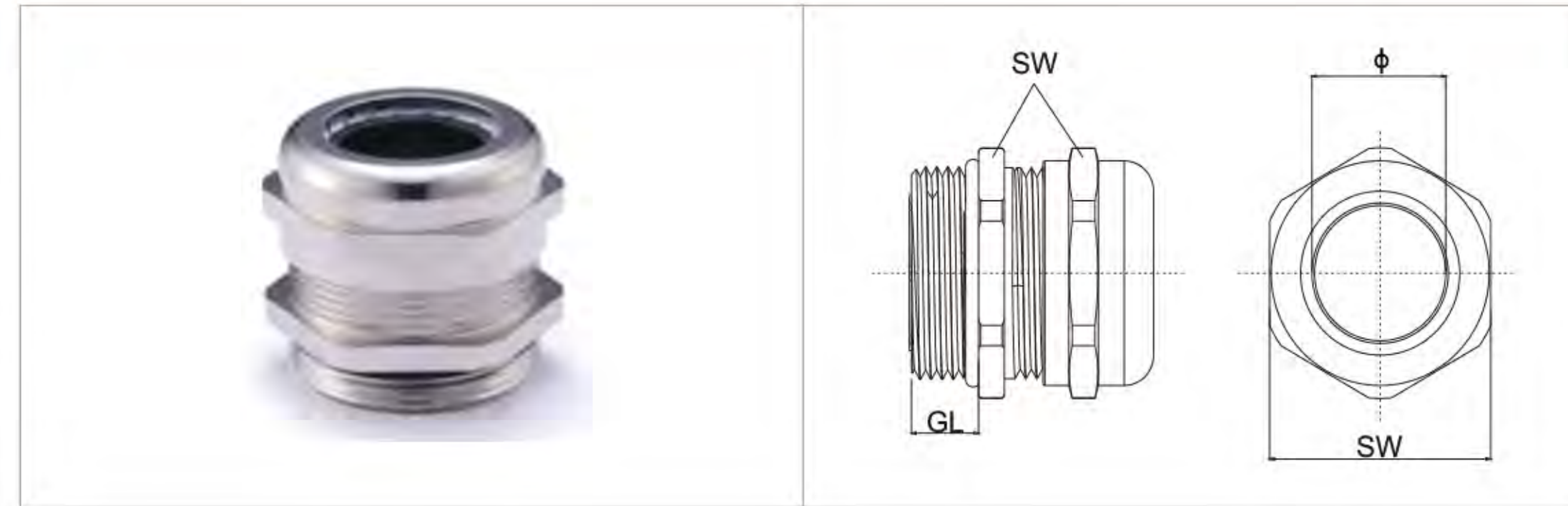




► 电缆接头 Cable Glands

**Metal cable gland**

Material: Brass nickel plated  
 Seal material: NBR  
 Degree of protection: IP68  
 Press seal material: PA  
 Temperature range: Static: -40°C~+100°C  
 Dynamic: -20°C~+80°C



Unit:mm

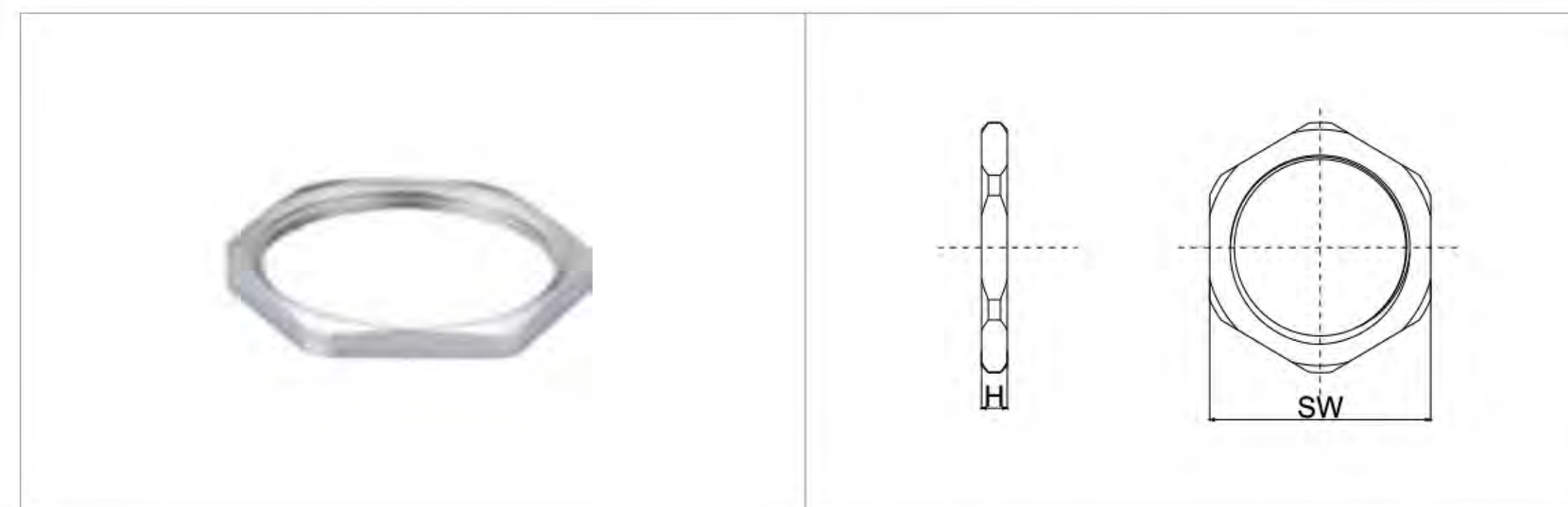
PG thread	Clamp range(φ)	SW	GL	Type
PG7	3-6.5	14	6	KFA-PG7M
PG9	4-8	17	7	KFA-PG9M
PG11	5-10	20	8	KFA-PG11M
PG13.5	6-12	22	8	KFA-PG13.5M
PG16	8-14	24	8	KFA-PG16M
PG21	13-18	30	8	KFA-PG21M
PG29	18-25	40	9	KFA-PG29M
PG36	22-32	50	10	KFA-PG36M
PG42	31-38	58	10	KFA-PG42M
PG48	37-44	64	12	KFA-PG48M

Metric	Clamp range(φ)	SW	GL	Type
M12x1.5	3-6.5	14	6	KFA-M12M
M16x1.5	5-10	18	7	KFA-M16M
M20x1.5	6-12	22	8	KFA-M20M
M25x1.5	13-18	30	8	KFA-M25M
M32x1.5	18-25	40	9	KFA-M32M
M40x1.5	22-32	50	10	KFA-M40M
M50x1.5	30-38	58	10	KFA-M50M
M63x1.5	37-44	68	12	KFA-M63M

**Metal lock unt**

Material: Brass nickel plated  
 Temperature range: -40~100°C



Unit:mm

PG thread	Thickness(H)	SW	Type
PG7	2.5	14	KFA-PG7M/S
PG9	2.8	18	KFA-PG9M/S
PG11	3.0	20	KFA-PG11M/S
PG13.5	3.0	22	KFA-PG13.5M/S
PG16	3.0	24	KFA-PG16M/S
PG21	3.5	31	KFA-PG21M/S
PG29	4.0	40	KFA-PG29M/S
PG36	5.0	52	KFA-PG36M/S
PG42	5.0	58	KFA-PG42M/S
PG48	5.5	64	KFA-PG48M/S

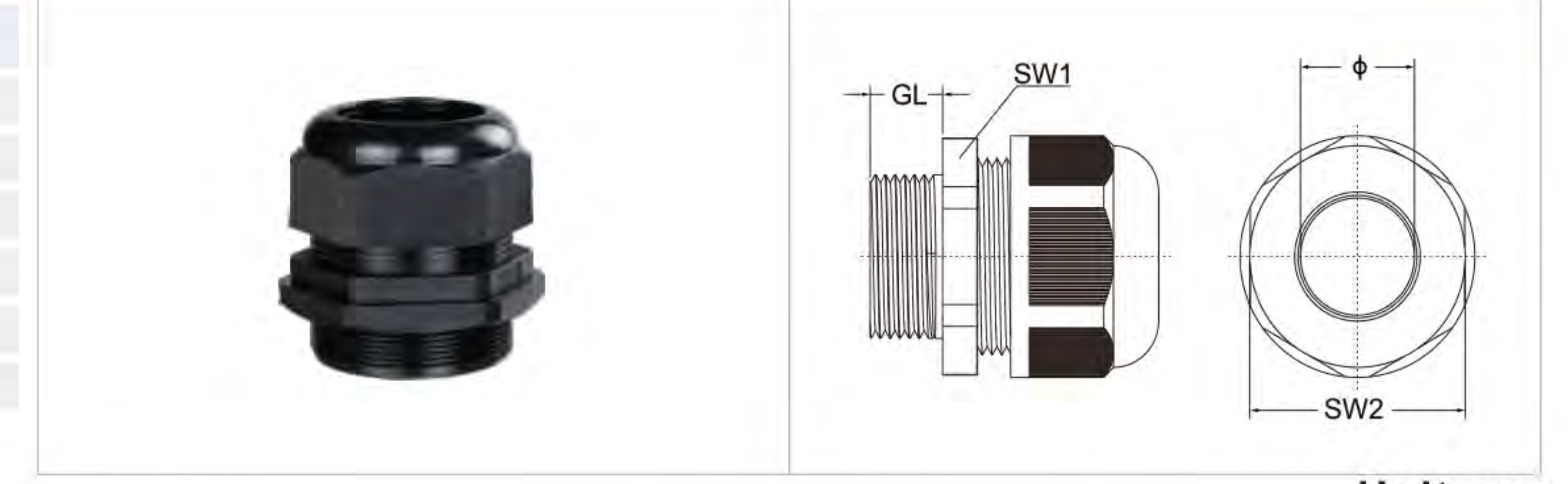
  

Metric	Thickness(H)	SW	Type
M12x1.5	2.5	14	KFA-M12M/S
M16x1.5	2.8	18	KFA-M16M/S
M20x1.5	3.0	22	KFA-M20M/S
M25x1.5	3.0	27	KFA-M25M/S
M32x1.5	3.5	35	KFA-M32M/S
M40x1.5	4.5	43	KFA-M40M/S
M50x1.5	5.0	55	KFA-M50M/S
M63x1.5	5.5	68	KFA-M63M/S

► 电缆接头 Cable Glands

**Plastics Cable gland**

Material: Nylon  
 Seal material: NBR  
 Degree of protection: IP68  
 Press seal material: PA  
 Temperature range: Static: -40°C~+100°C  
 Dynamic: -20°C~+80°C



Unit:mm

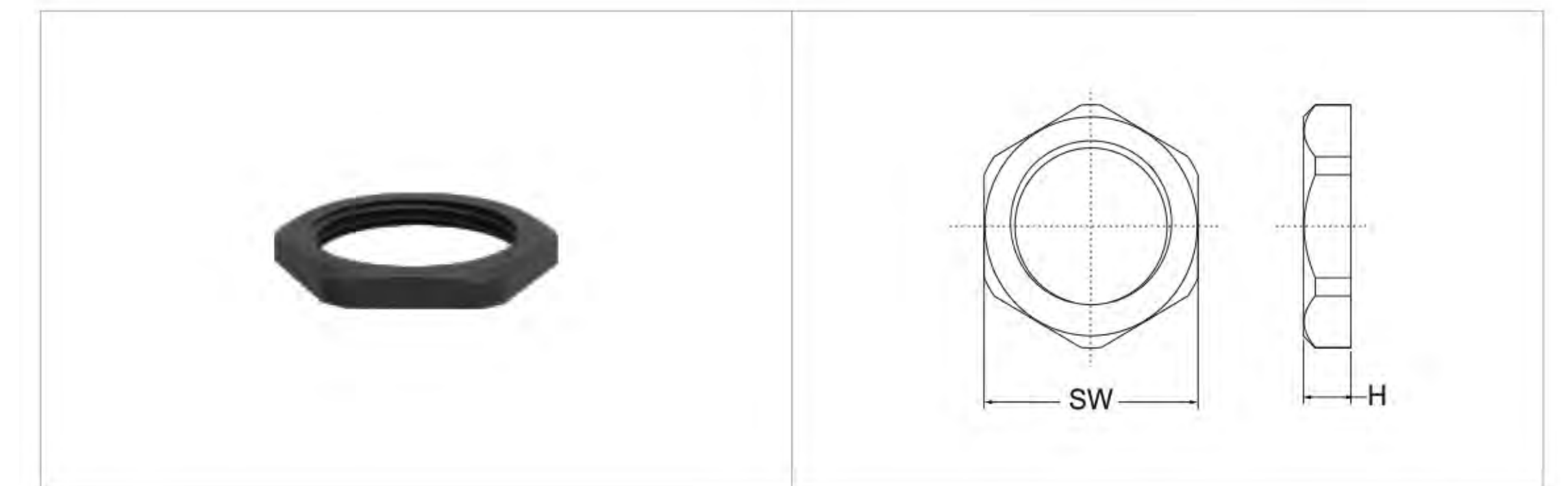
PG thread	Clamp range(φ)	SW1	SW2	GL	Type
PG7	3-6.5	14.7	14.8	8.2	KFAP-PG7P
PG9	4-8	18.7	18.8	9	KFAP-PG9P
PG11	5.5-10	22.2	22	9.7	KFAP-PG11P
PG13.5	6-12.5	23.6	24	10	KFAP-PG13.5P
PG16	8.5-14	26.5	27	11	KFAP-PG16P
PG21	12.5-18	33	32.6	12.1	KFAP-PG21P
PG29	17-25	42	40.6	12.5	KFAP-PG29P
PG36	25-32.5	53	51.2	14.8	KFAP-PG36P
PG42	31-41	61	62.3	16.1	KFAP-PG42P
PG48	37-44	64		15	KFAP-PG48P

Metric	Clamp range(φ)	SW	SW2	GL	Type
M12x1.5	3-6.5	14.8	14.8	8	KFAP-M12P
M16x1.5	4-8	18.6	18.7	8.8	KFAP-M16P
M20x1.5	6-12	23.7	24	10	KFAP-M20P
M25x1.5	13-18	33	32.6	12	KFAP-M25P
M32x1.5	18-25	42	41	12	KFAP-M32P
M40x1.5	22-32	52.5	51.5	15	KFAP-M40P
M50x1.5	31-41	61.4	62.3	16.1	KFAP-M50P
M63x1.5	35-45	67.6	67.7	18	KFAP-M63P

**Plastics lock unt**

Material: Nylon  
 Temperature range: -40~100°C



Unit:mm

PG thread	Thickness(H)	SW	Type
PG7	4.5	17	KFAP-PG7P/S
PG9	4.5	22	KFAP-PG9P/S
PG11	5.0	24	KFAP-PG11P/S
PG13.5	5.0	27	KFAP-PG13.5P/S
PG16	5.5	29	KFAP-PG16P/S
PG21	6.0	36	KFAP-PG21P/S
PG29	7.0	45.5	KFAP-PG29P/S
PG36	8.0	57	KFAP-PG36P/S
PG42	8.0	63	KFAP-PG42P/S
PG48	8.0	70	KFAP-PG48P/S

Metric	Thickness(H)	SW2	Type
M12x1.5	4.5	18	KFAP-M12P/S
M16x1.5	5.0	22	KFAP-M16P/S
M20x1.5	5.0	27	KFAP-M20P/S
M25x1.5	5.2	33	KFAP-M25P/S
M32x1.5	6.0	41	KFAP-M32P/S
M40x1.5	8.0	50	KFAP-M40P/S
M50x1.5	8.0	62.5	KFAP-M50P/S
M63x1.5	8.0	74	KFAP-M63P/S





**慈溪市科发电子有限公司**  
**KEFA ELECTRONICS CO., LTD.CIXI**

地址: 浙江省慈溪市逍林镇联振路355号 邮编: 315321  
 ADD: No.355,LianZhen Road,XiaoLin Town, Cixi City,NingBo,ZheJiang Prov.,China  
 Http: //www.cnkefa.com E-mail: manager@cnkefa.com  
 Http: //www.kefaelectronic.com

**国内贸易部**  
**DOMESTIC SALES**

国内贸易一部  
 电话: 0086-574-63502084 63518881  
 传真: 0086-574-63506928

Domestic Sales Dept 1.  
 TEL: 0086-574-63502084 63518881  
 FAX: 0086-574-63506928

国内贸易二部  
 电话: 0086-574-63512981 63516423  
 传真: 0086-574-63506423

Domestic Sales Dept 2.  
 TEL: 0086-574-63512981 63516423  
 FAX: 0086-574-63506423

国内贸易三部  
 电话: 0086-574-63512982 63506078  
 传真: 0086-574-63517199

Domestic Sales Dept 3.  
 TEL: 0086-574-63512982 63506078  
 FAX: 0086-574-63517199

国内贸易四部  
 电话: 0086-574-63515955  
 0086-574-63512985

Domestic Sales Dept 4.  
 TEL: 0086-574-63515955  
 0086-574-63512985

深圳总代理:  
 地址: 深圳市福田区华强北路华强广场D座19H房  
 电话: 0086-755-8860 0158  
 手机: 13510877202 13602554522  
 联系人: 黄先生 徐小姐

Shengzhen General Agent  
 Add: Room 19H, Block D, Huaqiang Plaza, Huaqiang  
 North Road, Futian District, Shenzhen  
 Tel: 0086-755-8860 0158  
 Mobile phone: 13510877202 13602554522  
 Contact person: Mr. Huang Miss xu

广州总代理  
 地址: 广州越秀区惠福西路175号精鸿电子城2F022室  
 电话: 0086-020-81900882  
 传真: 0086-020-81874541  
 手机: 13929545810 15302235666  
 QQ: 861046061  
 联系人: 岑先生  
 E-mail: qldz888@163.com

Guangzhou Agent  
 Add: No B2F022, Jinghong Electronic Building, No175  
 West-HuiFu Road, Yuexiu Area, Guangzhou City,China  
 Tel: 0086-020-81900882  
 Fax: 0086-020-81874541  
 Mobile phone: 13929545810 15302235666  
 QQ: 861046061  
 Contact person: Mr. Cen  
 E-mail: qldz888@163.com

**国际贸易部**  
**INTERNATIONAL TRADE**

国际贸易一部  
 联系人: 许小姐  
 电话: 0086-574-63502332  
 E-mail: International@cnkefa.com

International Trade 1  
 Contact: Liner Xu  
 TEL: 0086-574-63502332  
 E-mail: International@cnkefa.com

国际贸易二部  
 联系人: 邹小姐  
 电话: 0086-574-63509566  
 E-mail: Kefa@cnkefa.com/Vivian@cnkefa.com

International Trade 2  
 Contact: Miss Zou  
 TEL: 0086-574-63509566  
 E-mail:Kefa@cnkefa.com/Vivian@cnkefa.com

国际贸易三部  
 联系人: 岑小姐  
 电话: 0086-574-63515278  
 E-mail: bingo@cnkefa.com

International Trade 3  
 Contact: Miss Cen  
 Tel : 0086-574-63515278  
 E-mail: bingo@cnkefa.com

上海总代理  
 地址: 上海市黄浦区北京东路668号B区B210-211房间  
 电话: 0086-21-53085170 61220596  
 传真: 0086-21-60900970  
 手机: 13818001462  
 E-mail: gao\_meng\_yue@126.com  
 联系人: 高先生

Shanghai Agent  
 Add: Room B210-211, Zone B, No.668 Beijing East Road,  
 HuangPu District, Shanghai City  
 Tel:0086-21-53085170 61220596  
 Fax:0086-21-60900970  
 Mobile phone:13818001462  
 E-mail: gao\_meng\_yue@126.com  
 Contact person: Mr. Gao

南京总代理  
 地址: 南京市江宁区将军大道20号 ( 宏运电子城1楼61号 )  
 电话: 025-84548252 84537002  
 传真: 025-84549877  
 手机: 13951954548  
 QQ: 1574043362  
 联系人: 潘小姐

Nanjing agent  
 Add: Room #61,HongYuan Electronics Center,No.20,  
 JiangJun Road,JiangNing Dist.,Nanjing City,JiangSu Prov.,China  
 Tel: 025-84548252 84537002  
 Fax: 025-84549877  
 Mobile phone: 13951954548  
 QQ: 1574043362  
 Contact : Miss Pan