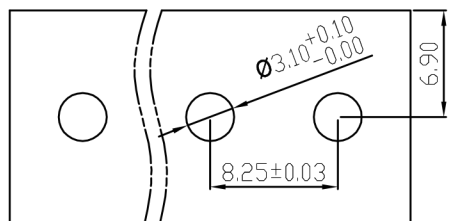


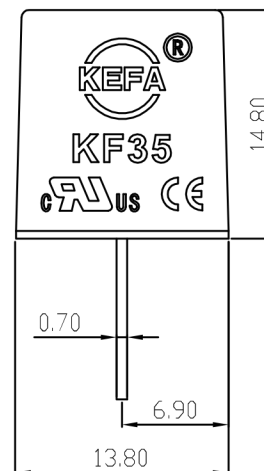
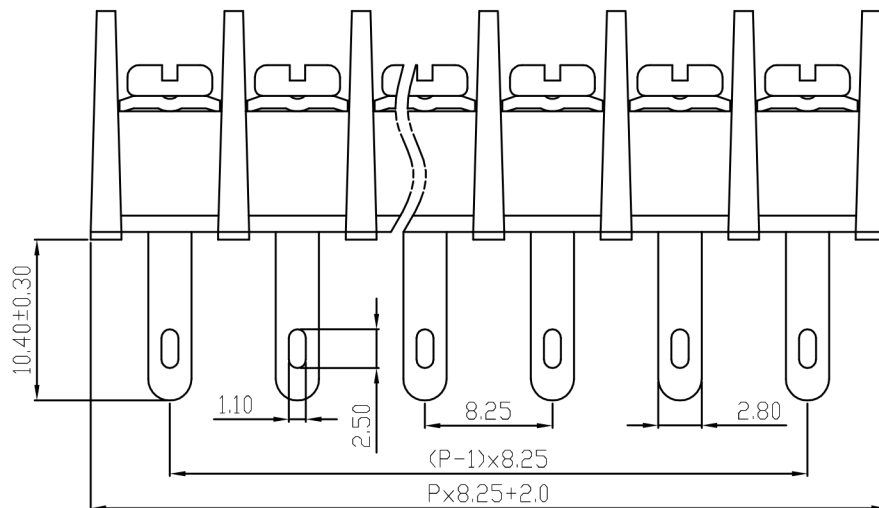
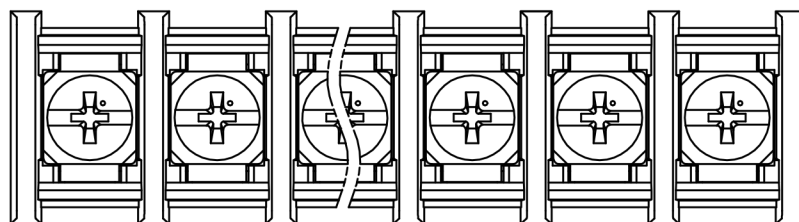
linear dimension(Tolerances Standard GB/T 14486-2008)



variable range	to 6	over 6 to 10	over 10 to 30	over 30 to 60	over 60 to 100	over 100 to 160	over 160 to	to 10	over 10 to 100	over 100 to
tolerance	±0.20	±0.30	±0.50	±0.70	±1.00	±1.30	±1.60	0.10	0.30	0.60



PCB LAYOUT



REVISION RECORD

REV.	DESCRIPTION	ECN No.	APPROVED	DATE
A	新发行		CLF	21.09.11

UL/CUL 技术参数

UL/CUL Technical Data

等级	Use Group	B	C	D
额定电压	Rated Voltage [V]	300	-	-
额定电流	Rated Current [A]	20	-	-
接线范围	Wire Range			
单/多芯线	Solid/Stranded [AWG]	22-12		

IEC 技术参数

IEC Technical Data

额定电压	Rated Voltage [V]	450
额定电流	Rated Current [A]	24
耐压	Withstanding Voltage [V/1Min]	2500V/1Min
导线截面积	Conductor cross section	2.5
硬质/柔性导线	Solid/flexible [mm ²]	

材料 Material

绝缘材料	Insulation Material	PA66
阻燃等级	Imflammability	UL94V-0
导体材料	Contact Material	铜合金 Copper alloy
导体表面镀层	Contactive Coating	镀锡 Tin Plated

一般参数 Other Data

间距	Pitch [mm]	8.25
极数	Poles [P]	02-24
剥线长度	Stripping Length [mm]	-
螺丝	Screw/扭矩 Torque(Max) [N.m]	M3/0.8
工作温度	Operating temperatur [°C]	-40~+105
引针尺寸	Pin Dimensions [mm]	10.4
PCB板孔径	PCB Hole Diameter [mm]	3.1

DES.	LQQ	DATE	21.09.11	单位/UNITS	mm	尺寸/SIZE	A4	比例/SCALE	1:1	第三视角/THIRD ANGLE PROJECTION	版本/REV	A
CHK.	BY	DATE	21.09.11	慈溪市科发电子有限公司 CIXI KEFA ELECTRONIC CO., LTD				名称/TITLE			KF35H-8.25	
APP.	CLF	DATE	21.09.11									