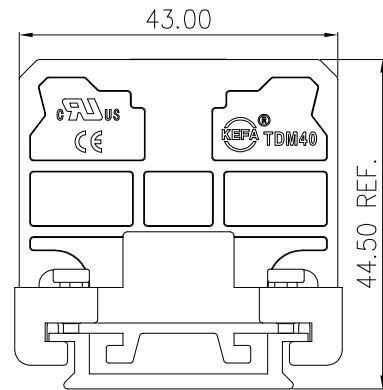
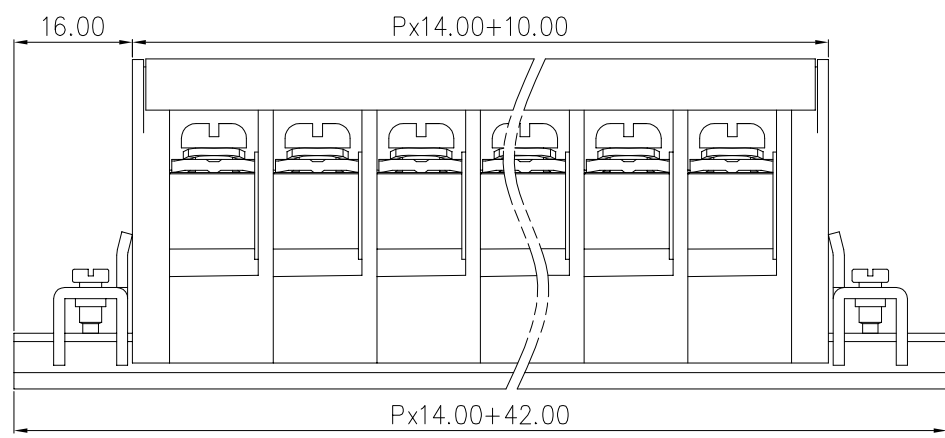
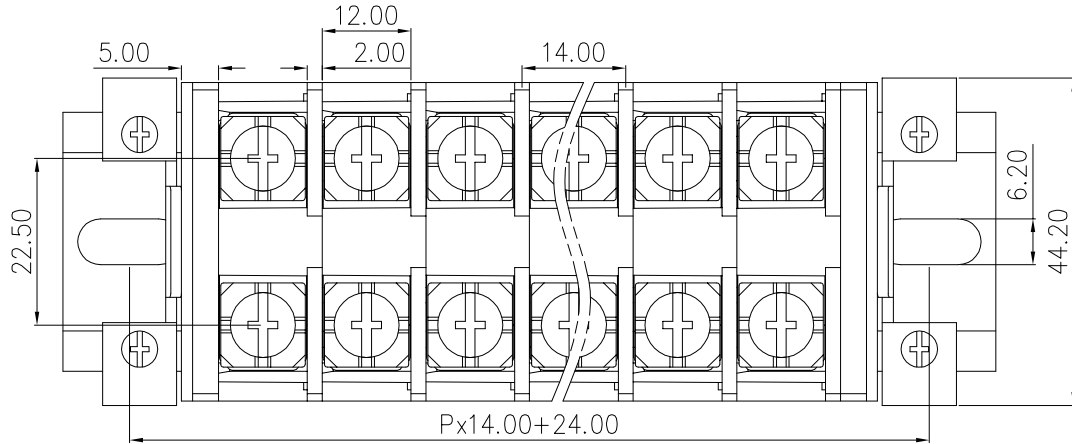


linear dimension(Tolerances Standard GB/T 14486-2008)								—		
variable range	to	over 6 to 10	over 10 to 30	over 30 to 60	over 60 to 100	over 100 to 160	over 160 to 100	to	over 10 to 100	over 100 to
tolerance	±0.20	±0.30	±0.50	±0.70	±1.00	±1.30	±1.60	0.10	0.30	0.60

REVISION RECORD				
REV.	DESCRIPTION	ECN No.	APPROVED	DATE
A	新发行		CLF	22.05.09



UL/CUL 技术参数				
UL/CUL	Technical Data	B	C	D
等级	Use Group			
额定电压	Rated Voltage [V]	600	-	-
额定电流	Rated Current [A]	40	-	-
接线范围	Wire Range	20-8		
单/多芯线	Solid/Stranded [AWG]			
IEC 技术参数				
IEC	Technical Data			
额定电压	Rated Voltage [V]	750		
额定电流	Rated Current [A]	41		
耐电压	Withstanding Voltage	3000V/1Min		
导线截面积	Conductor cross section	6.0		
硬质/柔性导线	Solid/flexible [mm ²]			
材料		Material		
绝缘材料	Insulation Material	PC		
阻燃等级	Imflamability	UL94 V-2		
导体材料	Contacting Material	铜合金 Copper alloy		
导体表面镀层	Contactive Coating	镀镍 Ni Plated		
一般参数		Other Data		
间距	Pitch [mm]	14.0		
极数	Poles [P]	01-XX		
剥线长度	Stripping Length [mm]	-		
螺丝/扭矩	Torque(Max) [N.m]	M5/2.5		
工作温度	Operating temperatur [°C]	-40~+125		
引针尺寸	Pin Dimensions [mm]	-		
PCB板孔径	PCB Hole Diameter [mm]	-		

DES.	LQQ	DATE	22.05.09	单位 / UNITS	mm	尺寸 / SIZE	A4	比例 / SCALE	1:1	第三视角 / THIRD ANGLE PROJECTION	版本 / REV	A
CHK.	BY	DATE	22.05.09		慈溪市科发电子有限公司 CIXI KEFA ELECTRONICS CO., LTD			名称 / TITLE	TD40-14.0			
APP.	CLF	DATE	22.05.09									