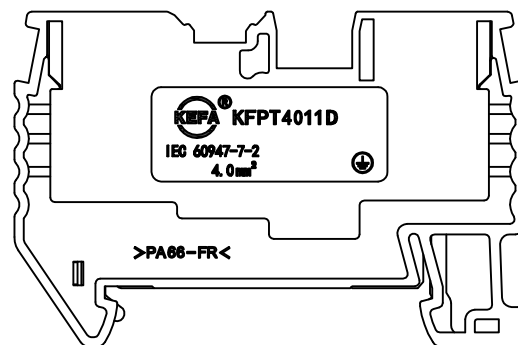
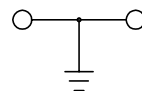
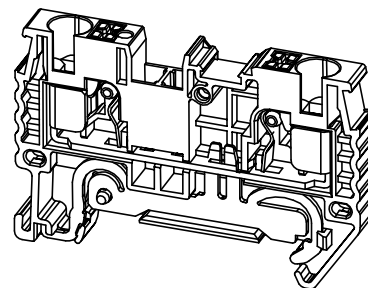
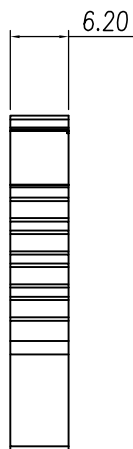
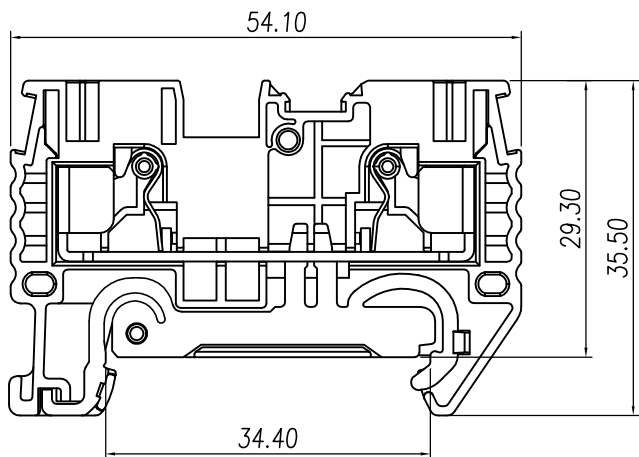


linear dimension(Tolerances Standard GB/T 14486-2008)								—		
variable range	to 6	over 6 to 10	over 10 to 30	over 30 to 60	over 60 to 100	over 100 to 160	over 160 to 10	over 10 to 100	over 100 to 100	
		±0.20	±0.30	±0.50	±0.70	±1.00	±1.30	±1.60	0.10	0.30



REVISION RECORD				
REV.	DESCRIPTION	ECN No.	APPROVED	DATE
A	新发行		CLF	21.12.30

UL/CUL 技术参数 UL/CUL Technical Data				
等级	Use Group	B	C	D
额定电压	Rated Voltage [V]	-	-	-
额定电流	Rated Current [A]	-	-	-
接线范围	Wire Range	24-10		
单/多芯线	Solid/Stranded [AWG]			
耐电压	Withstanding Voltage	-		
IEC 技术参数 IEC Technical Data				
过电压类别	Overvoltage Category	III	-	-
污染等级	Contamination Class	3	-	-
额定电压	Rated Voltage [V]	-	-	-
额定电流	Rated Current [A]	-	-	-
额定冲击电压	Impulse withstand voltagea [KV]	8.0		
导线截面积	Conductor cross section	0.2-4(6sol)		
硬质/柔性导线	Solid/flexible [mm²]			
材料		Material		
绝缘材料	Insulation Material	PA66		
阻燃等级	Imflammability	UL94V-0		
导体材料	Contacting Material	铜合金 Copper alloy		
导体表面镀层	Contactive Coating	镀锡 Tin Plated		
一般参数		Other Data		
间距	Pitch [mm]	6.2		
极数	Poles [P]	01P		
剥线长度	Stripping Length [mm]	11~13		
螺丝	Screw/扭矩 Torque(Max) [N.m]	-		
工作温度	Operating temperatur [°C]	-40~+105		
引针尺寸	Pin Dimensions [mm]	-		
PCB板孔径	PCB Hole Diameter [mm]	-		

DES.	WW	DATE	21.07.15
CHK.	BY	DATE	21.07.15
APP.	CLF	DATE	21.07.15

单位/UNITS	mm	尺寸/SIZE	A4	比例/SCALE	1:1
慈溪市科发电子有限公司 CIXI KEFA ELECTRONIC CO., LTD					

第三视角/THIRD ANGLE PROJECTION		版本/REV	A
		名称/TITLE	KFPT4011D