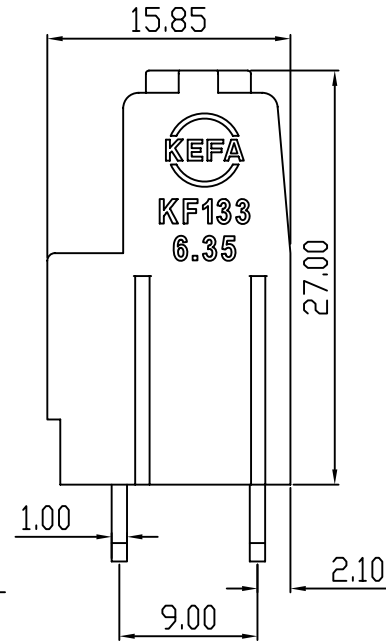
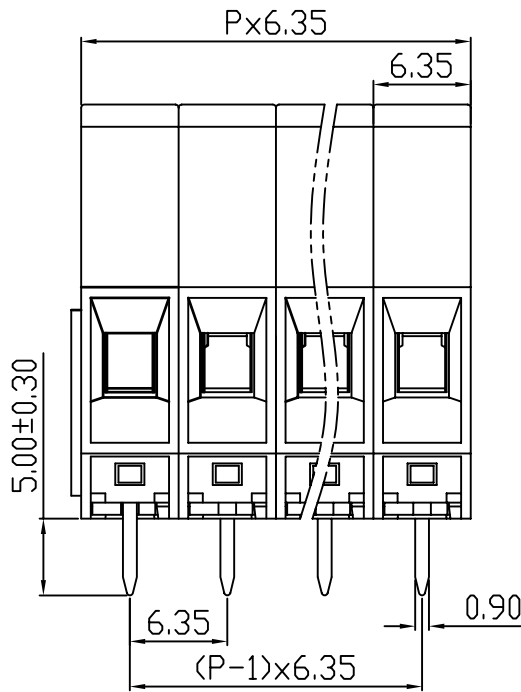
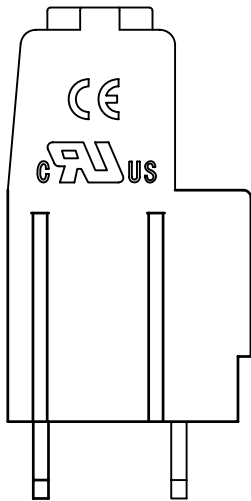
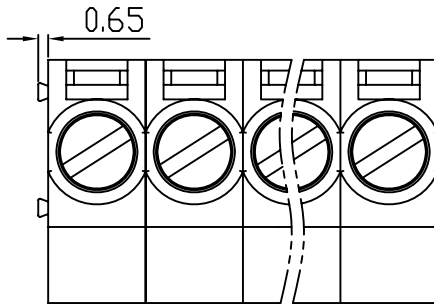
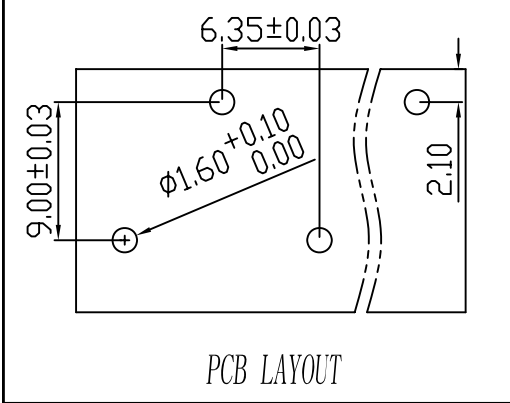


| linear dimension(Tolerances Standard GB/T 14486-2008) |       |              |               |               |                |                 |             | —     | $\square$      | $\perp$     |
|---|-------|--------------|---------------|---------------|----------------|-----------------|-------------|-------|----------------|-------------|
| variable range  | to 6  | over 6 to 10 | over 10 to 30 | over 30 to 60 | over 60 to 100 | over 100 to 160 | over 160 to | to 10 | over 10 to 100 | over 100 to |
| tolerance   | ±0.20 | ±0.30        | ±0.50         | ±0.70         | ±1.00          | ±1.30           | ±1.60       | 0.10  | 0.30           | 0.60        |

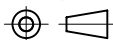


| REVISION RECORD |             |         |          |          |
|-----------------|-------------|---------|----------|----------|
| REV.            | DESCRIPTION | ECN No. | APPROVED | DATE     |
| A               | 新发行         |         | CLF      | 21.03.15 |
|                 |             |         |          |          |
|                 |             |         |          |          |

| UL/CUL 技术参数  |                  |     |      |
|--|------------------|-----|------|
| UL/CUL Technical Data                              |                  |     |      |
| 等级 Use Group                                       | B                | C   | D    |
| 额定电压 Rated Voltage [V]                             | 300              | -   | 300  |
| 额定电流 Rated Current [A]                             | 30               | -   | 10   |
| 接线范围 Wire Range                                    | 24-10            |     |      |
| 单/多芯线 Solid/Stranded [AWG]                         | 24-10            |     |      |
| 耐电压 Withstanding Voltage                           | 1600V/1Min       |     |      |
| IEC 技术参数   |                  |     |      |
| IEC Technical Data                                 |                  |     |      |
| 过电压类别 Overvoltage Category                         | III              | III | II   |
| 污染等级 Contamination Class                           | 3                | 2   | 2    |
| 额定电压 Rated Voltage [V]                             | 500              | 630 | 1000 |
| 额定电流 Rated Current [A]                             | 41               | 41  | 41   |
| 额定冲击电压 Impulse withstand voltage <sup>a</sup> [KV] | 6.0              | 6.0 | 6.0  |
| 导线截面积 Conductor cross section                      | 6.0              |     |      |
| 硬质/柔性导线 Solid/flexible [mm <sup>2</sup> ]          | 6.0              |     |      |
| 材料 Material  |                  |     |      |
| 绝缘材料 Insulation Material                           | PA66             |     |      |
| 阻燃等级 Imflammability                                | UL94V-0          |     |      |
| 导体材料 Contactor Material                            | 铜合金 Copper alloy |     |      |
| 导体表面镀层 Contactive Coating                          | 镀锡 Tin Plated    |     |      |
| 一般参数 Other Data                                    |                  |     |      |
| 间距 Pitch [mm]                                      | 6.35             |     |      |
| 极数 Poles [P]                                       | 2-24             |     |      |
| 剥线长度 Stripping Length [mm]                         | 8-9              |     |      |
| 螺丝 Screw/扭矩 Torque(Max) [N.m]                      | M3/0.5           |     |      |
| 工作温度 Operating temperatur [°C]                     | -40~+105         |     |      |
| 引针尺寸 Pin Dimensions [mm]                           | 5.0              |     |      |
| PCB板孔径 PCB Hole Diameter [mm]                      | 1.6              |     |      |

|      |     |      |          |
|------|-----|------|----------|
| DES. | LQQ | DATE | 21.03.15 |
| CHK. | SY  | DATE | 21.03.15 |
| APP. | CLF | DATE | 21.03.15 |

|  |    |           |    |            |     |
|--|----|-----------|----|------------|-----|
| 单位 / UNITS   | mm | 尺寸 / SIZE | A4 | 比例 / SCALE | 1:1 |
|  慈溪市科发电子有限公司<br>CIXI KEFA ELECTRONIC CO., LTD |    |           |    |            |     |

|   |  |            |             |
|---|--|------------|-------------|
| 第三视角 / THIRD ANGLE PROJECTION   |  | 版本 / REV   | A           |
|  |  | 名称 / TITLE | KF133B-6.35 |