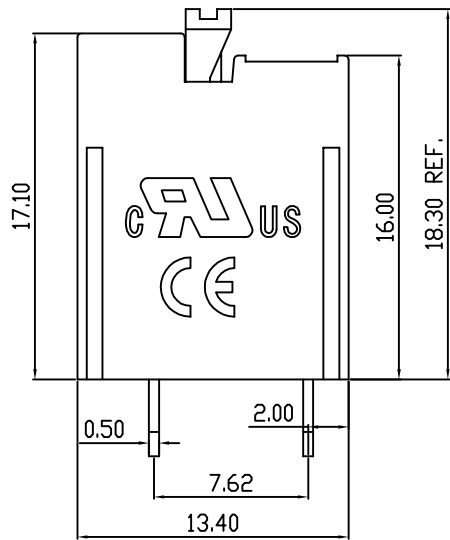
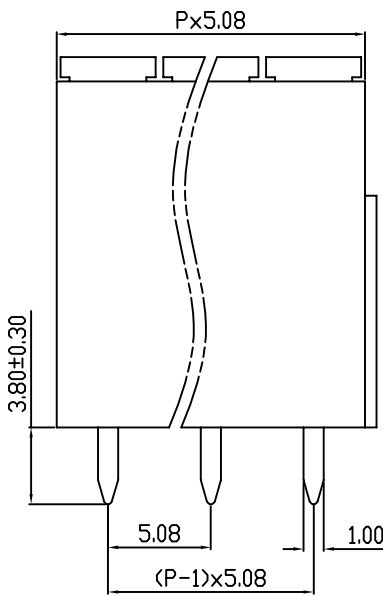
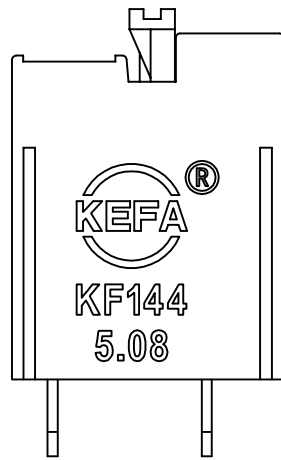
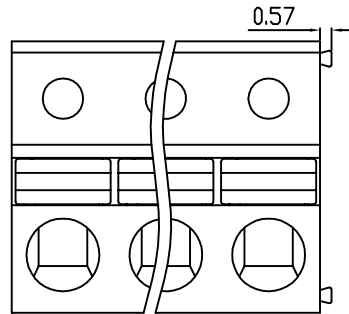
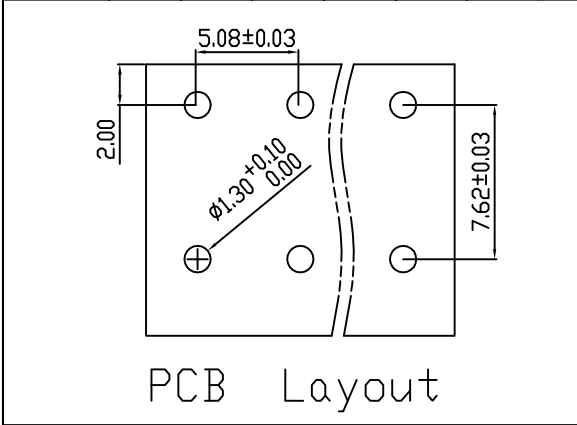


linear dimension(Tolerances Standard GB/T 14486-2008)								—		
variable range	to 6	over 6 to 10	over 10 to 30	over 30 to 60	over 60 to 100	over 100 to 160	over 160 to	to 10	over 10 to 100	over 100 to
tolerance	±0.20	±0.30	±0.50	±0.70	±1.00	±1.30	±1.60	0.10	0.30	0.60

REVISION RECORD				
REV.	DESCRIPTION	ECN No.	APPROVED	DATE
A	DESCRIPTION		CLF	21.10.09



UL/CUL 技术参数 UL/CUL Technical Data			
等级 Use Group	B	C	D
额定电压 Rated Voltage [V]	300	-	300
额定电流 Rated Current [A]	10	-	10
接线范围 Wire Range	26-16		
单/多芯线 Solid/Stranded [AWG]	26-16		
耐电压 Withstanding Voltage	1600V/1Min		
IEC 技术参数 IEC Technical Data			
过电压类别 Overvoltage Category	III	III	II
污染等级 Contamination Class	3	2	2
额定电压 Rated Voltage [V]	250	400	630
额定电流 Rated Current [A]	10	10	10
额定冲击电压 Impulse withstand voltage ^a [KV]	4.0	4.0	4.0
导线截面积 Conductor cross section	1.5		
硬质/柔性导线 Solid/flexible [mm ²]	1.5		
材料 Material			
绝缘材料 Insulation Material	PA66		
阻燃等级 Imflammability	UL94V-0		
导体材料 Contactor Material	铜合金 Copper alloy		
导体表面镀层 Contactive Coating	镀锡 Tin Plated		
一般参数 Other Data			
间距 Pitch [mm]	5.08		
极数 Poles [P]	02~XX		
剥线长度 Stripping Length [mm]	10		
螺丝 Screw/扭矩 Torque(Max) [N.m]	-		
工作温度 Operating temperatur [°C]	-40~105		
引针尺寸 Pin Dimensions [mm]	3.8		
PCB板孔径 PCB Hole Diameter [mm]	1.30		

DES.	SJD	DATE	21.10.09
CHK.	BY	DATE	21.10.09
APP.	CLF	DATE	21.10.09

单位/UNITS mm 尺寸/SIZE A4 比例/SCALE 1:1

第三视角/THIRD ANGLE PROJECTION

名称/TITLE

KEFA® 慈溪市科发电子有限公司
CIXI KEFA ELECTRONIC CO., LTD

版本/REV	A
名称/TITLE	KF144-5.08