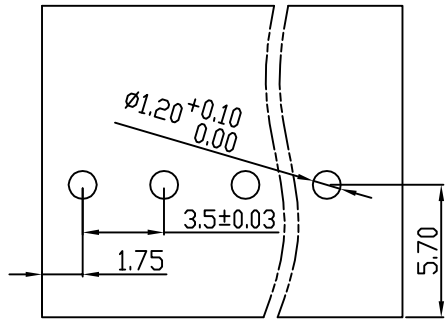
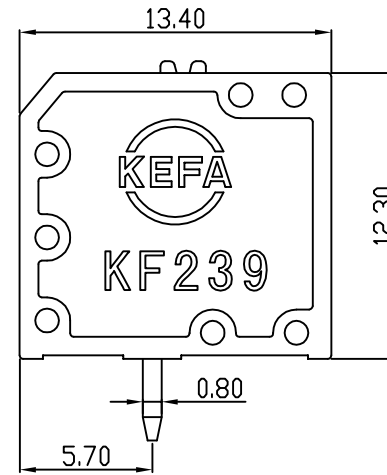
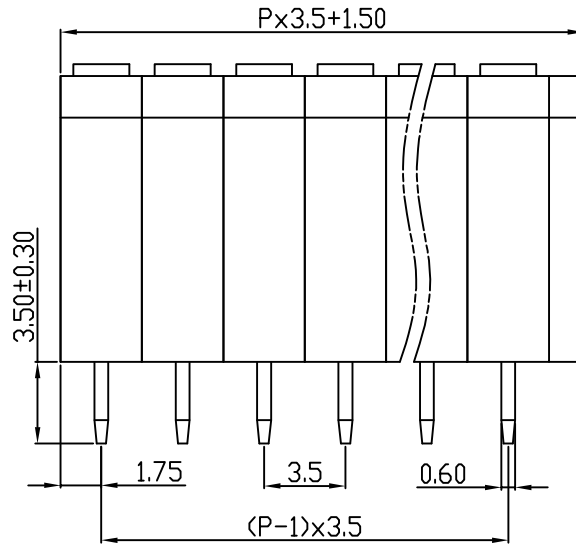
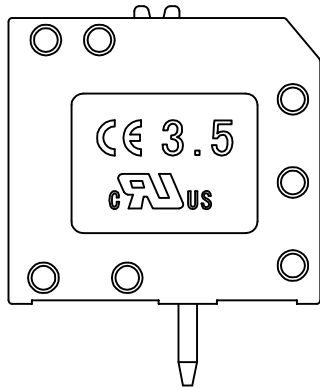
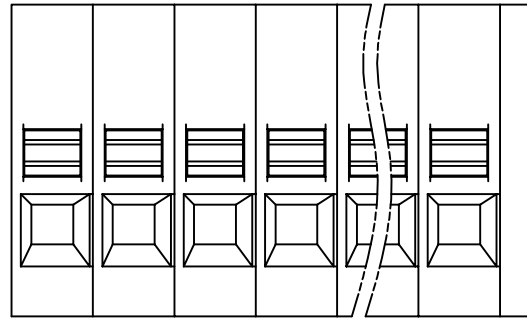


linear dimension(Tolerances Standard GB/T 14486-2008)								—	\square	\perp
variable range	to	over 6	over 10	over 30	over 60	over 100	over 160	to	over 10	over 100
	6	to 10	to 30	to 60	to 100	to 160	to	to 10	to 100	to
tolerance	± 0.20	± 0.30	± 0.50	± 0.70	± 1.00	± 1.30	± 1.60	0.10	0.30	0.60



PCB Layout



REVISION RECORD				
REV.	DESCRIPTION	ECN No.	APPROVED	DATE
A	新发行		CLF	21.10.28

UL/CUL 技术参数				
UL/CUL Technical Data				
等级	Use Group	B	C	D
额定电压	Rated Voltage [V]	300	-	300
额定电流	Rated Current [A]	6	-	10
接线范围	Wire Range	28-14		
单/多芯线	Solid/Stranded [AWG]	28-14		
耐电压	Withstanding Voltage	1600V/1Min		
IEC 技术参数				
IEC Technical Data				
过电压类别	Overvoltage Category	III	III	II
污染等级	Contamination Class	3	2	2
额定电压	Rated Voltage [V]	160	160	320
额定电流	Rated Current [A]	6	6	6
额定冲击电压	Impulse withstand voltage [KV]	2.5	2.5	2.5
导线截面积	Conductor cross section	1.5		
硬质/柔性导线	Solid/flexible [mm ²]	1.5		
材料				
绝缘材料	Insulation Material	PA66		
阻燃等级	Inflammability	UL94V-0		
导体材料	Contacting Material	铜合金 Copper alloy		
导体表面镀层	Contactive Coating	镀锡 Tin Plated		
一般参数				
间距	Pitch [mm]	3.5		
极数	Poles [P]	01-XX		
剥线长度	Stripping Length [mm]	9-10		
螺丝	Screw/扭矩 Torque(Max) [N.m]	-		
工作温度	Operating temperatur [°C]	-40~+105		
引针尺寸	Pin Dimensions [mm]	3.5		
PCB板孔径	PCB Hole Diameter [mm]	1.2		

DES.	SJD	DATE	21.10.28
CHK.	BY	DATE	21.10.28
APP.	CLF	DATE	21.10.28

单位/UNITS mm 尺寸/SIZE A4 比例/SCALE 1:1 第三视角/THIRD ANGLE PROJECTION

KEFA 慈溪市科发电子有限公司
CIXI KEFA ELECTRONIC CO., LTD

名称/TITLE	KF239-3.5
版本/REV	A