

INTERNATIONAL
STANDARD

ISO
10664

Third edition
2014-10-01

**Hexalobular internal driving feature
for bolts and screws**

Empreinte à six lobes internes pour vis



Reference number
ISO 10664:2014(E)

© ISO 2014

宁波市镇海区质量技术监督局检测中心



COPYRIGHT PROTECTED DOCUMENT

© ISO 2014

All rights reserved. Unless otherwise specified, no part of this publication may be reproduced or utilized otherwise in any form or by any means, electronic or mechanical, including photocopying, or posting on the internet or an intranet, without prior written permission. Permission can be requested from either ISO at the address below or ISO's member body in the country of the requester.

ISO copyright office
Case postale 56 • CH-1211 Geneva 20
Tel. + 41 22 749 01 11
Fax + 41 22 749 09 47
E-mail copyright@iso.org
Web www.iso.org

Published in Switzerland

Contents

	Page
Foreword	iv
1 Scope	1
2 Basic dimensions	1
3 Gauging	2
3.1 Principle	2
3.2 GO gauge	3
3.3 NO GO gauge	5
4 Designation	7
Annex A (informative) Representation of hexalobular internal driving feature contour	8

Foreword

ISO (the International Organization for Standardization) is a worldwide federation of national standards bodies (ISO member bodies). The work of preparing International Standards is normally carried out through ISO technical committees. Each member body interested in a subject for which a technical committee has been established has the right to be represented on that committee. International organizations, governmental and non-governmental, in liaison with ISO, also take part in the work. ISO collaborates closely with the International Electrotechnical Commission (IEC) on all matters of electrotechnical standardization.

The procedures used to develop this document and those intended for its further maintenance are described in the ISO/IEC Directives, Part 1. In particular the different approval criteria needed for the different types of ISO documents should be noted. This document was drafted in accordance with the editorial rules of the ISO/IEC Directives, Part 2 (see www.iso.org/directives).

Attention is drawn to the possibility that some of the elements of this document may be the subject of patent rights. ISO shall not be held responsible for identifying any or all such patent rights. Details of any patent rights identified during the development of the document will be in the Introduction and/or on the ISO list of patent declarations received (see www.iso.org/patents).

Any trade name used in this document is information given for the convenience of users and does not constitute an endorsement.

For an explanation on the meaning of ISO specific terms and expressions related to conformity assessment, as well as information about ISO's adherence to the WTO principles in the Technical Barriers to Trade (TBT) see the following URL: [Foreword - Supplementary information](#)

The committee responsible for this document is ISO/TC 2, *Fasteners*, Subcommittee SC 11, *Fasteners with metric external thread*.

This third edition cancels and replaces the second edition (ISO 10664:2005), which has been technically revised with the following changes:

- several sizes of the driving feature have been added with respective values in [Tables 1 to 5](#).

Hexalobular internal driving feature for bolts and screws

1 Scope

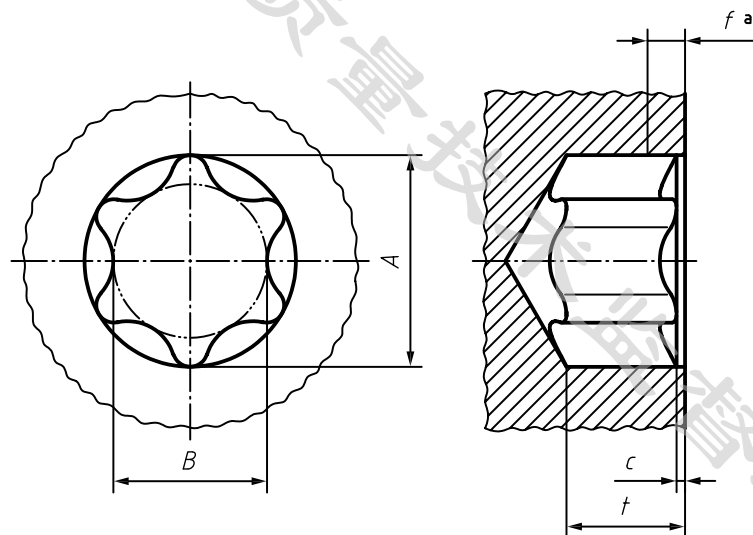
This International Standard specifies the shape and basic dimensions of the hexalobular internal driving feature for bolts and screws, including the gauging method.

The curvature of the contour of the hexalobular internal driving feature is defined by the gauges specified in [Tables 3, 4, and 5](#). Additional information which can be used when drawing the contour is given in [Annex A](#).

The intent of this International Standard is to provide the details necessary for inspection of the hexalobular driving feature. It is not suitable for, nor intended to be used as, a manufacturing standard.

2 Basic dimensions

See [Figure 1](#) and [Table 1](#).



Counterbore: $c \leq 0,13$ mm up to socket no. 15

$c \leq 0,25$ mm over socket no. 15

Penetration depth, t : see relevant product standard.

^a See [Table 2](#).

NOTE The contour of the bottom of the socket beyond the gauge is at the option of the manufacturer.

Figure 1 — Basic dimensions

Table 1 — Basic dimensions

Dimensions in millimetres

Hexalobular socket no.	Nominal dimensions ^a	
	<i>A</i>	<i>B</i>
1	0,9	0,6
2	1,0	0,7
3	1,2	0,85
4	1,35	1,0
5	1,5	1,1
6	1,75	1,27
7	2,1	1,5
8	2,4	1,75
9	2,6	1,9
10	2,8	2,05
15	3,35	2,4
20	3,95	2,85
25	4,5	3,25
27	5,1	3,68
30	5,6	4,05
40	6,75	4,85
45	7,93	5,64
50	8,95	6,45
55	11,35	8,05
60	13,45	9,6
70	15,7	11,2
80	17,75	12,8
90	20,2	14,4
100	22,4	16

^a The curvature of the contour of the hexalobular internal driving feature is defined by the gauges specified in [Tables 3, 4, and 5](#).

3 Gauging

3.1 Principle

The hexalobular internal driving feature shall allow the GO gauge (see [3.2](#)) to enter freely to the penetration depth, *t*, as specified in the relevant product standards.

The NO GO gauges (see [3.3.1](#) and [3.3.2](#)) shall not enter the hexalobular internal driving feature to a depth greater than the fallaway allowance specified in [Table 2](#).

Table 2 — Fallaway allowance

Dimensions in millimetres

Socket no.	1	2	3	4	5	6	7	8	9	10	15	20
Falloway allowance <i>f</i>	0,064	0,070	0,114	0,13	0,22	0,35	0,41	0,48	0,51	0,56	0,67	0,79
Socket no.	25	27	30	40	45	50	55	60	70	80	90	100
Falloway allowance <i>f</i>	0,90	1,02	1,12	1,18	1,39	1,56	1,98	2,35	2,75	3,11	3,53	3,92

All gauging is performed with reference to the top surface of the head. In the case of oval or round top heads, measurements are taken from the actual intersection of the top surface of the head and the hexalobular internal driving feature counterbore.

When using a dial penetration gauge, this should be adjusted to zero while the gauge is pressed against a flat surface, thereby compressing the plunger to make it flush with the gauge reference surface (see [Figure 2](#)).

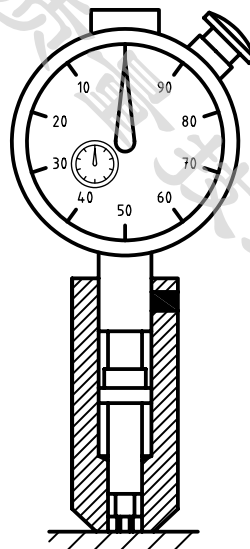
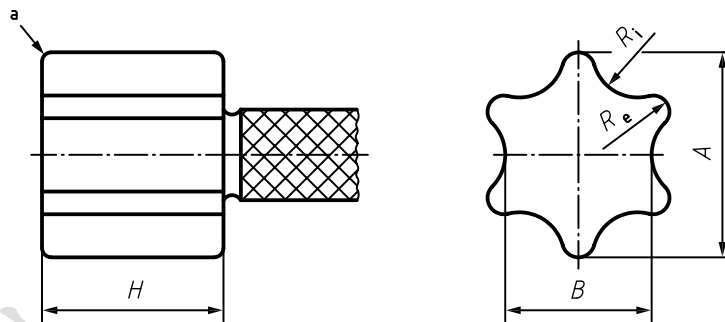


Figure 2 — Dial gauge (zero position)

3.2 GO gauge

The GO gauge dimensions (see [Figure 3](#)) shall be within the limits specified in [Table 3](#).



- a Radius max. 0,076 mm at juncture of side and face to gauge sizes \geq no. 10 and max. 0,025 4 mm for gauge sizes $<$ no. 10.

Figure 3 — Dimensions of GO gauge

Table 3 — Limiting sizes of GO gauge dimensions

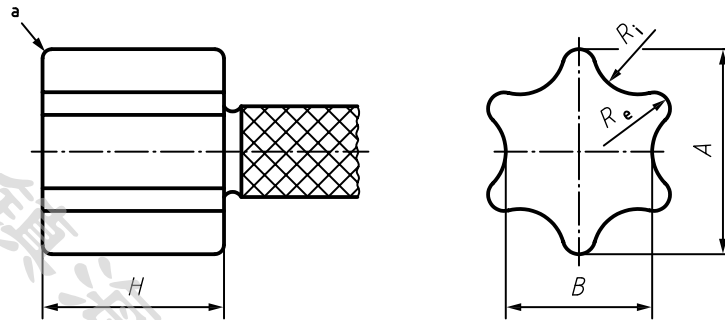
Dimensions in millimetres

Socket no.	A		B		R_i		R_e		H	
	min.	max.	min.	max.	min.	max.	min.	max.	min.	max.
1	0,841	0,855	0,592	0,607	0,198	0,204	0,055	0,062	0,64	1,14
2	0,953	0,967	0,674	0,688	0,221	0,227	0,065	0,072	1,15	1,65
3	1,131	1,145	0,800	0,815	0,263	0,270	0,078	0,085	1,15	1,65
4	1,291	1,305	0,912	0,927	0,305	0,312	0,087	0,093	1,15	1,65
5	1,415	1,430	1,013	1,028	0,318	0,342	0,107	0,111	1,15	1,65
6	1,695	1,709	1,210	1,224	0,371	0,396	0,130	0,134	1,33	1,82
7	2,012	2,026	1,437	1,453	0,442	0,450	0,157	0,165	2,54	3,05
8	2,335	2,349	1,672	1,686	0,498	0,523	0,188	0,193	2,54	3,05
9	2,520	2,534	1,809	1,823	0,542	0,566	0,204	0,210	2,79	3,30
10	2,761	2,776	1,979	1,993	0,585	0,609	0,227	0,231	3,05	3,56
15	3,295	3,309	2,353	2,367	0,704	0,728	0,265	0,269	3,30	3,81
20	3,879	3,893	2,764	2,778	0,846	0,871	0,303	0,307	3,56	4,07
25	4,451	4,465	3,170	3,185	0,907	0,932	0,371	0,378	3,94	4,45
27	5,009	5,024	3,564	3,578	1,095	1,120	0,387	0,393	4,19	4,70
30	5,543	5,557	3,958	3,972	1,182	1,206	0,448	0,454	4,44	4,95
40	6,673	6,687	4,766	4,780	1,415	1,440	0,544	0,548	5,08	5,59
45	7,841	7,856	5,555	5,570	1,784	1,808	0,572	0,576	5,71	6,22
50	8,857	8,872	6,366	6,380	1,804	1,828	0,773	0,777	5,97	6,48
55	11,245	11,259	7,930	7,945	2,657	2,682	0,765	0,769	6,22	6,73
60	13,302	13,317	9,490	9,504	2,871	2,895	1,065	1,069	7,68	8,17
70	15,588	15,603	11,085	11,099	3,465	3,489	1,192	1,196	8,46	8,96
80	17,619	17,635	12,646	12,661	3,625	3,629	1,524	1,529	9,4	9,9
90	20,021	20,035	14,232	14,246	4,456	4,480	1,527	1,534	10,06	10,56
100	22,231	22,245	15,820	15,834	4,913	4,937	1,718	1,724	10,85	11,35

3.3 NO GO gauge

3.3.1 Gauging the fallaway of dimensions A and R_e

The NO GO gauge for dimensions A and R_e (see [Figure 4](#)) shall have dimensions within the limits specified in [Table 4](#).



- a Radius max. 0,076 mm at juncture of side and face for gauge sizes \geq no. 10 and max. 0,025 4 mm for gauge sizes $<$ no. 10.

Figure 4 — NO GO gauge for dimensions A and R_e

Table 4 — Limiting sizes of dimensions of NO GO gauge for dimensions A and R_e

Dimensions in millimetres

Socket no.	A		B	R_i		R_e		H
	min.	max.	max.	min.	max.	min.	max.	$\pm 0,25$
1	0,899	0,907	0,587	0,107	0,114	0,084	0,094	0,89
2	1,011	1,019	0,663	0,124	0,132	0,094	0,104	1,4
3	1,214	1,222	0,790	0,137	0,145	0,119	0,130	1,4
4	1,374	1,382	0,917	0,180	0,191	0,132	0,140	1,4
5	1,499	1,506	1,044	0,208	0,221	0,147	0,157	1,4
6	1,778	1,785	1,181	0,231	0,241	0,173	0,180	1,57
7	2,096	2,103	1,359	0,259	0,267	0,203	0,211	2,8
8	2,419	2,425	1,664	0,360	0,370	0,231	0,238	2,79
9	2,604	2,611	1,664	0,323	0,333	0,248	0,257	3,05
10	2,845	2,852	1,956	0,431	0,441	0,269	0,276	3,3
15	3,379	3,385	1,956	0,398	0,408	0,307	0,315	3,56
20	3,963	3,970	2,616	0,602	0,614	0,345	0,353	3,81
25	4,560	4,566	2,868	0,637	0,647	0,429	0,436	4,19
27	5,118	5,126	3,275	0,735	0,747	0,445	0,452	4,45
30	5,652	5,659	3,886	0,939	0,949	0,505	0,513	4,7
40	6,807	6,814	4,661	1,112	1,125	0,612	0,619	5,33
45	7,976	7,983	4,661	1,110	1,123	0,640	0,648	5,97
50	8,992	8,999	6,413	1,628	1,640	0,840	0,848	6,22
55	11,405	11,412	7,684	2,176	2,189	0,845	0,853	6,48
60	13,488	13,495	7,684	2,153	2,164	1,158	1,165	7,92
70	15,774	15,781	10,262	2,545	2,557	1,285	1,292	8,71
80	17,831	17,838	11,760	2,608	2,621	1,628	1,635	9,52

Table 4 (continued)

Socket no.	A		B	R _i		R _e		H
	min.	max.	max.	min.	max.	min.	max.	±0,25
90	20,257	20,264	12,827	3,111	3,121	1,648	1,656	10,31
100	22,467	22,473	15,240	4,006	4,018	1,839	1,847	11,10

3.3.2 Gauging the fallaway of dimension B

See [Figure 5](#).

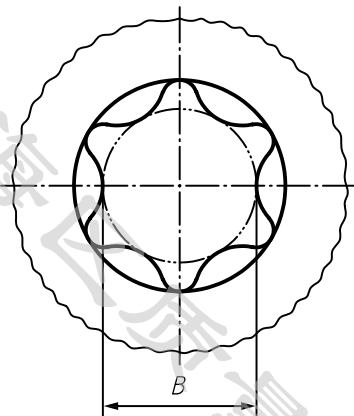


Figure 5 — Cylindrical zone to be gauged

A cylindrical NO GO gauge with diameter as specified in [Table 5](#) shall not enter the hexalobular internal driving feature to a depth greater than the fallaway allowance specified in [Table 2](#).

Table 5 — Diameter of cylindrical NO GO gauge for dimension B

Dimensions in millimetres

Socket no.	Diameter of cylindrical NO GO gauge	
	min.	max.
1	0,720	0,725
2	0,810	0,815
3	0,960	0,965
4	1,100	1,105
5	1,200	1,205
6	1,440	1,445
7	1,710	1,715
8	1,920	1,925
9	2,140	2,145
10	2,280	2,285
15	2,760	2,765
20	3,280	3,285
25	3,720	3,725
27	4,260	4,265
30	4,660	4,665
40	5,600	5,605

Table 5 (continued)

Socket no.	Diameter of cylindrical NO GO gauge	
	min.	max.
45	6,660	6,665
50	7,380	7,385
55	9,660	9,665
60	11,340	11,345
70	13,340	13,345
80	14,920	14,925
90	17,160	17,165
100	19,020	19,025

4 Designation

The designation shall make reference to this International Standard and the socket number.

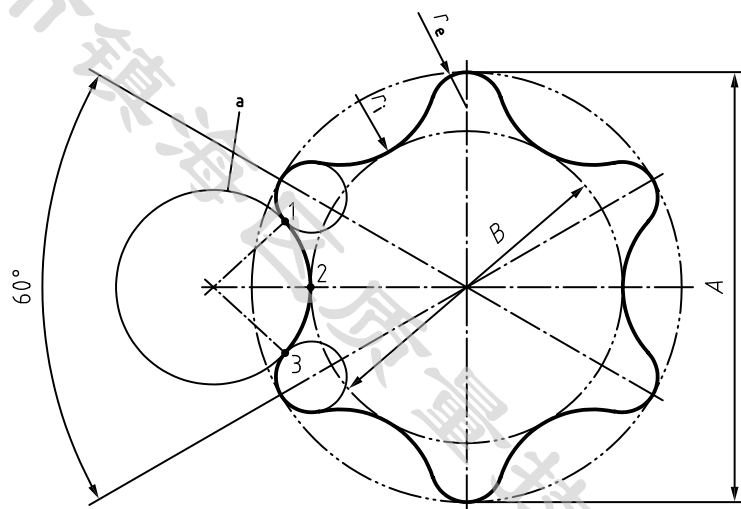
EXAMPLE A hexalobular internal driving feature, socket no. 20, is designated as follows:

Hexalobular internal driving feature ISO 10664 - 20

Annex A (informative)

Representation of hexalobular internal driving feature contour

The correlations of dimensions given in [Figure A.1](#) are intended to support the drawing of the driving feature only, e.g. when using a CAD system.



Key

- B approximately $0,72 A$
- r_e approximately $0,1 A$
- r_i approximately $0,175 A$
- a The circle is tangential to the socket contour at points 1, 2, and 3.

Figure A.1 — Representation of hexalobular internal driving feature

宁波市镇海区质量技术监督检测中心

宁波市镇海区质量技术监督检测中心

ICS 21.060.10

Price based on 8 pages

© ISO 2014 – All rights reserved

International Organization for Standardization
Provided by IHS under license with ISO
No reproduction or networking permitted without license from IHS

Licensee=Zhejiang Institute of Standardization 5956617
Not for Resale, 2015/5/13 07:49:35