
**Metallic materials — Tube —
Flanging test**

Matériaux métalliques — Tubes — Essai de rabatement de collerette



Reference number
ISO 8494:2013(E)

© ISO 2013

宁波宁海区质量技术监督检测中心



COPYRIGHT PROTECTED DOCUMENT

© ISO 2013

All rights reserved. Unless otherwise specified, no part of this publication may be reproduced or utilized otherwise in any form or by any means, electronic or mechanical, including photocopying, or posting on the internet or an intranet, without prior written permission. Permission can be requested from either ISO at the address below or ISO's member body in the country of the requester.

ISO copyright office
Case postale 56 • CH-1211 Geneva 20
Tel. + 41 22 749 01 11
Fax + 41 22 749 09 47
E-mail copyright@iso.org
Web www.iso.org

Published in Switzerland

Contents

	Page
Foreword.....	iv
1 Scope.....	1
2 Symbols, designations and units.....	1
3 Principle.....	2
4 Testing equipment.....	2
5 Test piece.....	2
6 Procedure.....	2
7 Test report.....	3

.....

Foreword

ISO (the International Organization for Standardization) is a worldwide federation of national standards bodies (ISO member bodies). The work of preparing International Standards is normally carried out through ISO technical committees. Each member body interested in a subject for which a technical committee has been established has the right to be represented on that committee. International organizations, governmental and non-governmental, in liaison with ISO, also take part in the work. ISO collaborates closely with the International Electrotechnical Commission (IEC) on all matters of electrotechnical standardization.

The procedures used to develop this document and those intended for its further maintenance are described in the ISO/IEC Directives, Part 1. In particular the different approval criteria needed for the different types of ISO documents should be noted. This document was drafted in accordance with the editorial rules of the ISO/IEC Directives, Part 2. www.iso.org/directives

Attention is drawn to the possibility that some of the elements of this document may be the subject of patent rights. ISO shall not be held responsible for identifying any or all such patent rights. Details of any patent rights identified during the development of the document will be in the Introduction and/or on the ISO list of patent declarations received. www.iso.org/patents

Any trade name used in this document is information given for the convenience of users and does not constitute an endorsement.

The committee responsible for this document is ISO/TC 164, *Mechanical testing of metals*, Subcommittee SC 2, *Ductility testing*.

This third edition cancels and replaces the second edition (ISO 8494:1998), of which it constitutes a minor revision.

Metallic materials — Tube — Flanging test

1 Scope

This International Standard specifies a method for determining the ability of metallic tubes of circular cross-section to undergo plastic deformation during flange formation.

This International Standard is intended for tubes having an outside diameter no greater than 150 mm and a wall thickness no greater than 10 mm, although the range of diameters or wall thickness for which this International Standard is applicable may be more exactly specified in the relevant product standard.

2 Symbols, designations and units

Symbols, designations and units for the flanging test of tubes are given in [Table 1](#) and are shown in [Figure 1](#).

Table 1

Symbol	Designation	Unit
a^a	Wall thickness of the tube	mm
D	Original outside diameter of the tube	mm
D_u	Maximum outside diameter of the flange	mm
L	Length of the test piece before the test	mm
R	Corner radius of the flanging tool	mm
b	Angle of the conical mandrel	degree

^a The symbol T is also used in steel tube standards..

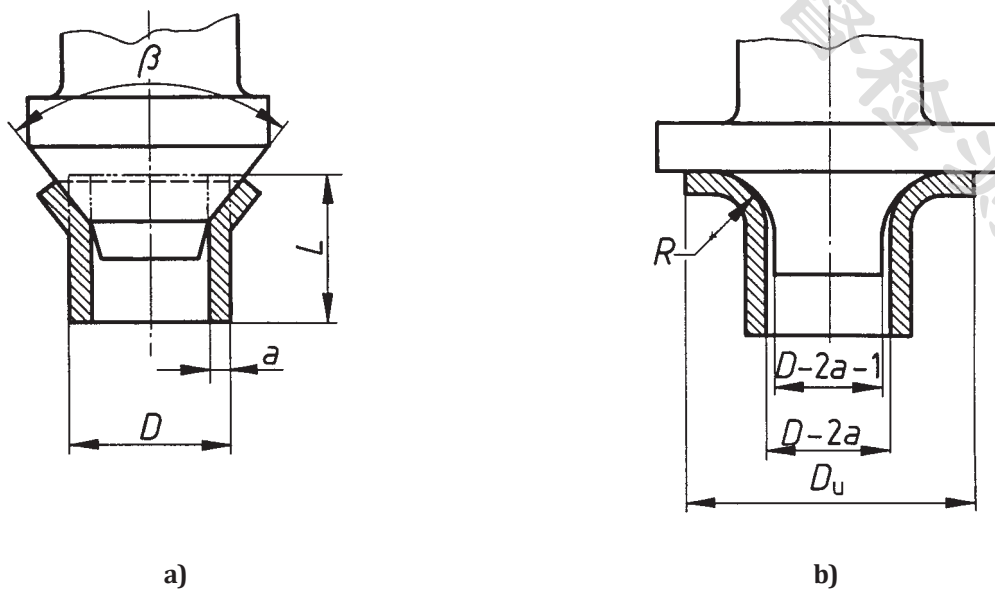


Figure 1

3 Principle

Forming of a flange on the end of a test piece cut from the tube, in a plane perpendicular to the axis of the tube, until the external diameter of the flange reaches the value specified in the relevant product standard.

4 Testing equipment

4.1 Variable-speed press or universal testing machine.

4.2 Forming equipment, made of polished material of sufficient hardness, consisting of

- a) a conical mandrel having a suitable angle (generally 90°);
- b) a flanging tool having
 - a cylindrical end of a diameter 1 mm less than the inside diameter of the tube,
 - a flat concentric portion, perpendicular to the axis of the flanging tool, and having a diameter no less than the required diameter of the flange;
- c) a supporting die, which may be used to support the tube during the formation of the flange.

5 Test piece

5.1 The length of the test piece shall be approximately $1,5D$. The test piece may be shorter provided that the remaining cylindrical part of the test piece after flanging is at least $0,5D$.

5.2 Both ends of the test piece shall be in the plane perpendicular to the axis of the tube. The edges of the end to be tested may be rounded by filing or chamfered by other methods.

NOTE Non-rounded or non-chamfered edges are permissible if the test result meets the test requirements.

5.3 When welded tubes are subjected to the test, the internal welded flash may be removed.

6 Procedure

6.1 In general, the test shall be carried out at ambient temperature within the limits of 10 °C to 35 °C. The test carried out under controlled conditions shall be made at a temperature of $23\text{ °C} \pm 5\text{ °C}$.

6.2 Preform the test piece by forcing the conical mandrel into one end of the test piece until the diameter of the drifted test piece is such that a flange having the specified diameter (D_{fl}) can be formed [see [Figure 1 a](#)].

6.3 Remove the conical mandrel and, if the piece is not already cracked, replace it with the flanging tool [see [Figure 1 b](#)].

6.4 Form the flange by applying axial force to the test piece until the drifted portion has formed a flange of the required diameter perpendicular to the axis of the test piece.

6.5 The conical mandrel may be lubricated. The conical mandrel shall not rotate relative to the test piece during the test.

6.6 In case of dispute, the rate of movement of the forming tools shall not exceed 50 mm/min.

6.7 The diameter of the flange (D_u) and the radius R shall be as specified in the relevant product standard.

6.8 Interpretation of the flanging test shall be carried out in accordance with the requirements of the relevant product standard. When these requirements are not specified, the test piece shall be considered to have passed the test if no cracks are visible without the use of magnifying aids. Slight cracking at the edges shall not be considered a cause for rejection.

7 Test report

A test report shall be provided when so specified in the relevant product standard. In this case, the test report shall include at least the following information:

- a) a reference to this International Standard, i.e. ISO 8494;
- b) identification of the test piece;
- c) dimensions of the test piece;
- d) maximum outside diameter of the expanded part of the test piece, D_u , or relative expansion as a percentage of the original diameter, D ;
- e) corner radius R of the flanging tool, when relevant;
- f) result of the test.

宁波市镇海区质量技术监督检测中心

ICS 77.040.10

Price based on 3 pages